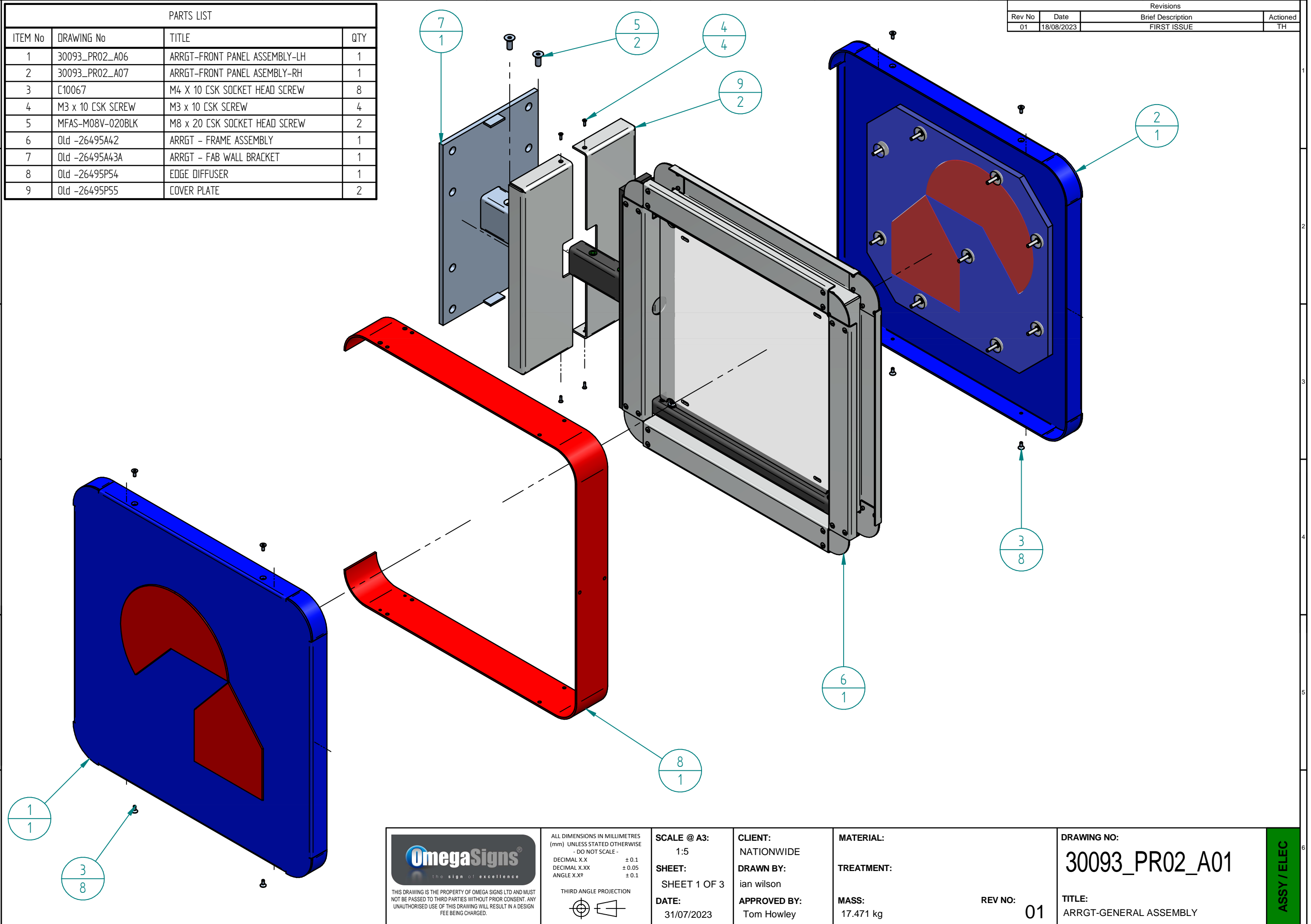


PARTS LIST			
ITEM No	DRAWING No	TITLE	QTY
1	30093_PRO2_A06	ARRGT-FRONT PANEL ASSEMBLY-LH	1
2	30093_PRO2_A07	ARRGT-FRONT PANEL ASEMBLY-RH	1
3	C10067	M4 X 10 CSK SOCKET HEAD SCREW	8
4	M3 x 10 CSK SCREW	M3 x 10 CSK SCREW	4
5	MFAS-M08V-020BLK	M8 x 20 CSK SOCKET HEAD SCREW	2
6	Old -26495A42	ARRGT - FRAME ASSEMBLY	1
7	Old -26495A43A	ARRGT - FAB WALL BRACKET	1
8	Old -26495P54	EDGE DIFFUSER	1
9	Old -26495P55	COVER PLATE	2

Revisions		
Rev No	Date	Brief Description
01	18/08/2023	FIRST ISSUE



OmegaSigns
the sign of excellence

THIS DRAWING IS THE PROPERTY OF OMEGA SIGNS LTD AND MUST NOT BE PASSED TO THIRD PARTIES WITHOUT PRIOR CONSENT. ANY UNAUTHORISED USE OF THIS DRAWING WILL RESULT IN A DESIGN FEE BEING CHARGED.

ALL DIMENSIONS IN MILLIMETRES (mm) UNLESS STATED OTHERWISE - DO NOT SCALE -
 DECIMAL X.X ± 0.1
 DECIMAL X.XX ± 0.05
 ANGLE X.Xº ± 0.1

THIRD ANGLE PROJECTION

SCALE @ A3: 1:5
 SHEET: SHEET 1 OF 3
 DATE: 31/07/2023

CLIENT: NATIONWIDE
 DRAWN BY: ian wilson
 APPROVED BY: Tom Howley

MATERIAL:
 TREATMENT:
 MASS: 17.471 kg

REV NO: 01

DRAWING NO: 30093_PRO2_A01
 TITLE: ARRGT-GENERAL ASSEMBLY

ASSY / ELEC