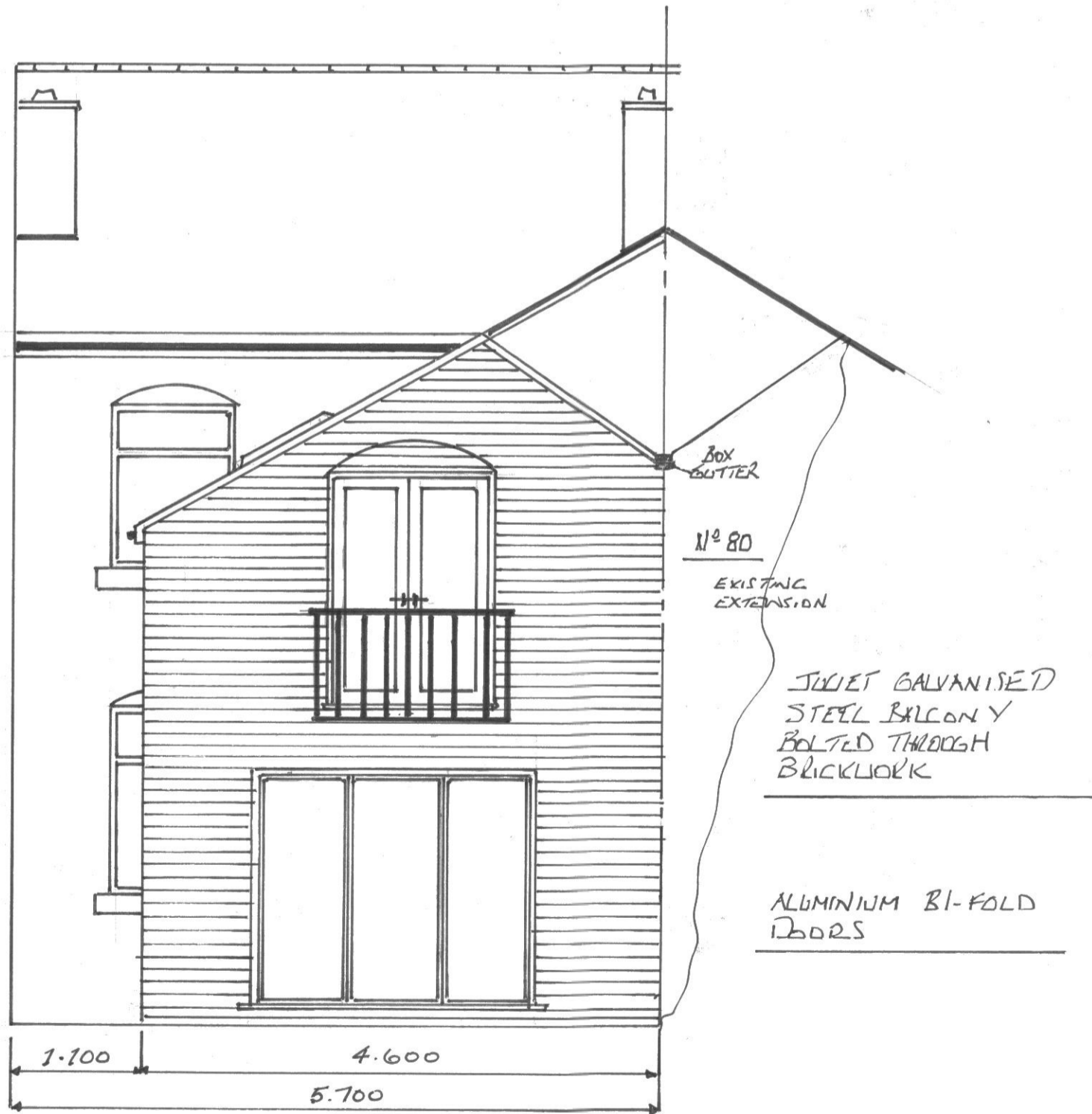
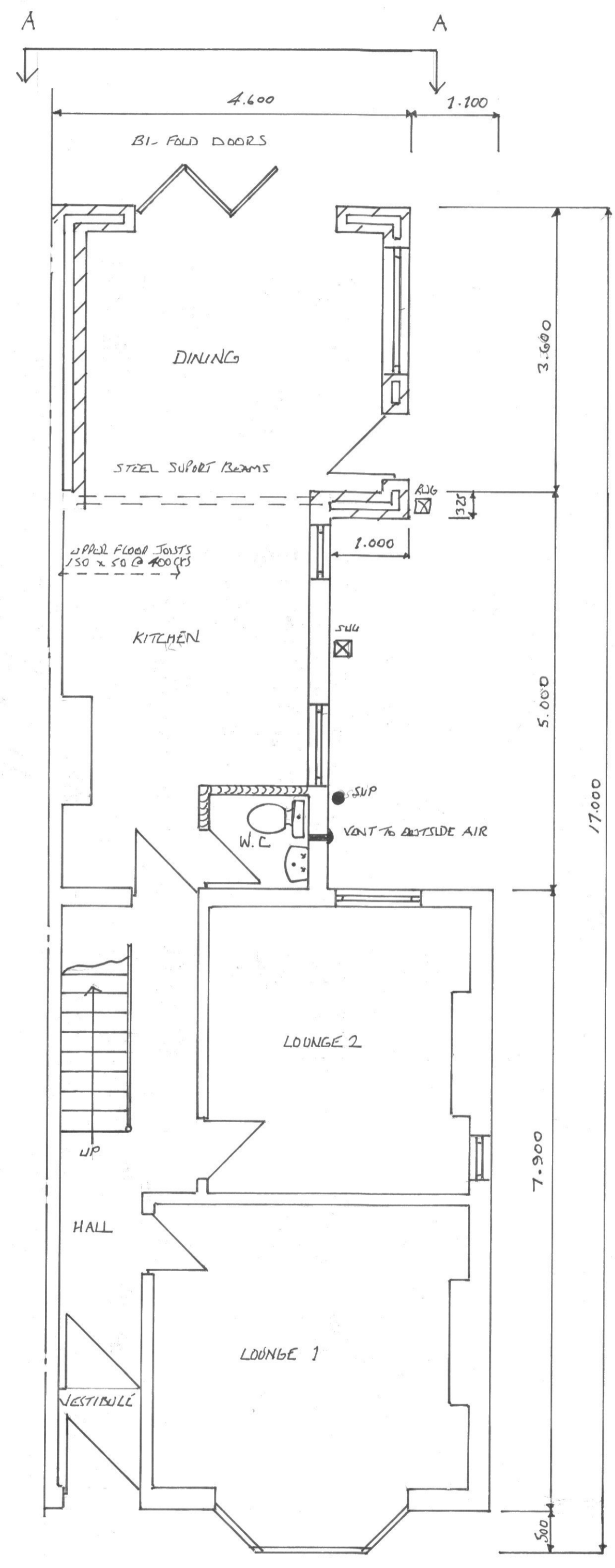




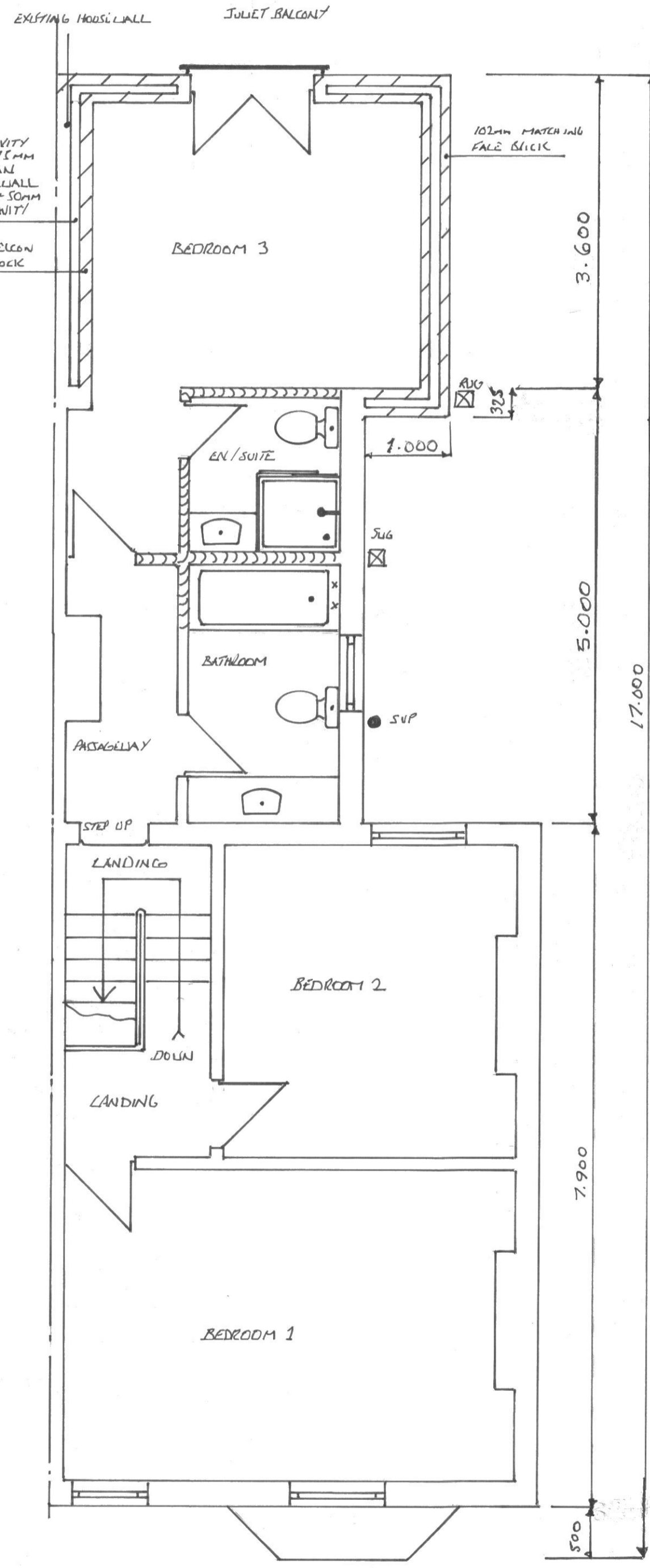
PROPOSED FRONT ELEVATION



PROPOSED REAR ELEVATION

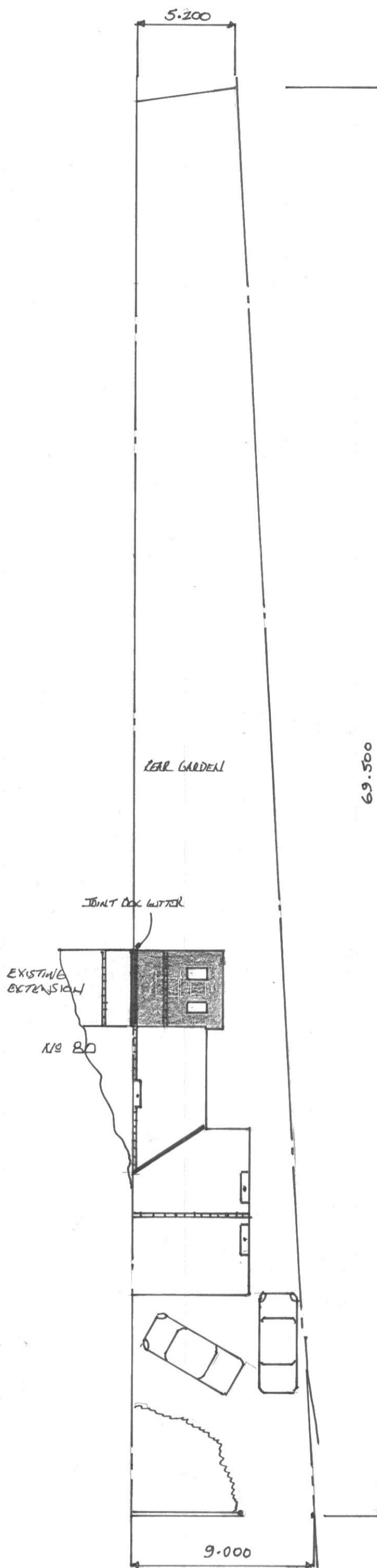


PROPOSED GROUND FLOOR PLAN

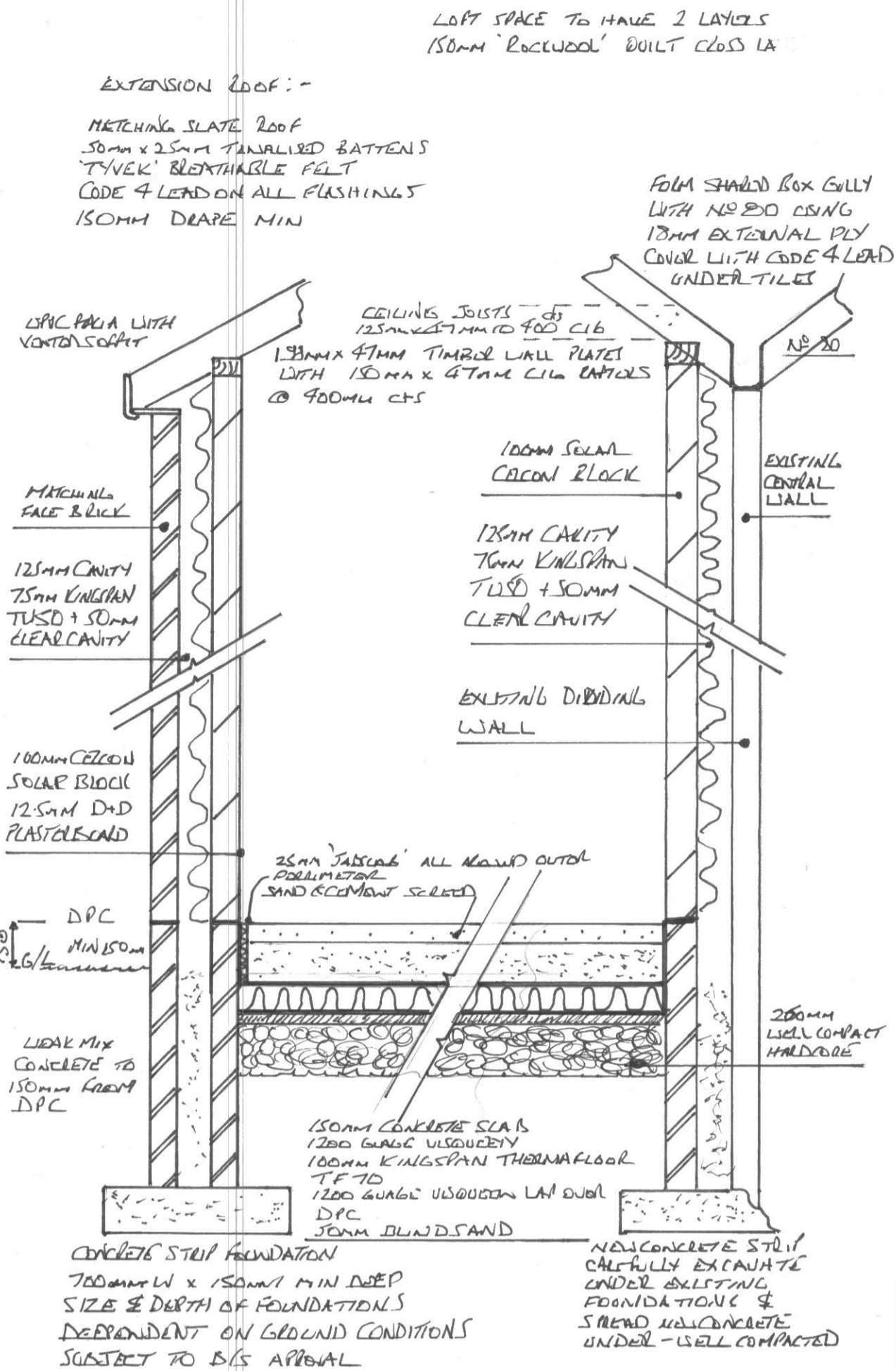


PROPOSED 1ST FLOOR PLAN

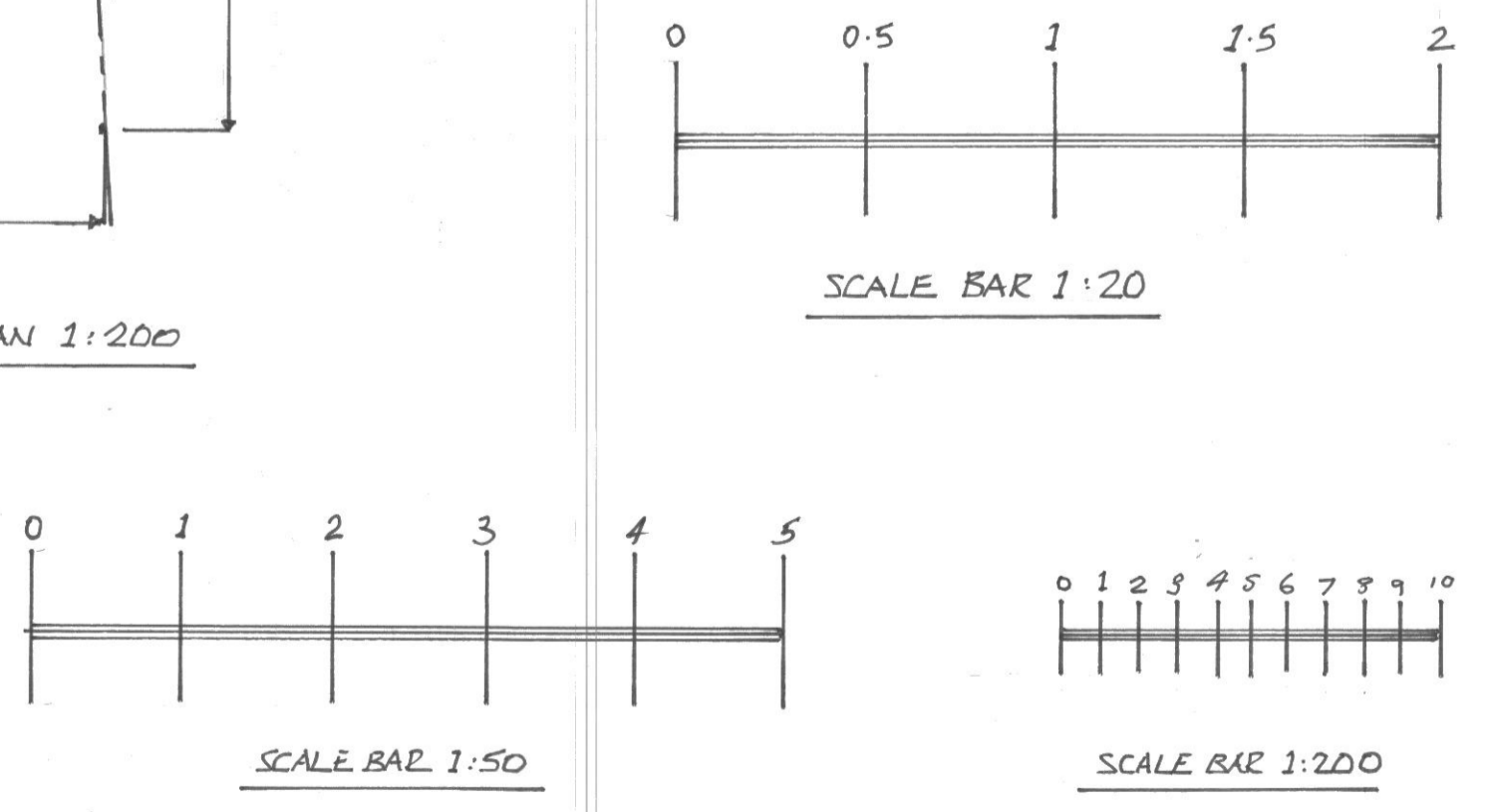
NOTE :-
 NEW UPPER FLOOR JOISTS TO RUN SIDE TO SIDE
 150MM x 47MM C24 @ 400 C/P TO HAVE SAME
 HEIGHT FOR KITCHEN CEILING @ ABOVE FLOOR
 LEVEL



PROPOSED BACK PLAN 1:200



CROSS SECTION A-A SCALE 1:20



NEIL JONES	DWG N° 1710	SCALE 1:50 - 1:200	OCTOBER 2023
PROPOSED DEMOLITION OF OUTBUILDINGS & TO BUILD TWO STOREY REAR EXTENSION			
MRS PAULA LEVER 78 SOUTHPORT ROAD ORMSKIRK L39 1LX			

