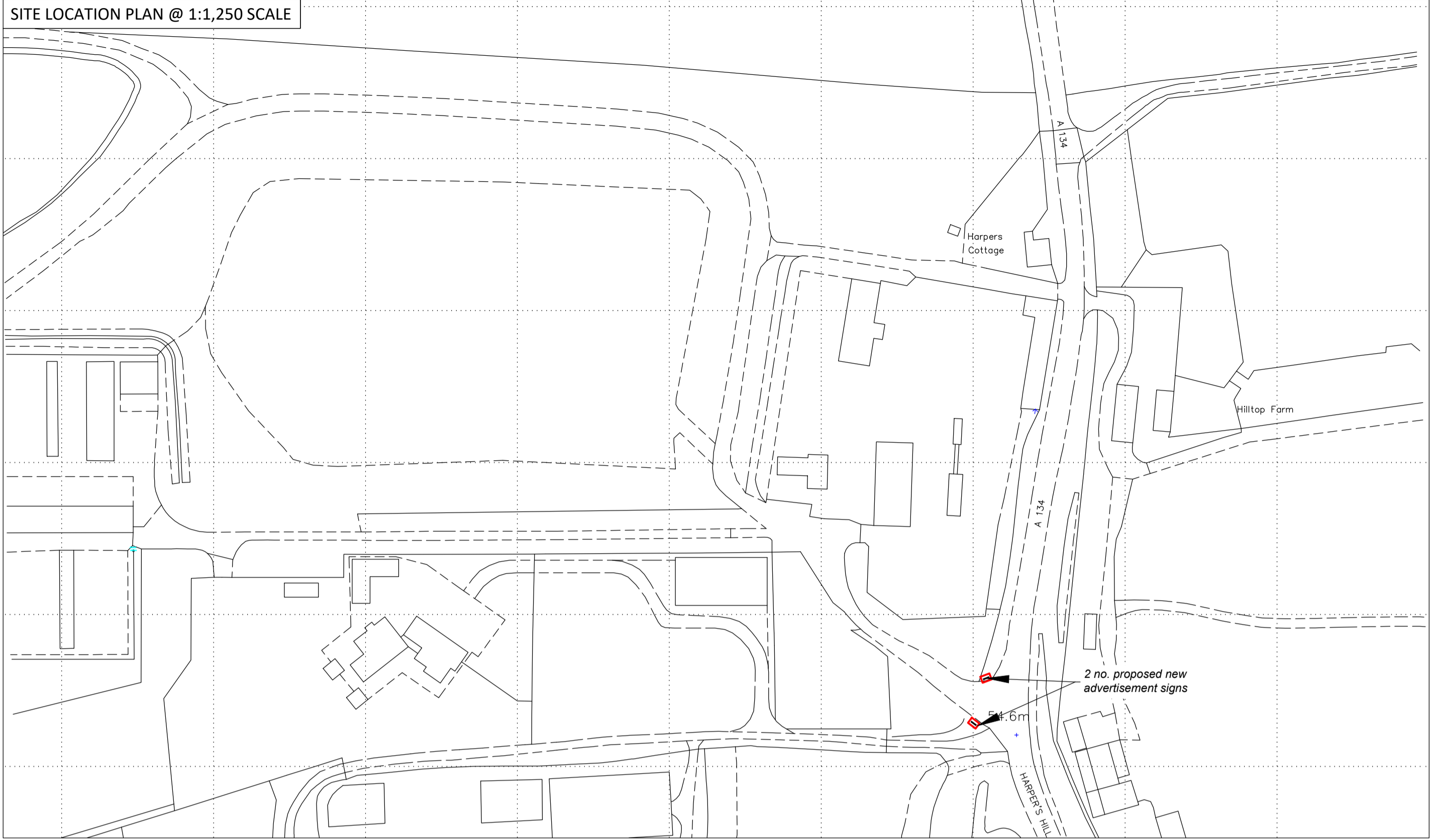
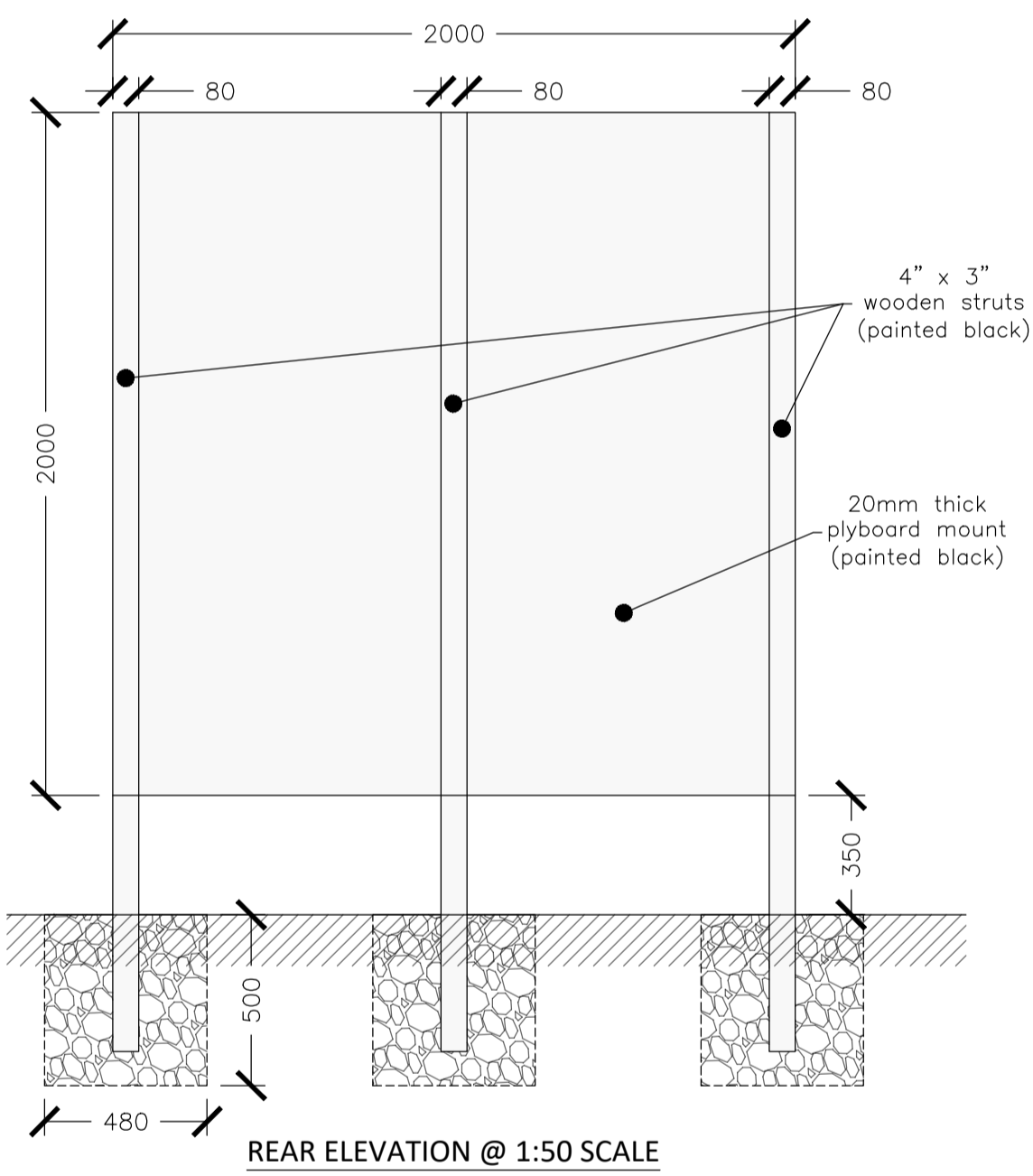


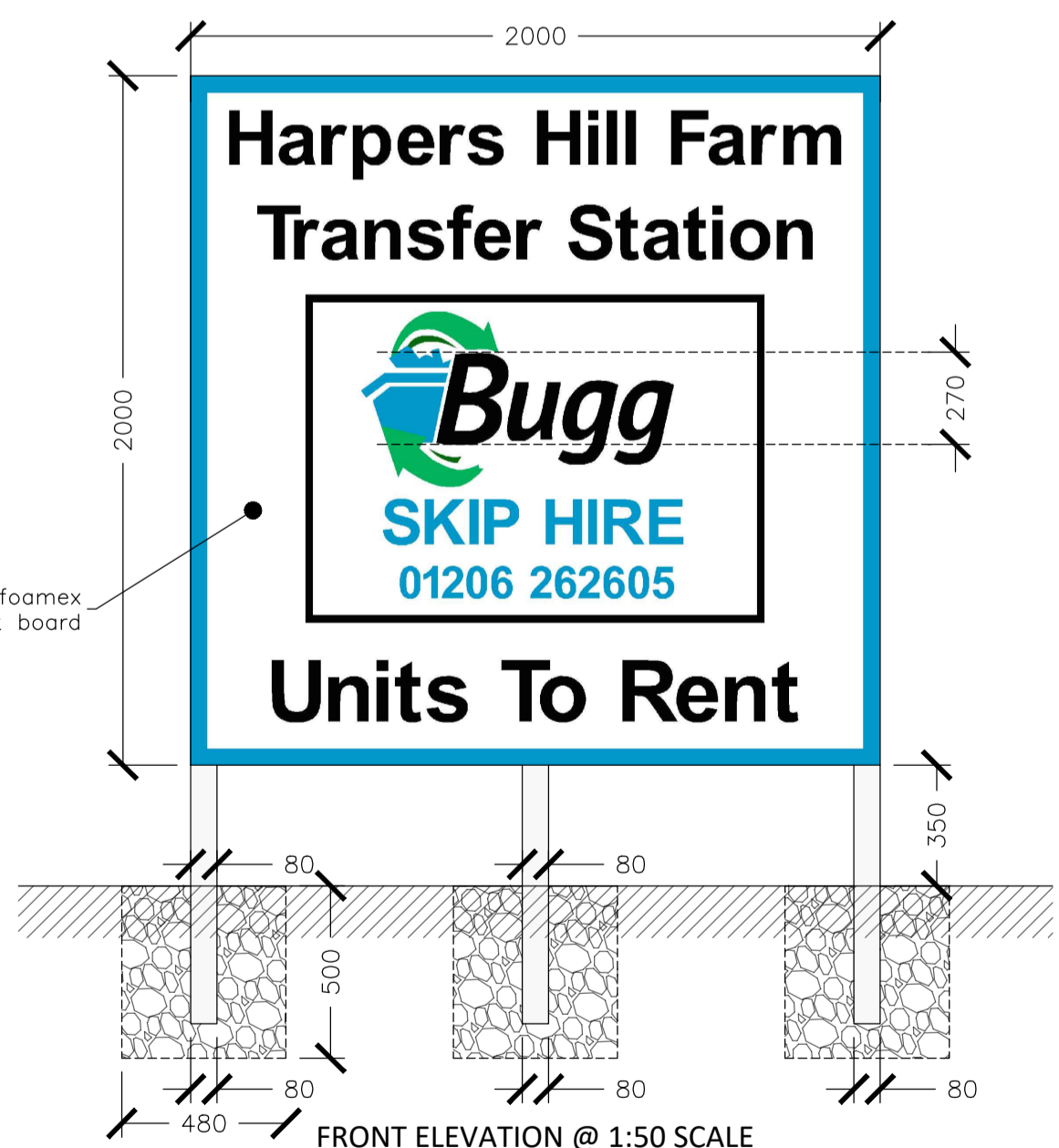
SITE LOCATION PLAN @ 1:1,250 SCALE



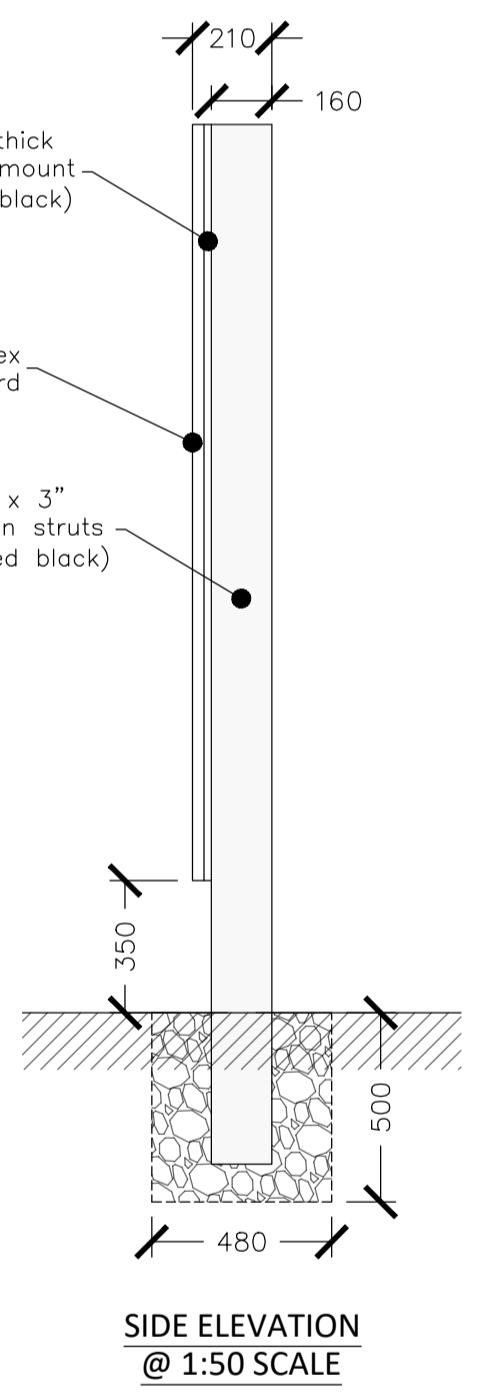
2 no. proposed new advertisement signs



REAR ELEVATION @ 1:50 SCALE



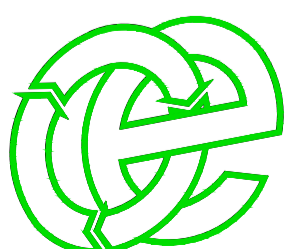
FRONT ELEVATION @ 1:50 SCALE



SIDE ELEVATION @ 1:50 SCALE

All dimensions provided in millimetres (mm) unless otherwise specified

**Oaktree Environmental Ltd**  
Waste, Planning and Environmental Consultants



Lime House, Road Two, Winsford, Cheshire, CW7 3QZ  
t: 01606 558833 | e: sales@oaktree-environmental.co.uk

<b>DRAWING TITLE</b> ADVERTISEMENT DETAILS		
<b>CLIENT</b> TD & AM Bugg Ltd		
<b>PROJECT/SITE</b> Harper's Hill Farm, Harper's Hill, Nayland		
<b>SCALE @ A2</b> As shown	<b>CLIENT NO</b> 2437	<b>JOB NO</b> 010
<b>DRAWING NUMBER</b> 2437-010-01	<b>REV</b> A	<b>STATUS</b> Issued
<b>DRAWN BY</b> RS	<b>CHECKED</b> RS	<b>DATE</b> 31.10.23

**NOTES**  
Drawing for indication only. Reproduced with the permission of the controller of H.M.S.O. Crown copyright licence No. 100022432. This drawing is copyright and property of Oaktree Environmental Ltd.

REVISION HISTORY			
Rev:	Date:	Init:	Description:
-	30.10.23	RS	Initial drawing
A	31.10.23	RS	Minor amendment