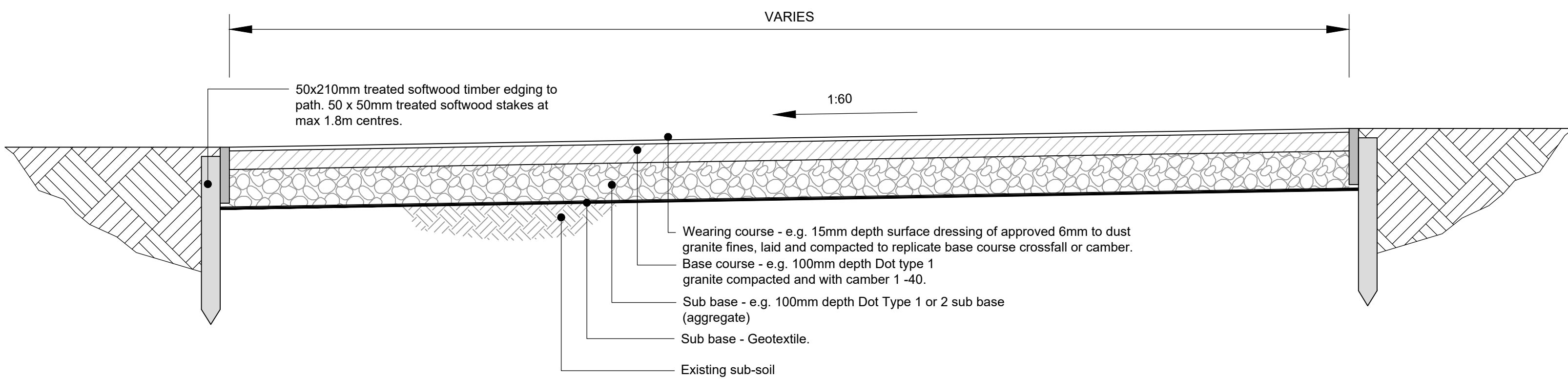
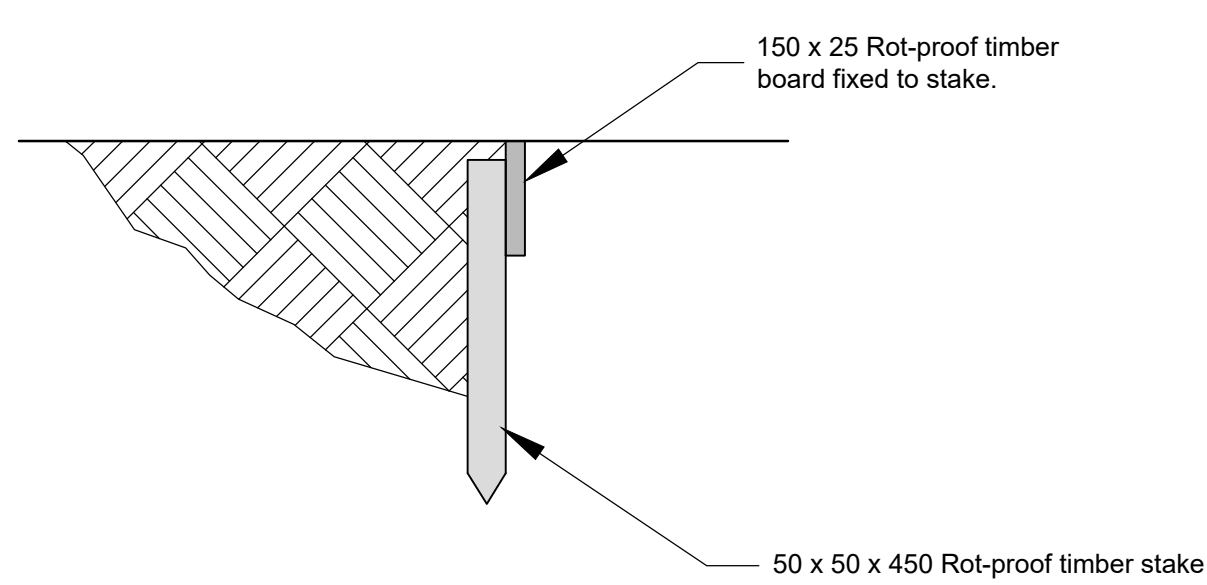


GENERAL NOTES

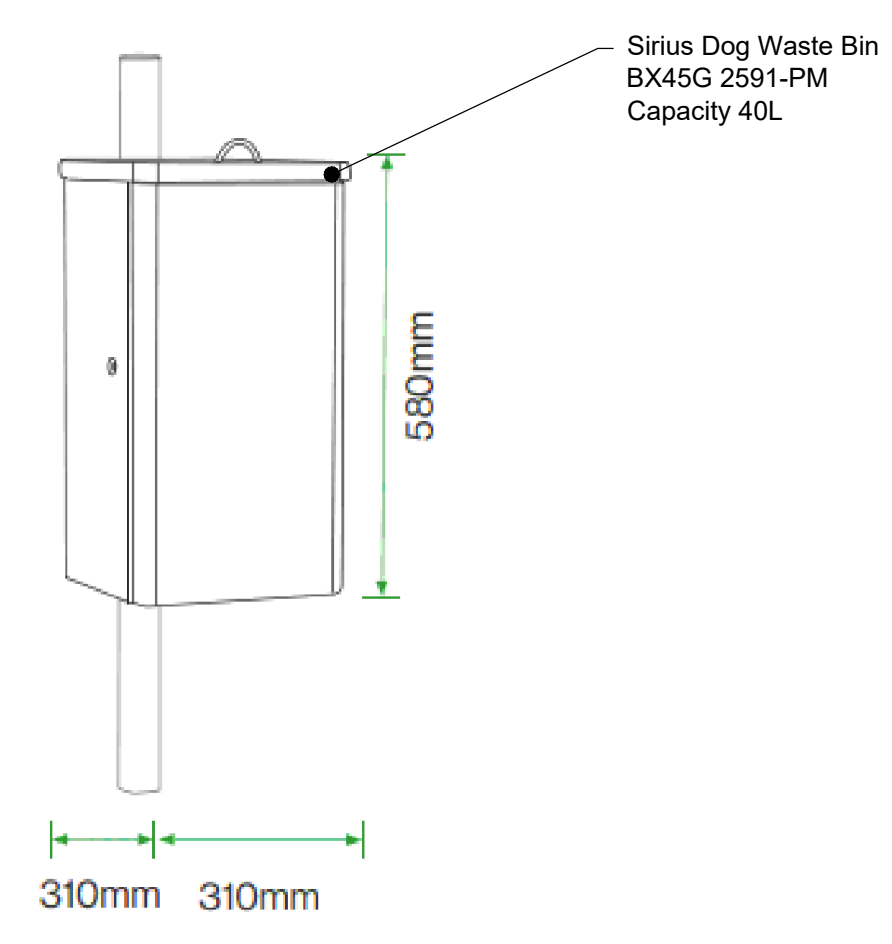
1. THIS DRAWING IS TO BE READ IN CONJUNCTION WITH ALL RELEVANT ARCHITECTS, ENGINEERS AND SPECIALIST DRAWINGS AND SPECIFICATIONS
2. DO NOT SCALE FROM THIS DRAWING IN EITHER PAPER OR DIGITAL FORM. USE WRITTEN DIMENSIONS ONLY.



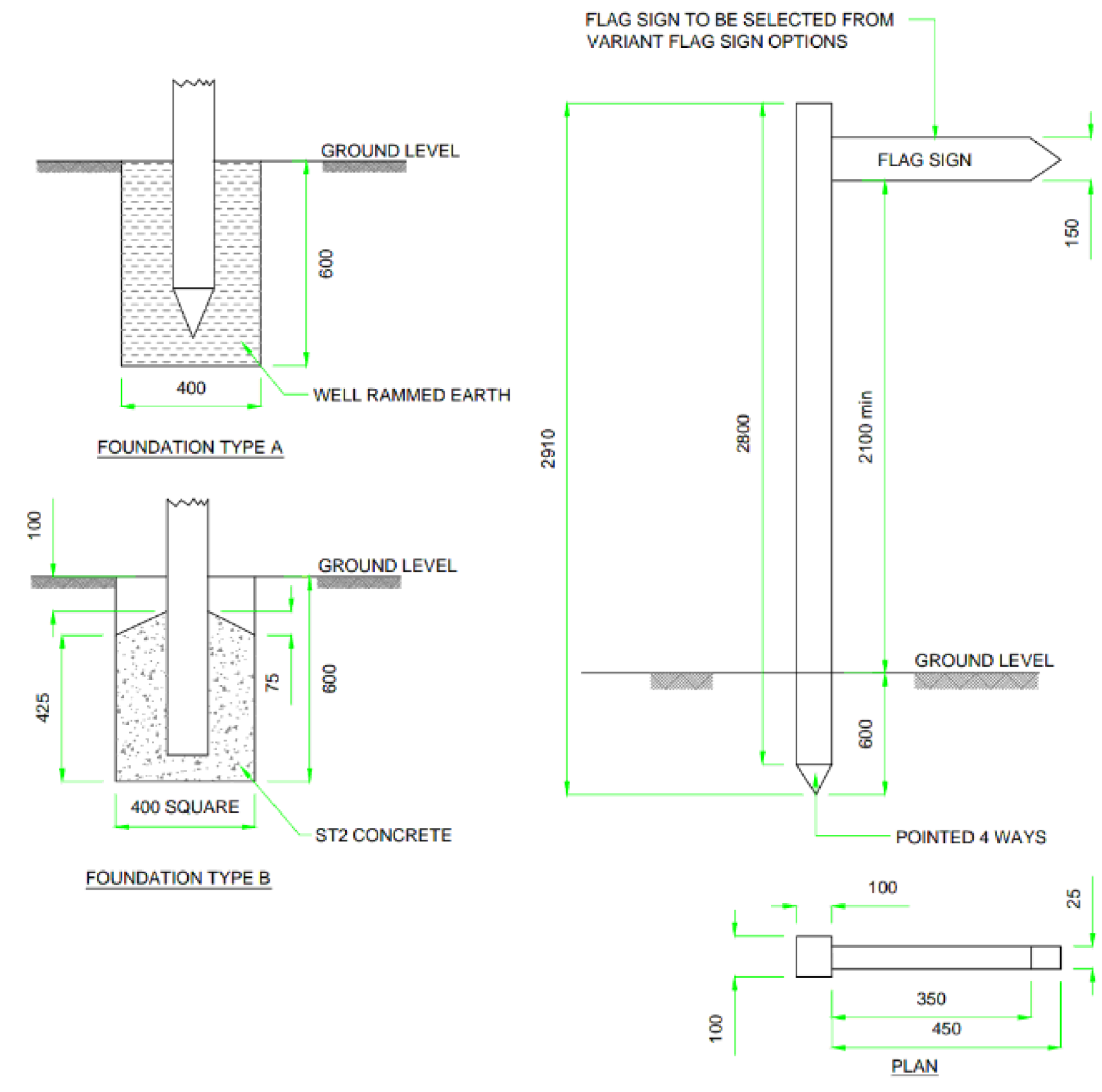
**1a** PATH WITH TIMBER EDGING CROSS SECTION  
Scale: 1:20



**1b** TIMBER EDGING DETAIL  
Scale: 1:20



**1c** DOG WASTE BIN DETAIL  
Scale: 1:20



**1d** WOODEN FINGER POST SIGN  
Scale: 1:20

**NOT FOR CONSTRUCTION**

Rev	Date	Description	Drawn	Check
P03	03.11.23	PATH WITH TIMBER EDGING DETAIL AMENDED AND FINGER POST SIGN ADDED.	GA	JW
P02	10.08.23	DETAIL 1a AMENDED DETAIL 1c ADDED	MS	JW
P01	05.01.23	PRELIMINARY ISSUE	MS	JW

**conisbee** Consulting Structural Engineers  
Consulting Civil Engineers  
London • Cambridge • Norwich  
1-5 Offord St London N1 1DH  
Telephone 020 7700 6666  
www.conisbee.co.uk

Drawing Status <b>S3 SUITABLE FOR REVIEW AND COMMENTS</b>	
Project	Date DEC 2022
LOCKWOOD PLACE LORRAINE WAY, BRAMFORD	Scale 1:200@A1
	Drawn MS
	Engineer JW
Title	Project No
<b>PROPOSED CYCLE/FOOTPATH CONSTRUCTION DETAIL</b>	<b>200691</b>
Drawing No	Revision
<b>200691-CON-X-00-DR-C-3501</b>	<b>P03</b>