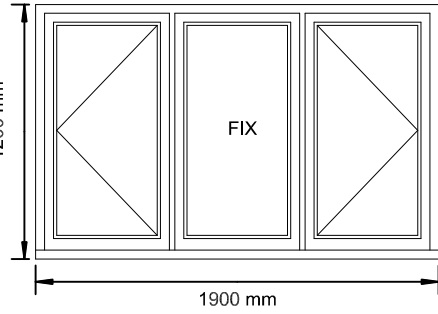
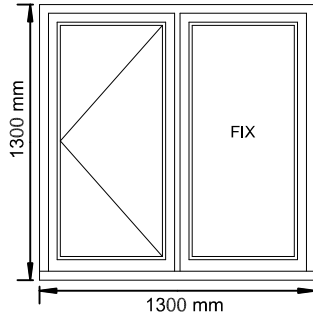


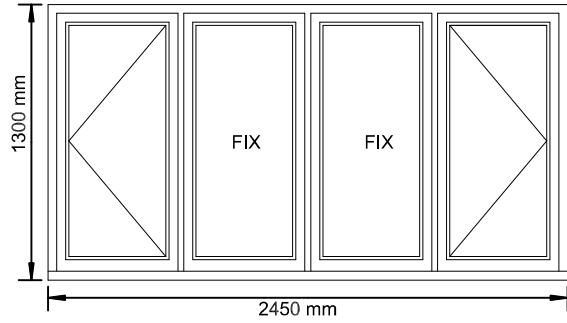
ITEM 13
 REAR ELEVATION
 FIRST FLOOR LEFT
 CLEAR 14mm UNITS



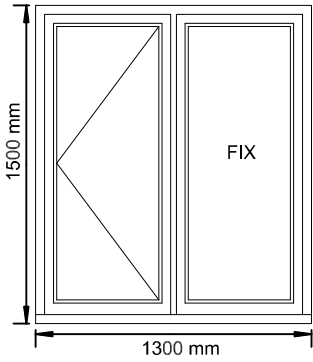
ITEM 14
 REAR ELEVATION
 FIRST FLOOR MIDDLE
 CLEAR 14mm UNITS



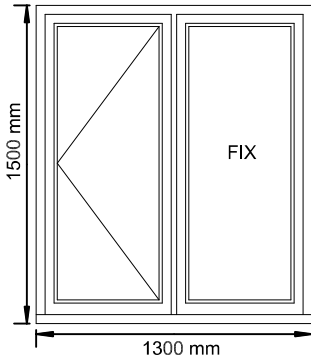
ITEM 15
 REAR ELEVATION
 FIRST FLOOR RIGHT
 CLEAR 14mm UNITS



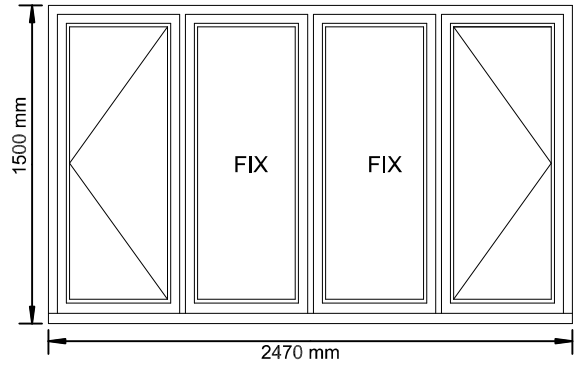
ITEM 16
 REAR ELEVATION
 GROUND FLOOR LEFT
 CLEAR 14mm UNITS



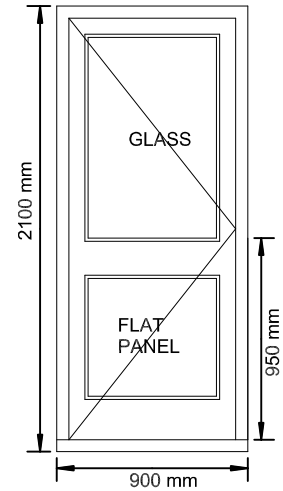
ITEM 18
 REAR ELEVATION
 GROUND FLOOR BAY LEFT
 OBSCURE 14mm UNITS



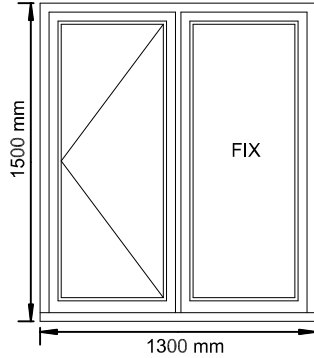
ITEM 19
 REAR ELEVATION
 GROUND FLOOR BAY MIDDLE
 CLEAR 14mm UNITS



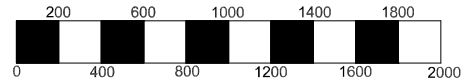
ITEM 17
 REAR ELEVATION
 DOOR OPENS INWARDS
 OBSCURE 14mm UNIT



ITEM 20
 REAR ELEVATION
 GROUND FLOOR BAY RIGHT
 CLEAR 14mm UNITS



SCALE 1:20 @ A2



DOKIC JOINERY LTD
 CLIENT L BIRD
 SITE: 32 CLIDDSDEN ROAD
 DRWG: REAR ELEVATIONS
 SCALE: 1-20 @ A2
 DATE: 23RD OCTOBER 2023