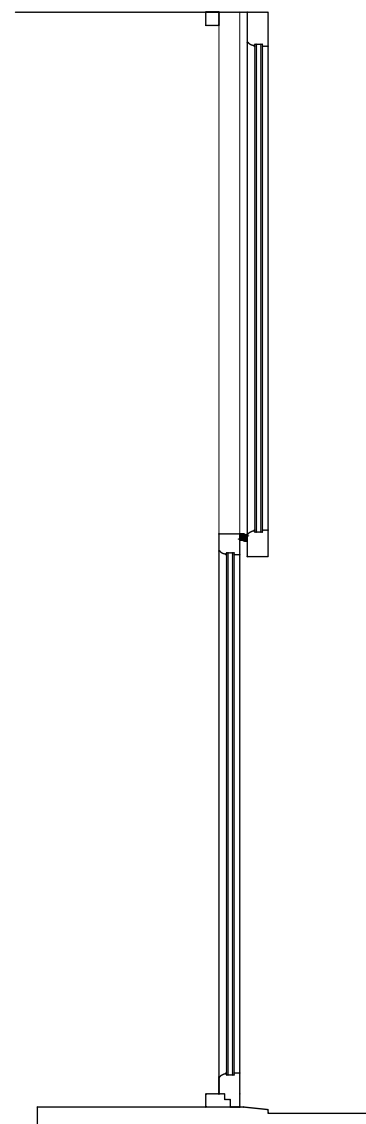
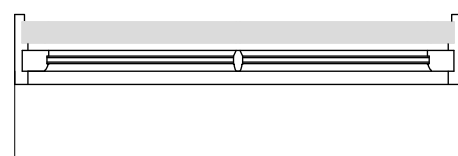


Existing Window Elevation
Scale 1:20



Existing Window Section (A-A)
Scale 1:20



Existing Window Section (B-B)
Scale 1:20



ISSUE	AMENDMENT	DATE
-------	-----------	------

CR SMITH
the difference

THIS DRAWING IS FOR ILLUSTRATION PURPOSES ONLY
THEREFORE NOTHING CONTAINED HEREIN SHALL
CONSTITUTE OR FORM ANY PART OF ANY CONTRACT.

This drawing remains the property of CR Smith Glaziers
(Dunfermline) Ltd ©

CLIENT
Miller
1/5 55 Mitchell Street
Glasgow
G1 3LN

CONTRACT
-

CONTRACT NUMBER: 02511901

Project Title
Secondary Glazing Installation.

Drawing Title
Existing Window.

Date Drawn: 16/11/2023 Drawn By: CMI

Scale - 1:20

Drawing No.

003

CHECKED	VERIFIED
---------	----------