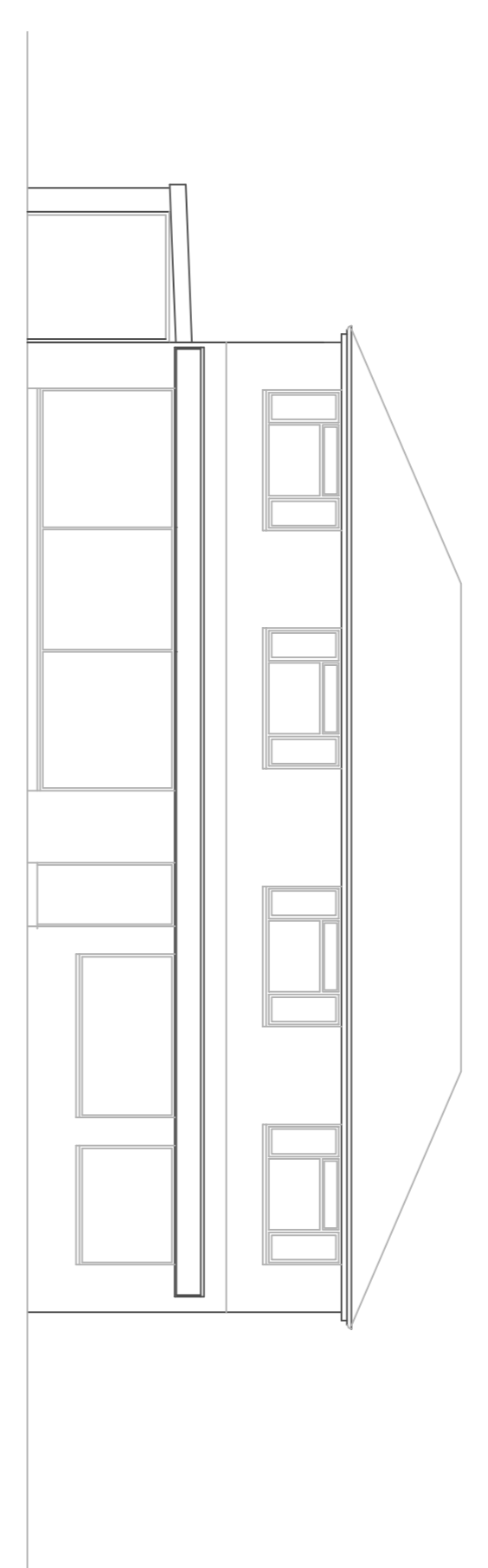
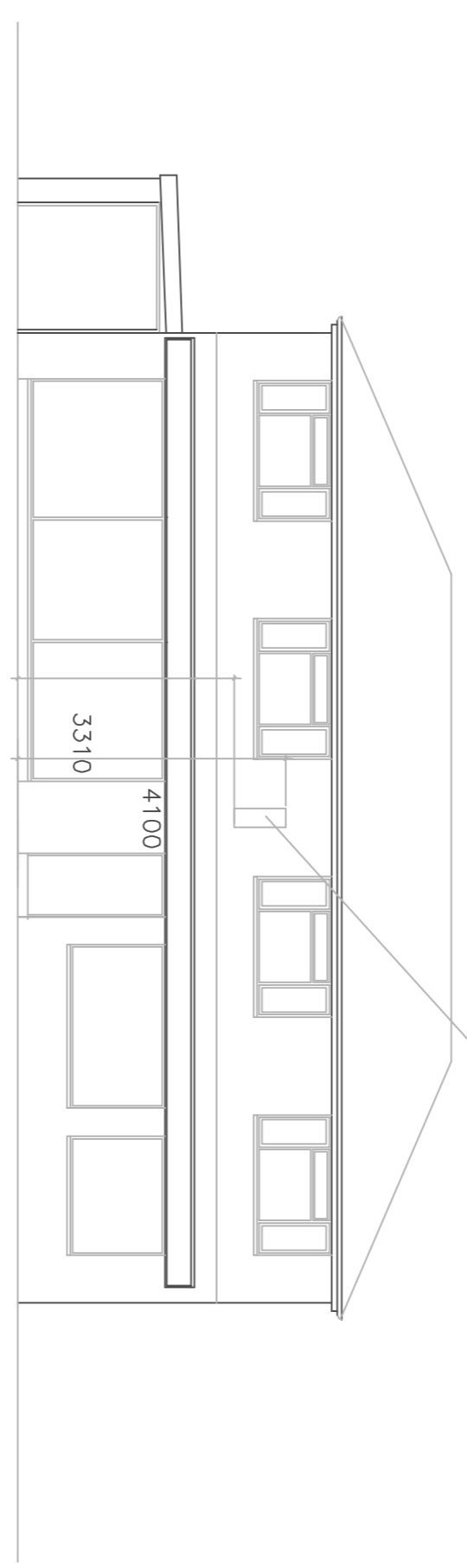


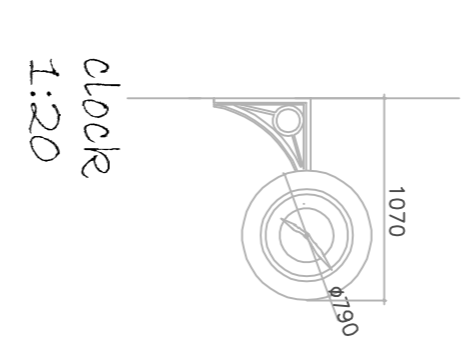
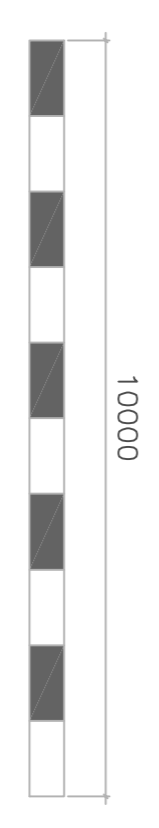
Do not scale from this drawing, only written dimensions are to be used
 any other dimension are to be checked prior to work commencing
 Extent of work shown does not indicate that an asbestos survey has
 been carried out and reference should be made to the client for this
 information prior to work commencing



Existing
Elevation



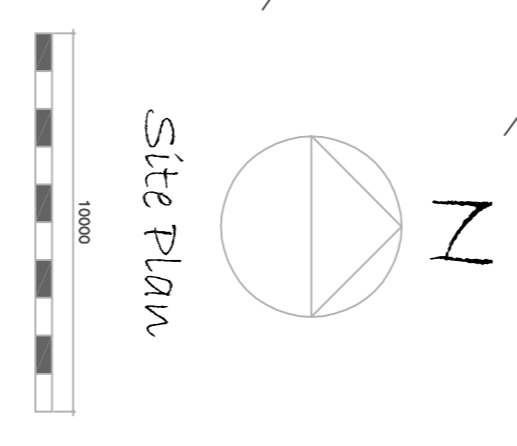
Proposed
Elevation
1:100



clock
1:20



Site Plan
1:100



Site Plan

Revisions

No.	Description	Date

SERIES ONE DESIGN ASSOCIATES
 Architectural Design
 Bishopthorpe York
 Tel: 07526162270 e-mail: rleathing@seriedesign.co.uk

DRAWING TITLE
 Proposed external clock
 to front elevation of
 169 Boroughbridge Road
 York
 YO26 6AN

PLAN ELEVATIONS AND

SCALE	DATE
1:100	Oct 23
DRAWING NUMBER	
HO/2023/01	