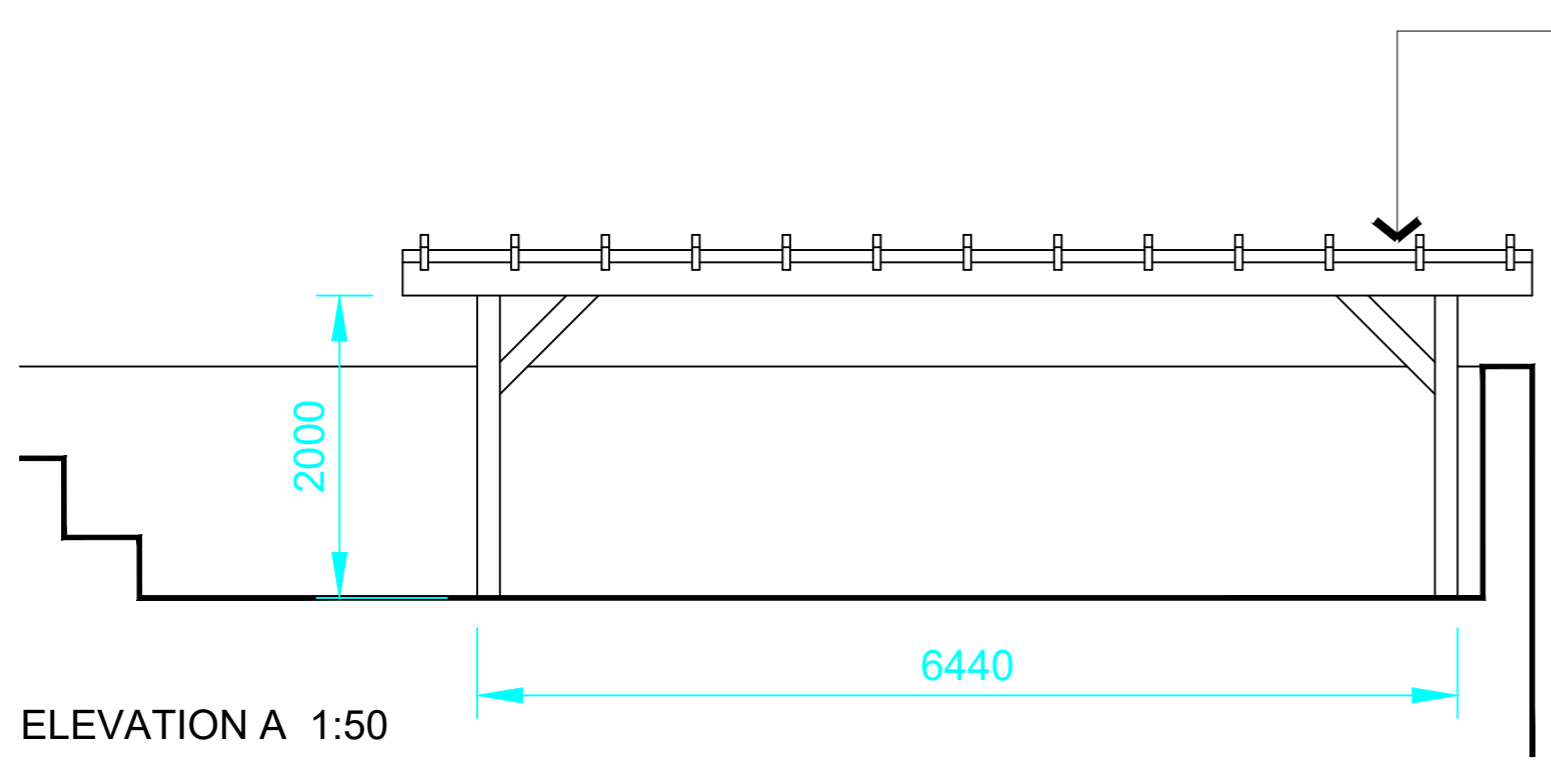
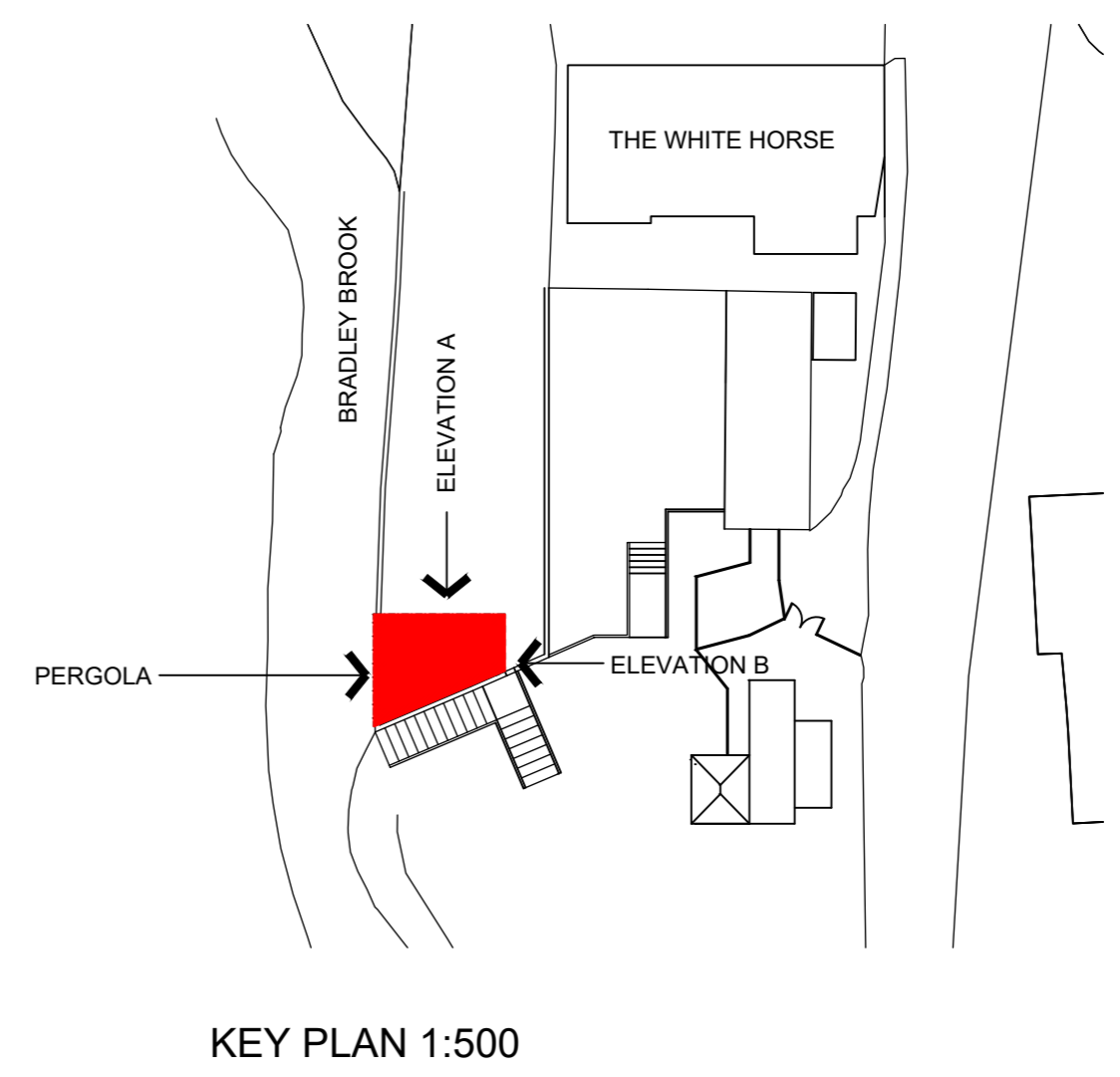
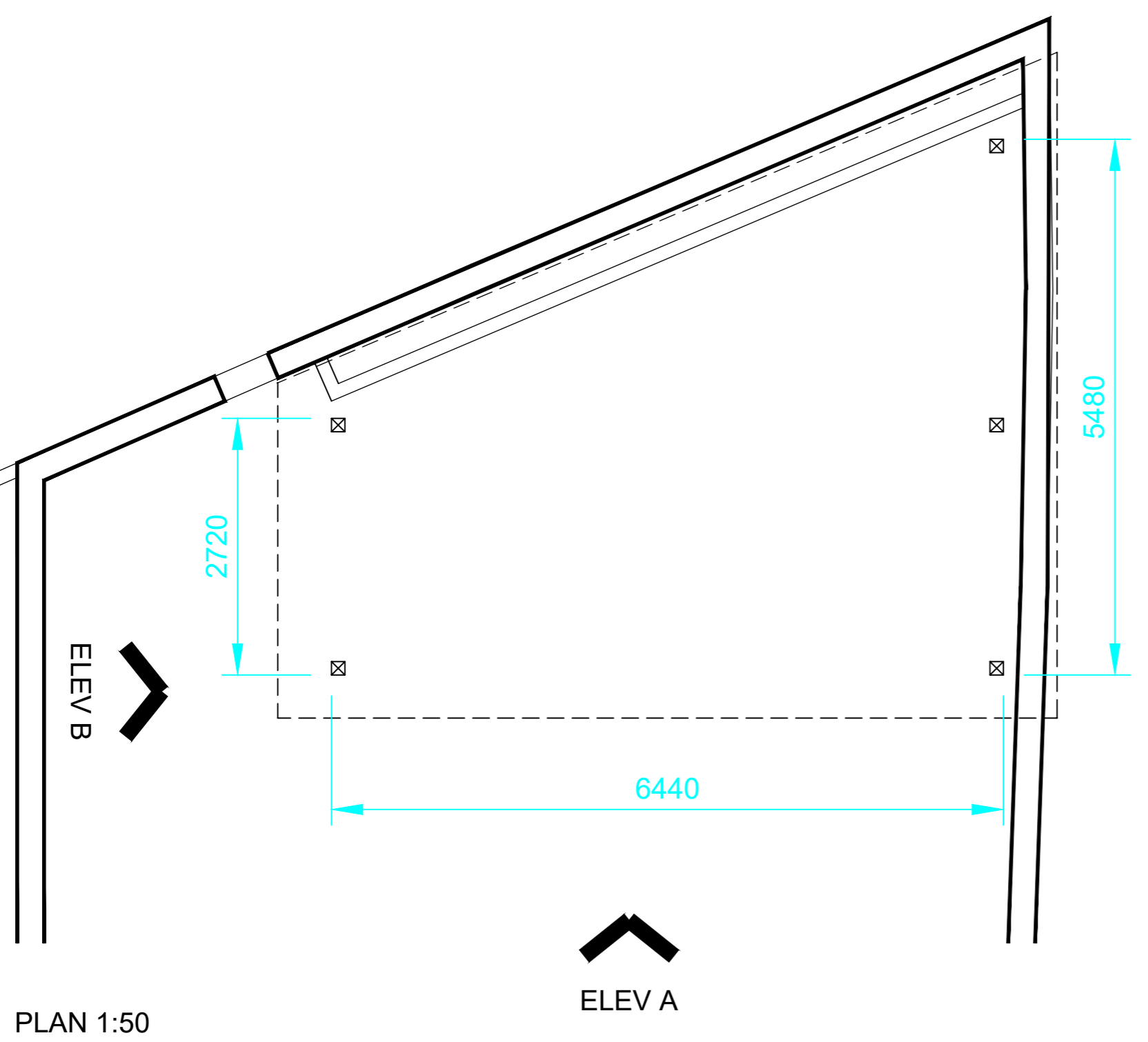
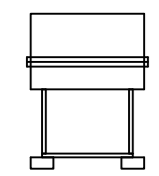
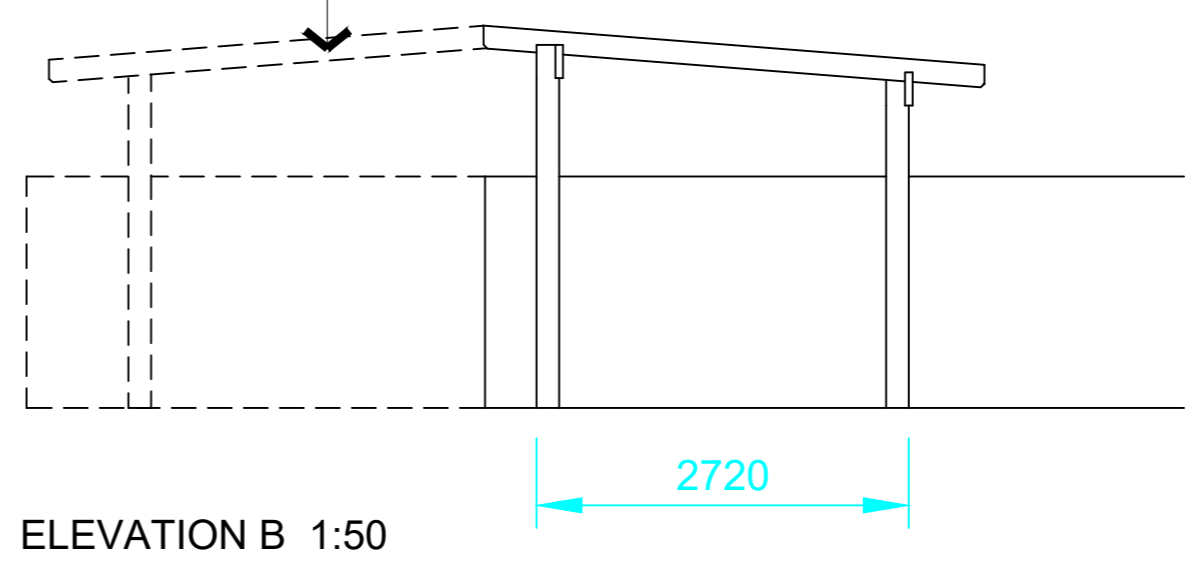


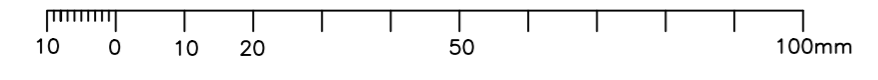
- NOTES**
1. ALL DIMENSIONS ARE IN MILLIMETERS UNLESS STATED OTHERWISE
  2. ALL DIMENSIONS SHALL BE VERIFIED ON SITE.



PERGOLA  
 DETACHED, FREESTANDING  
 TIMBER STRUCTURE  
 SEE DWG EX/05 FOR DETAILS



**A2**



A	Note 2 amended	15.11.23
Rev	Description	Date
Drawn by		
Project		
The White Horse Bristol Road Hambrook BS16 1RY		
Drawing Title		
Pergola Plan & Elevations		
Scale (at A2)	Date	Drawn
1:50	05.08.2023	ACG
Dwg. no.	Rev.	
0508-GA05	A	