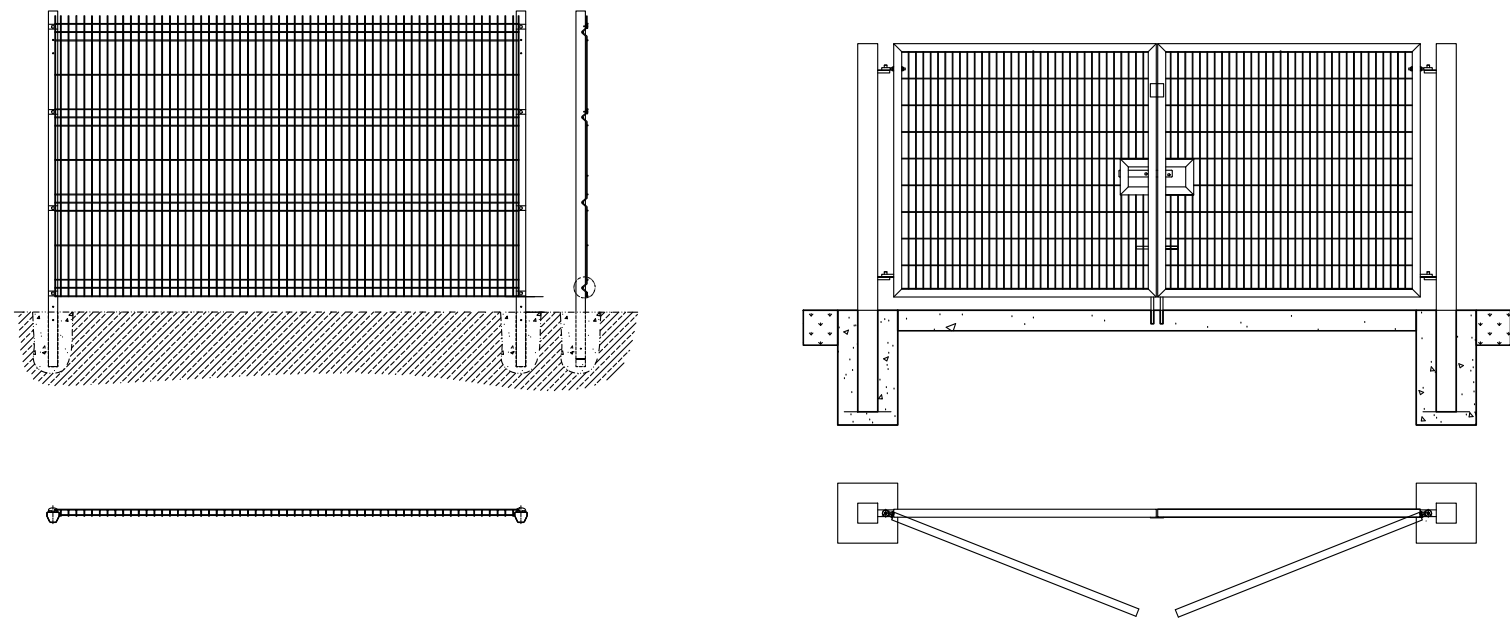


Responsibility is not accepted for errors made by others in scaling from this drawing.
All construction information should be taken from figured dimensions only.



1 Fencing
1 : 50

Revision Number	Revision Description	Revision Date
-----------------	----------------------	---------------



ATHENA HOUSE - ATHENA DRIVE - TACHBROOK PARK - WARWICK - CV34 6RL
www.calor.co.uk

PROJECT
CALOR CDC AVONMOUTH
New Site at Severn Road
Avonmouth
Bristol

DRAWING TITLE Fencing & Gates	REVISED BY Author
	CHECKED BY Checker

SUITABILITY STATUS PL : PLANNING	SCALE 1 : 50 @ A3
--	-----------------------------

PROJECT ZONE LEVEL NUMBER GB10220016-00-00-10004	REVISION
--	----------