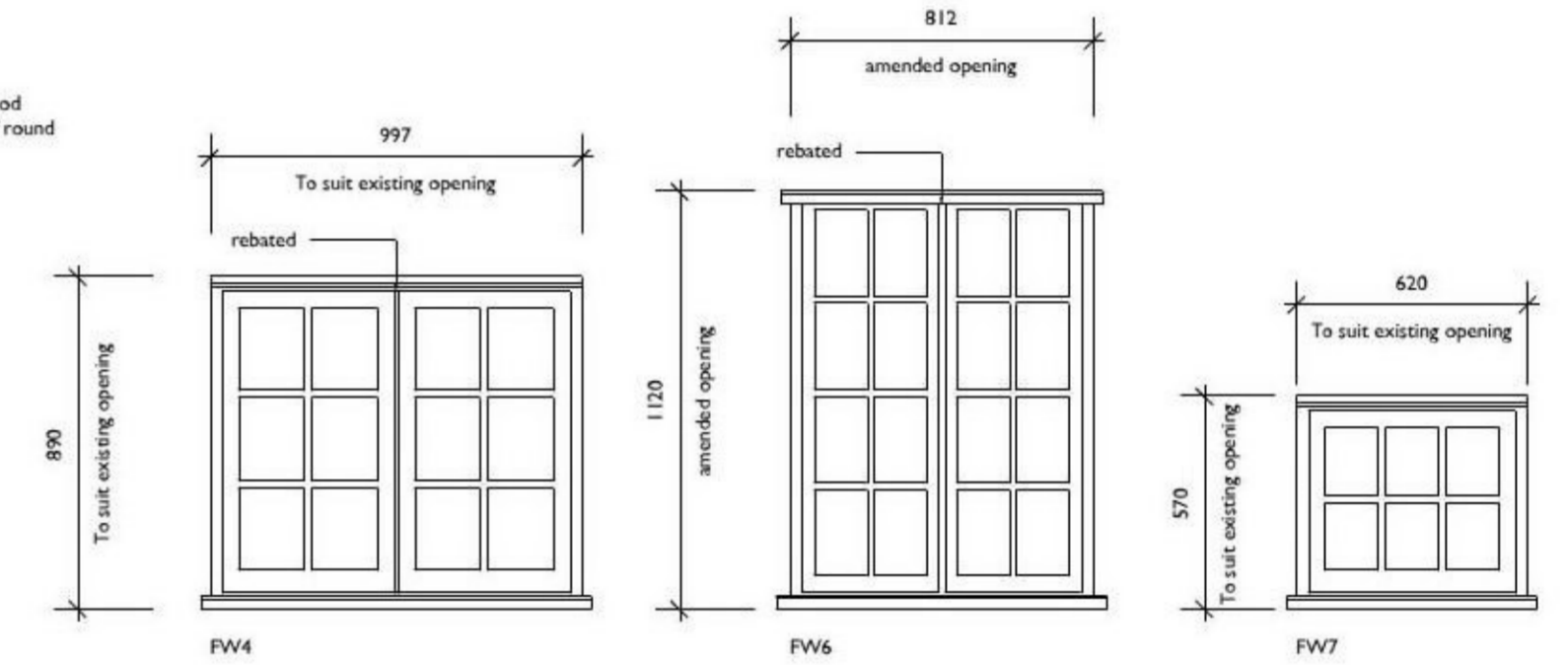
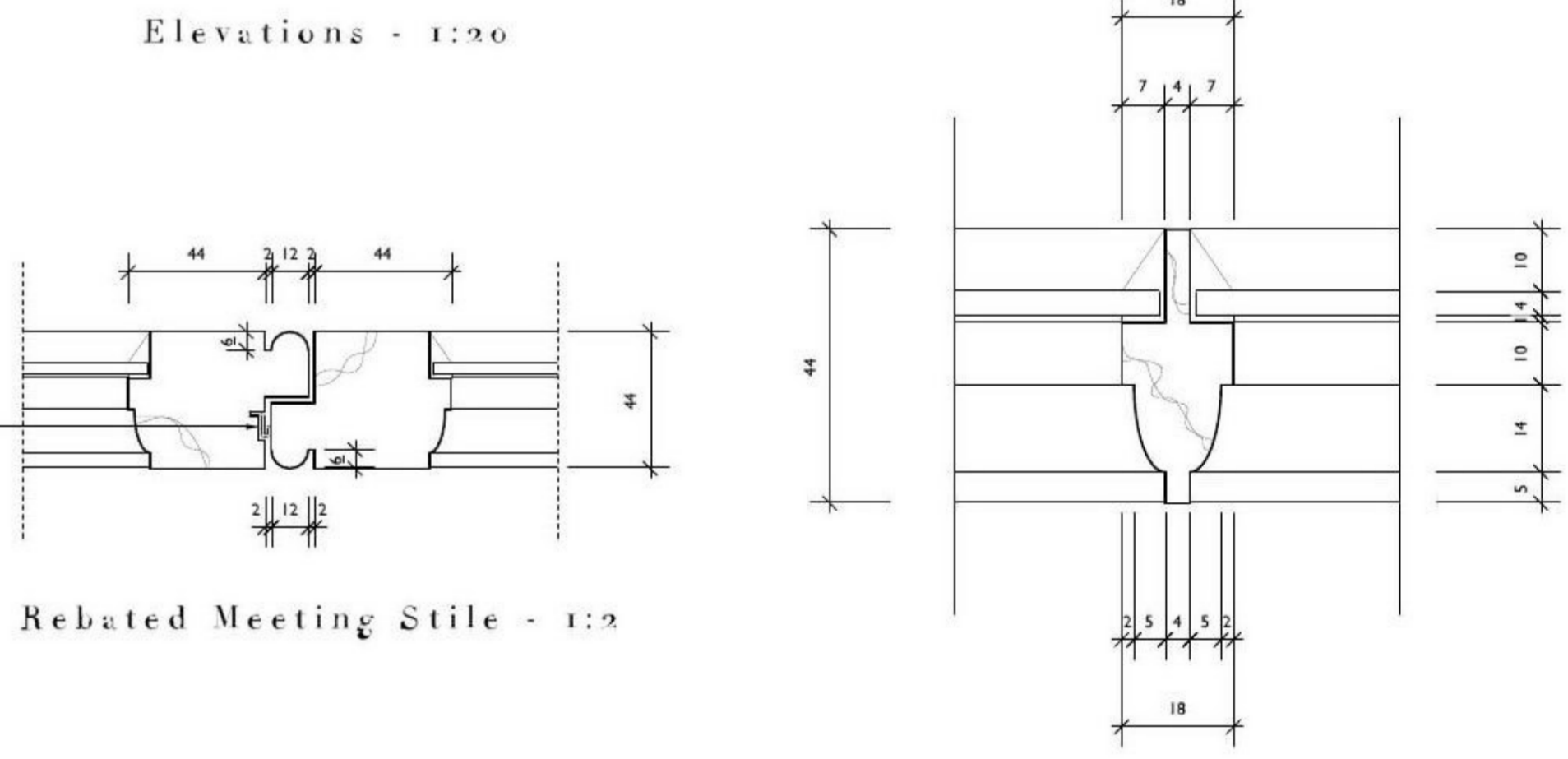


Typical Casement Horizontal Section - 1:2



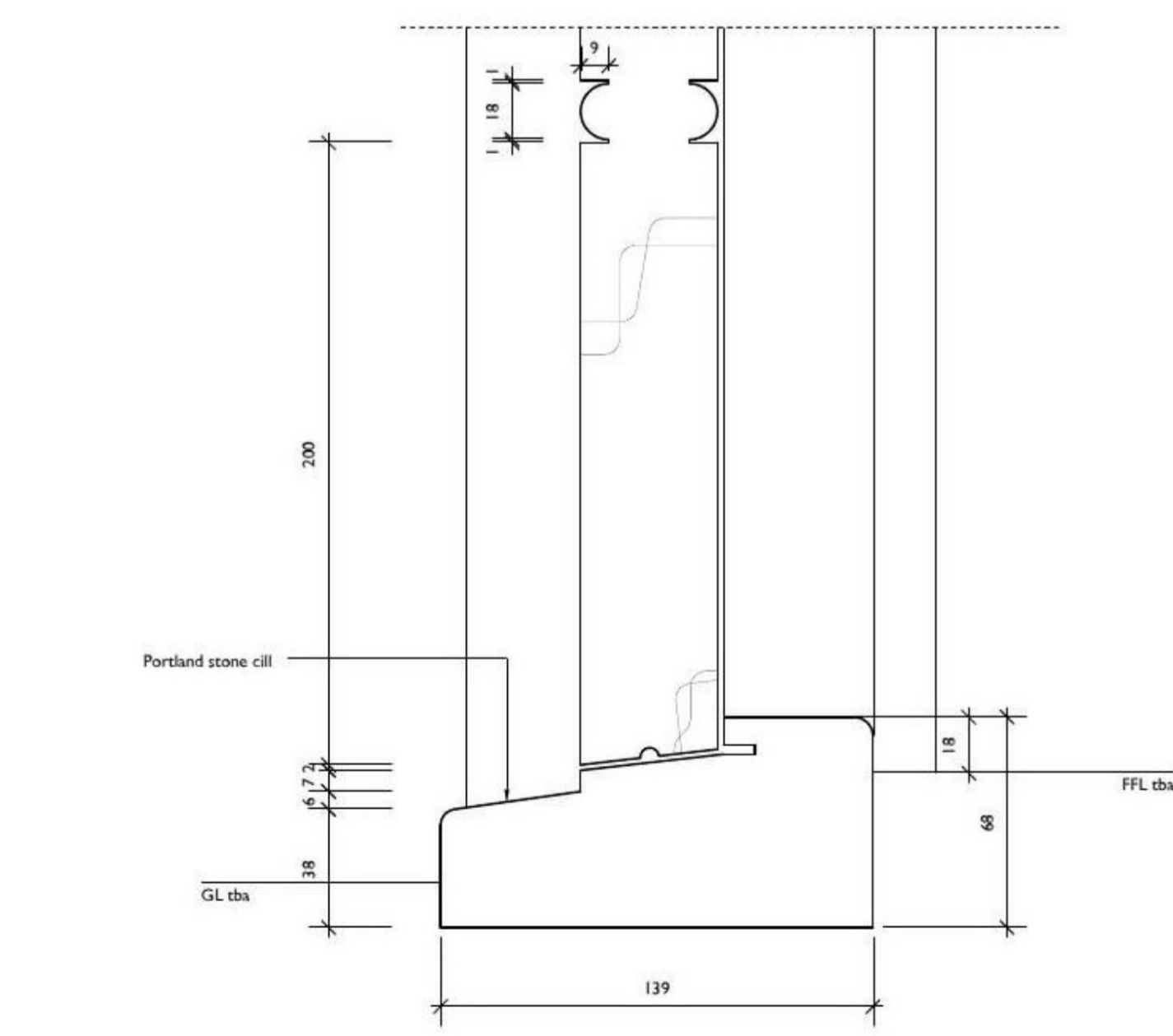
Elevations - 1:20

Typical Casement Vertical Section - 1:2

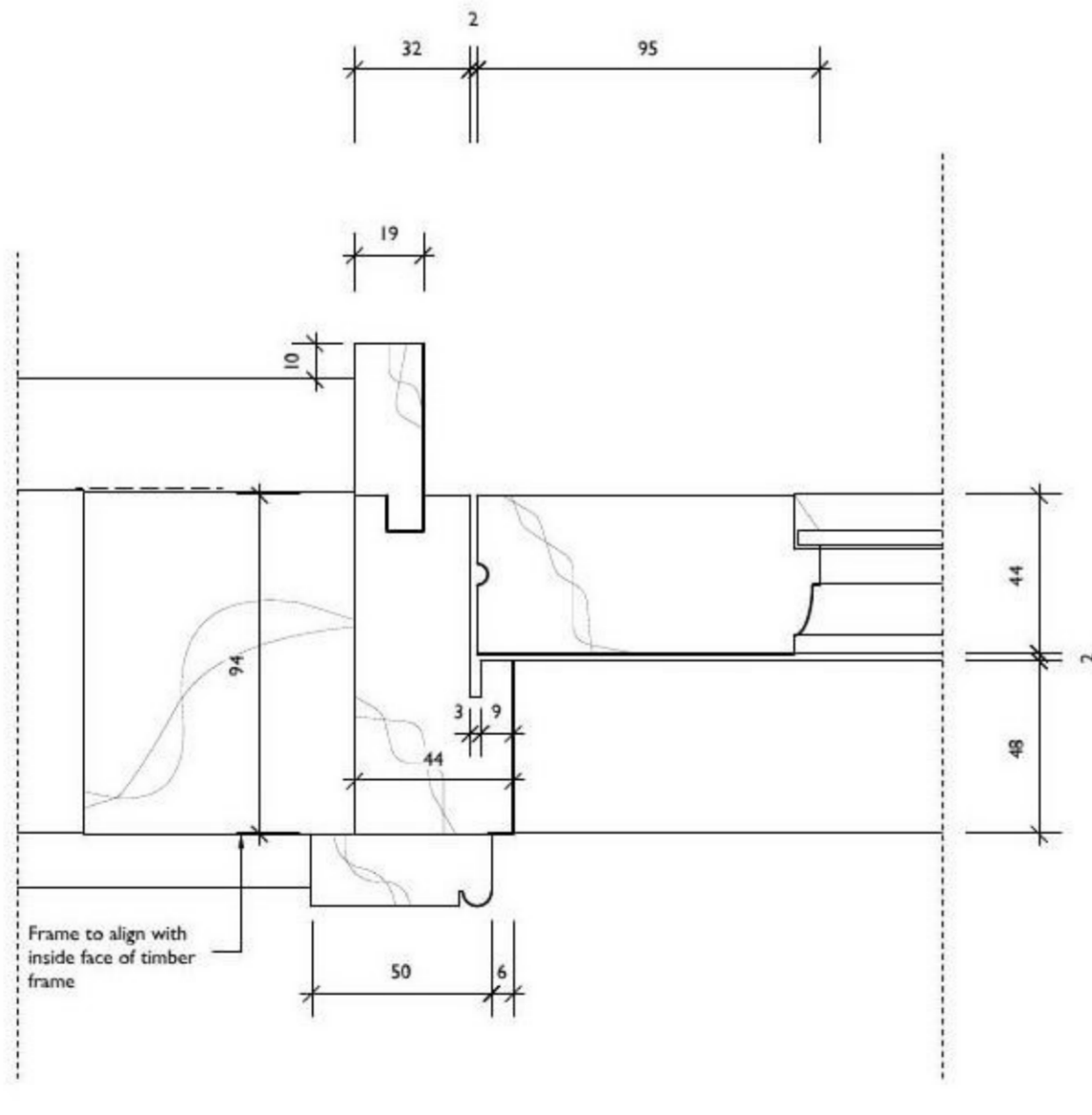


Rebated Meeting Stile - 1:2

44mm Single Glazing Bar - 1:1



GD2 Door Vertical Section - 1:2



GD2 Door Horizontal Section - 1:2

General Joinery Notes (covering all related joinery sheets)

Good quality hardwood to be used. e.g. Sapele or similar for painted joinery to be approved. Glazed Doors with painted finish to be constructed of Accoya.

4mm toughened glass bedded in traditional natural linseed based putty.

Doors and adjacent sidelights/windows in critical locations within 1500mm of ground and floor level and 300mm of doors and windows within 800mm of floor/ground to be safety glazed (toughened) to: BS EN 12150, BS EN 14179 and BS EN 14449.

Final sizes of all openings to be verified upon setting out prior to construction. Vertical glass proportions to be maintained. Consult Designer with any changes of size that may occur. **At rebated openings, take special care to ensure continuity of weathersals.**

Allow for proprietary weathersals; grooves shown on joinery are indicative. Capillary grooves to be incorporated, any shown are indicative. Any additional details and samples to be agreed with Designer.

Complete and full architraves to be used in all instances. Consult Designer at earliest opportunity if full architrave can not be accommodated.

Where architraves terminate on a cill/threshold horns to cill/threshold to be 38mm past outer edge of architrave unless otherwise stated.

Ironmongery recesses to be machined off site as required.

All external doors to have laminated stiles, lower, mid and top rails.

Specification and storage considered with steps taken to minimise shrinkage and movement. Grain alignment to be considered to minimise the effect of shrinkage and movement.

Joinery to be decorated off site, excluding top finishing coat with proprietary primer and basecoats. No spray finishes (except primer).

Should joinery be stored on site prior to fixing this to be done to minimise damage and deformation of timber.

Tops and bottoms of doors to receive painted finish. Ironmongery to remain spot free upon completion. Slotted screws to all visible fixings.

Timber thresholds to be unpainted and have Ormo clear UV-protection oilled finish.

All timber to be UKWAS or FSC certified.

Paint colours of all joinery to separate details, or to clients specification as appropriate.

ROGER BALMER
DESIGN

FOUNTAIN HOUSE STUDIO THE STREET EAST BERGHOLT COLCHESTER CO7 6TB

| | | |
|--------------------|-----------------------------------|----------------------------------|
| Client | Project | Drawing |
| Mr and Mrs Ambrose | Shirburn Mill, Mill Hill, Lawford | Casement and GD2 Details Sheet 1 |
| Scale | Date | Del. |
| As noted at A1 | September 2021 | BOC |
| | | Drawing no. Rev. |
| | | 4021 - 16 |

Contractors must verify all dimensions and information on site prior to commencement of work. Do not scale from drawing.
© Roger A Balmer Ltd