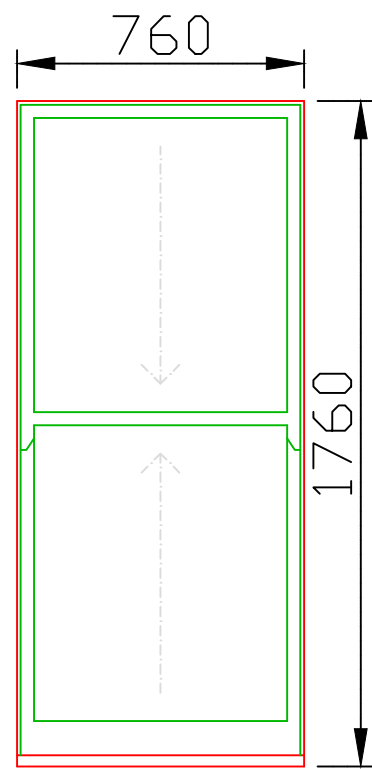
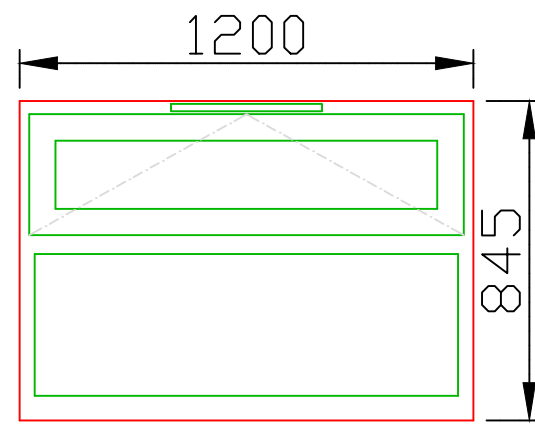


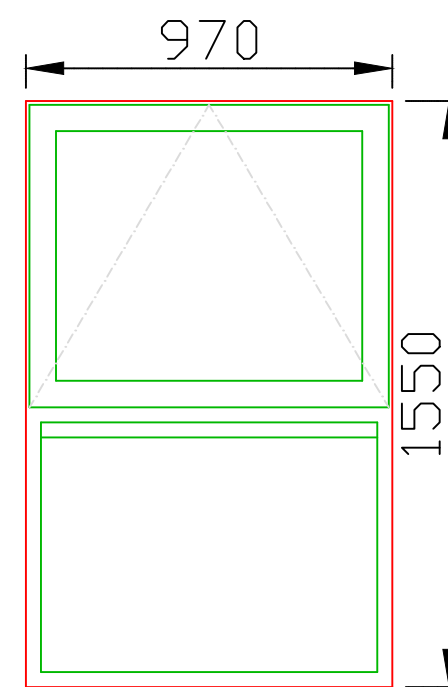
**W1**



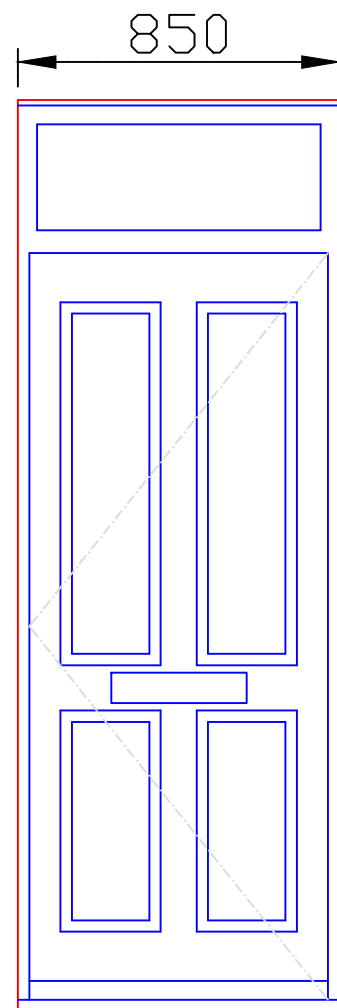
**W2**



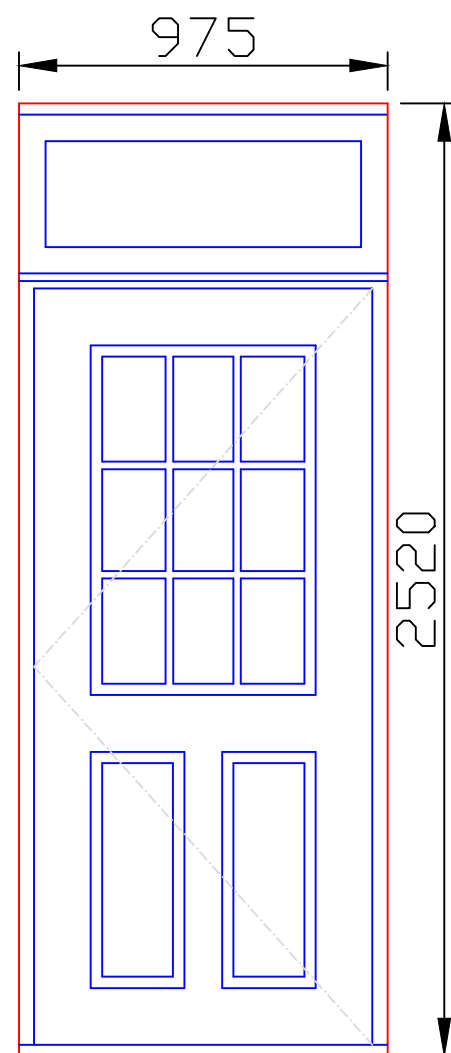
**W3**



**W4**

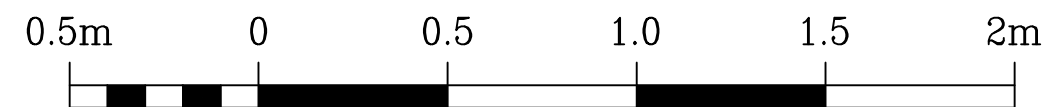


**D1**



**D2**

Window and Door Schedule		
W1		2
W2		2
W3		2
W4		2
D1		1
D2		1
TOTAL		10



Scale 1:20

Rev.	Description.	Date.

Do not scale from this drawing. Dimensions to be verified on site by contractor prior to commencement of work.  
 This drawing is the copyright of the practice and may not be reproduced in part or in whole without the prior written consent of the practice.  
 © 2023 Faithorn Farrell Timms LLP



**Faithorn Farrell Timms**  
 Central Court  
 1 Knoll Rise  
 ORPINGTON  
 Kent BR6 0JA  
 T 01689 885080

Client **ORBIT PROPERTIES**

Project **211 BROOK STREET  
 ERITH DA8 1EB**

Drawing Title  
**EXISTING WINDOW AND  
 DOOR SCHEDULE**

Date **04/10/2023** Scale **1:20 @A3**

Drawn By **AR** Checked By **GB**

Project No. **T1-6266** Drawing No. **3** Rev.