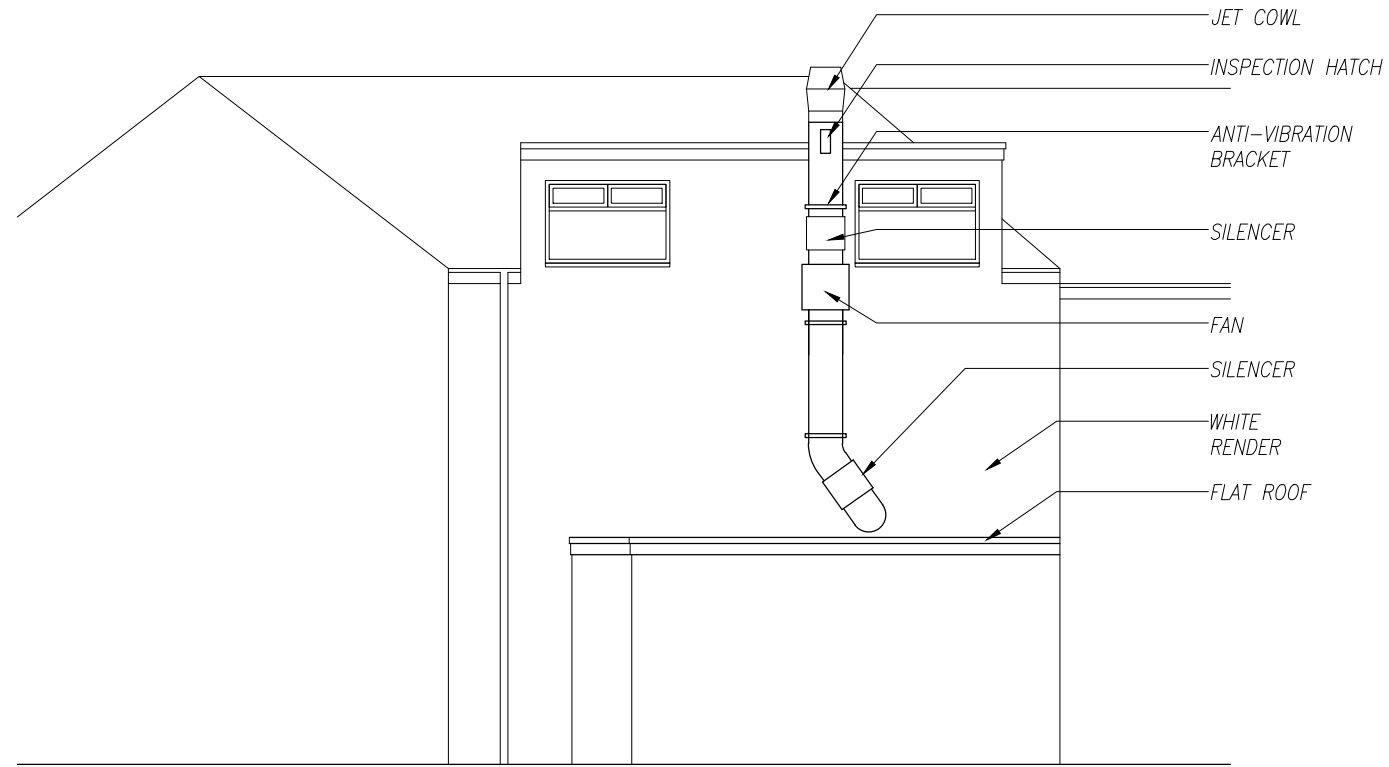
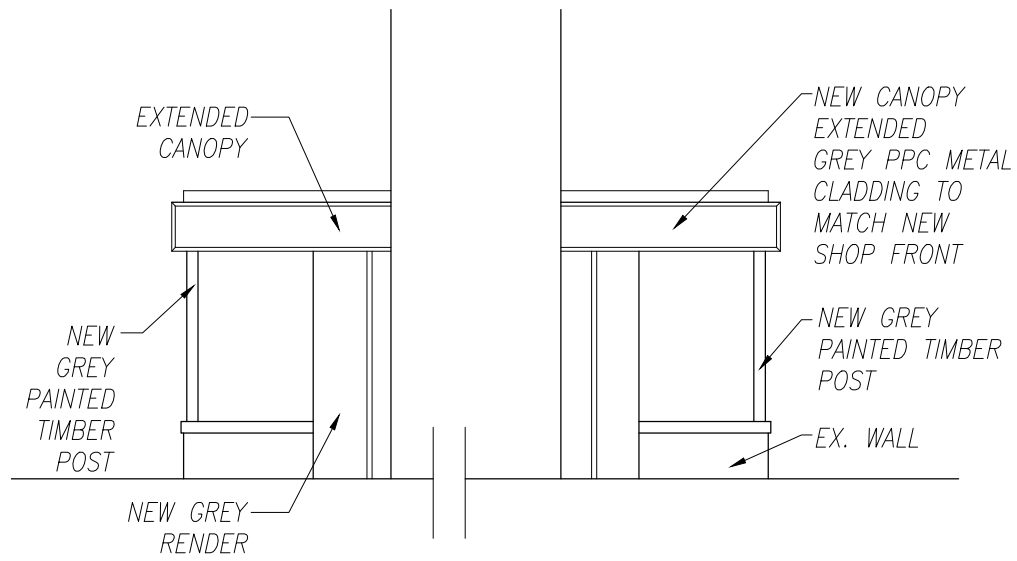


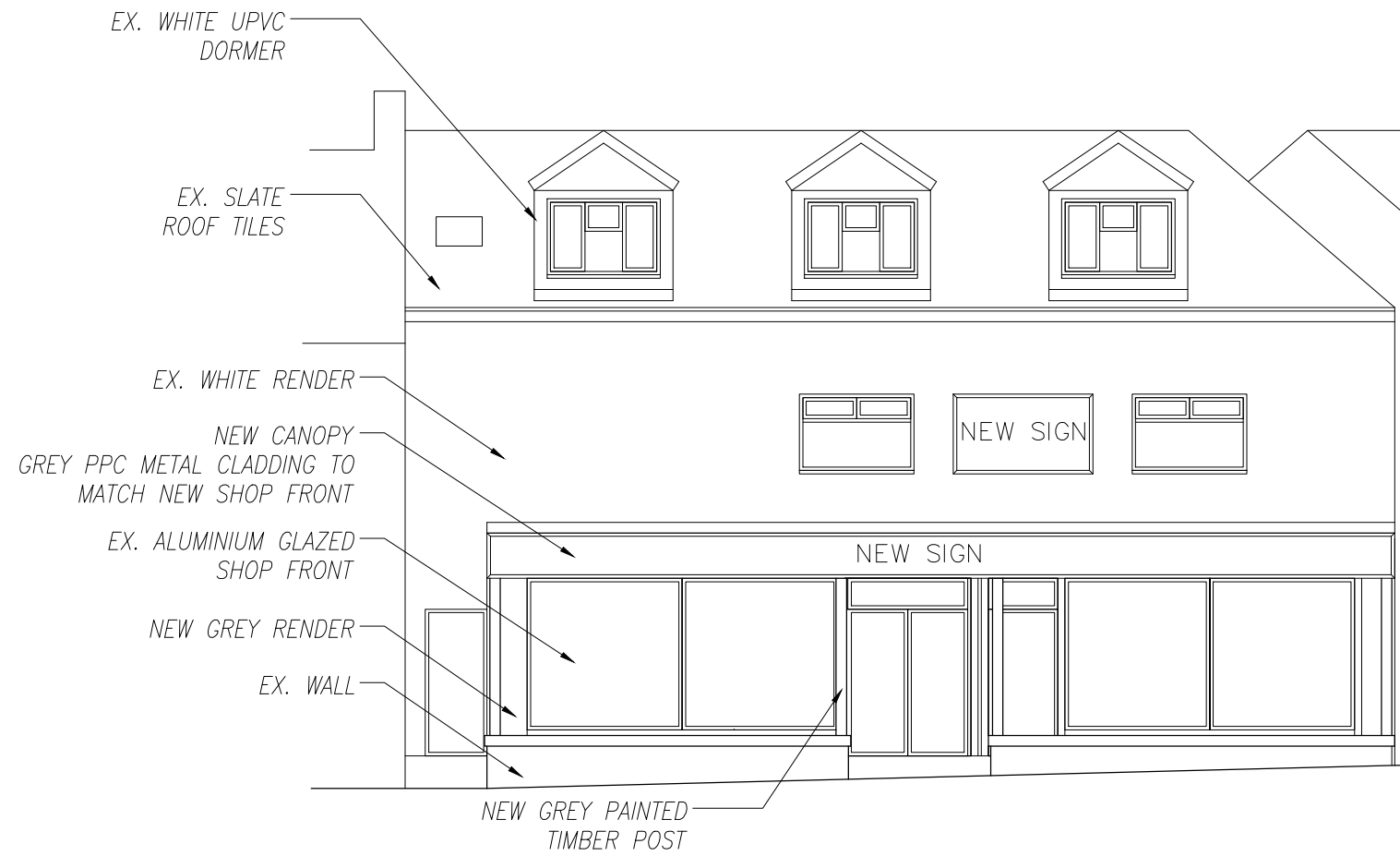
SIDE ELEVATION SCALE 1:100@A3



REAR ELEVATION SCALE 1:100@A3



SIDE CANOPY ELEVATION SCALE 1:100@A3



FRONT ELEVATION SCALE 1:100@A3

Revision - date drawn **25/10/2023** Drawn By **AMA**

Comments **FIRST ISSUE**

Revision **A** date drawn **16/11/2023** Drawn By **AMA**

Comments **SIDE ELEVATION**

**SPACE**  
studio

18 Mylor Road  
Sheffield  
S11 7PF



Telephone +44 (0) 114 263 1762

client **TAIBA MARIAM**  
project **117 WOLSELEY ROAD  
SHEFFIELD S8 0ZT**

title **PROPOSED ELEVATIONS**

drawing no **A23-173/05** revision **A**

scale **1:100@A3** date drawn **25/10/2023**