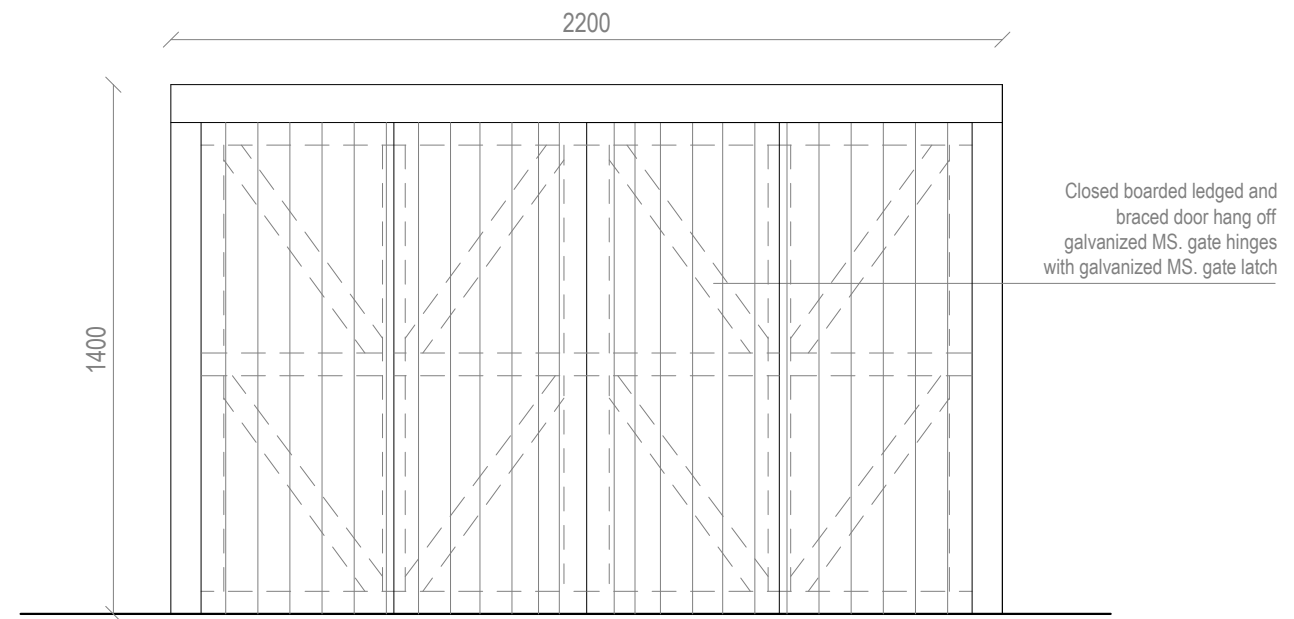
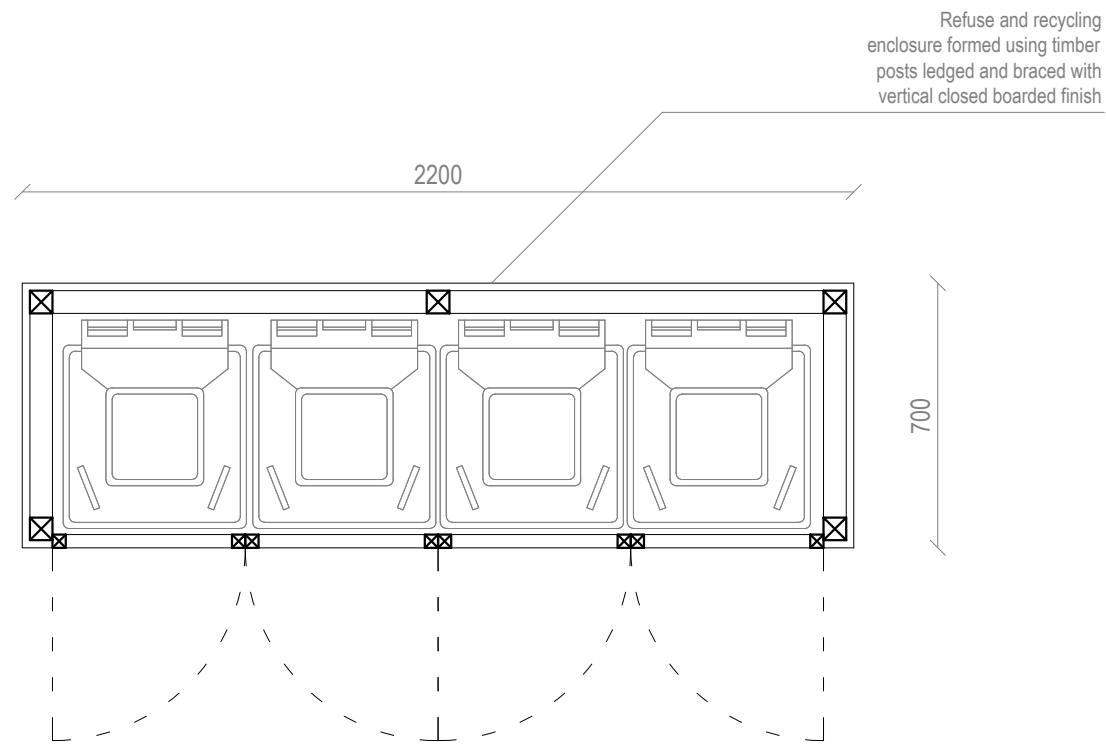


**SIDE ELEVATION**



**FRONT ELEVATION**



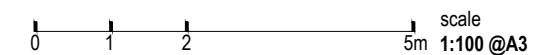
**PLANT**

**TIMBER REFUSE AND RECYCLING ENCLOSURE STORAGE DETAIL**



Address - Unit 4, Grosvenor Way, London E5 9ND  
 Phone - 020 3781 8008  
 E-mail - office@redwoodsprojects.co.uk  
 Web - www.redwoodsprojects.co.uk  
 Any errors on Dimensions to be reported to the Architect prior to commencement of Works.  
 Dimensions and areas are based on survey information.  
 This drawing is copyright © Redwoods Projects.  
 All dimensions to be checked on site Prior work.

REFERENCE: 78 ROSE HILL, IFFLEY, OXFORD OX4 4HS, UK	
TITLE: PROPOSED DRAWINGS DETAILS	
PROJECT No: 2047	DATE: 16-10-2023
SHEET No: <b>P 07</b>	



NOTES:	
DRAWN BY	EDITED BY