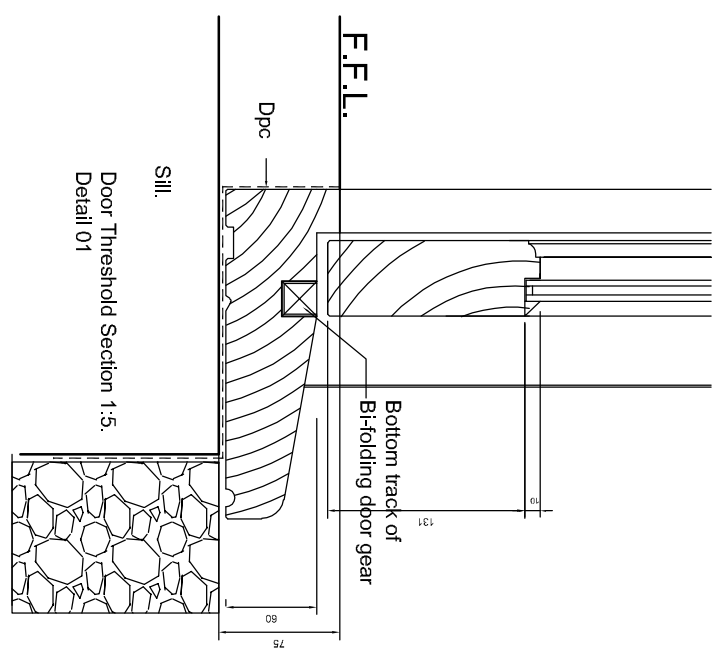
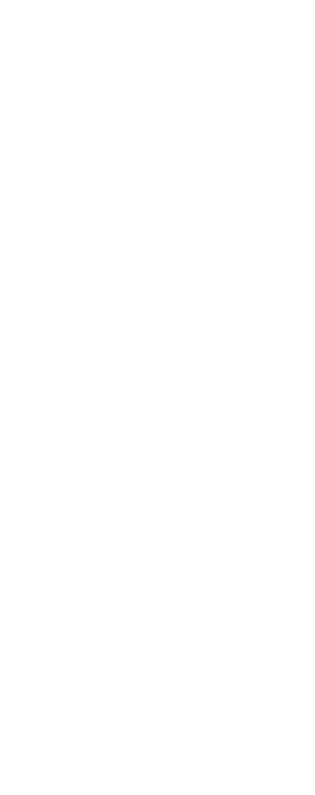
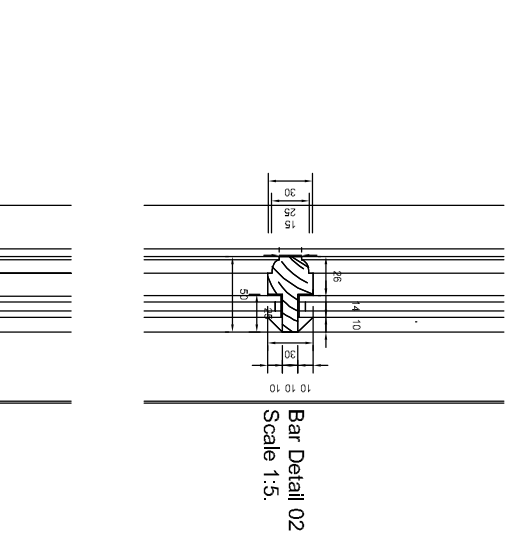
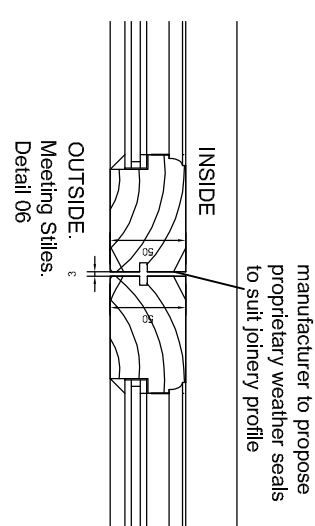
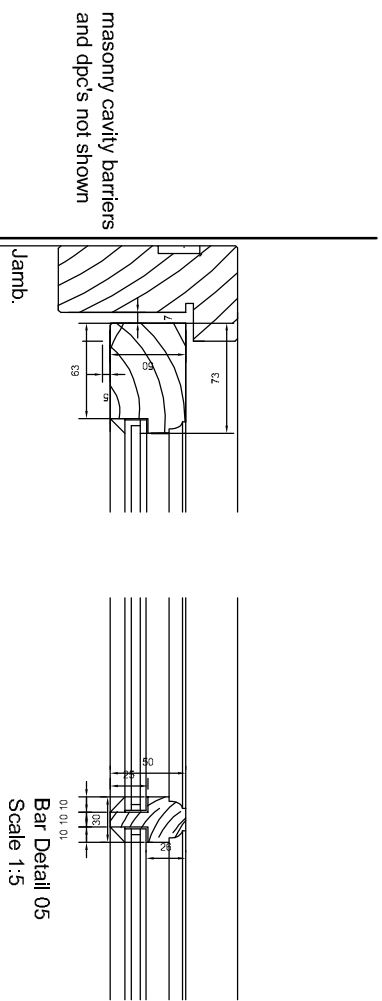
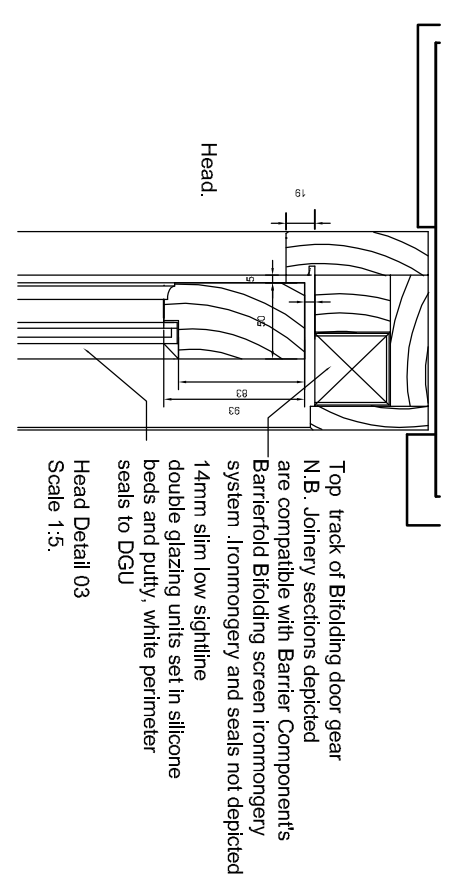
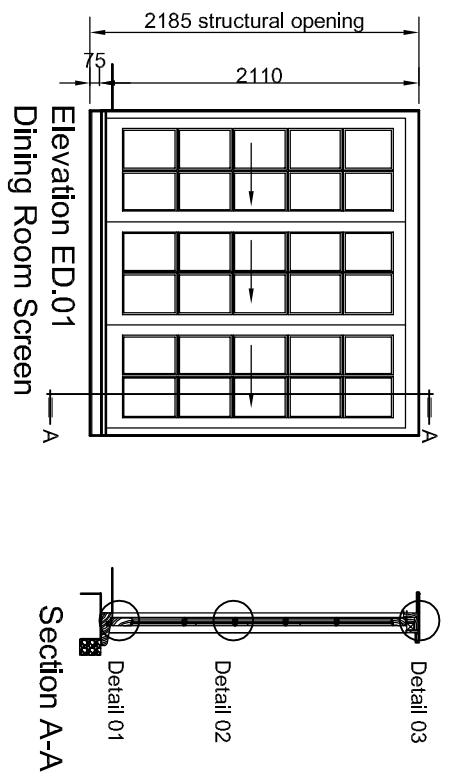
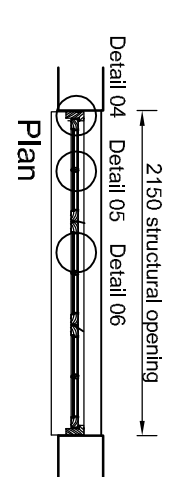


This drawing is the copyright of Latter Davies Chartered Architects.
It is not to be copied or redistributed without the express permission of Latter Davies.



Notes:
Timber to be high performance treated softwood / engineered softwood.
Glazing to be 14mm slim low sightline double glazing units set in silicone beds and putty - see Specification.
Screen to be finished in gloss paint to match original joinery.

LATTER | DAVIES
CHARTERED ARCHITECTS
6 PARK GROVE CARDIFF CF10 3BN
TEL 029 2023 1833

JOB
12 Lon Isa
Rhivbina

TITLE
Joinery Details - sheet 2 of 2
Lounge Patio Door

DRAWING NO.
561/17

SCALE	DRAWN	CHECKED	DATE
1:50@A3	cr	gd	Aug.2023
1:5@A3			