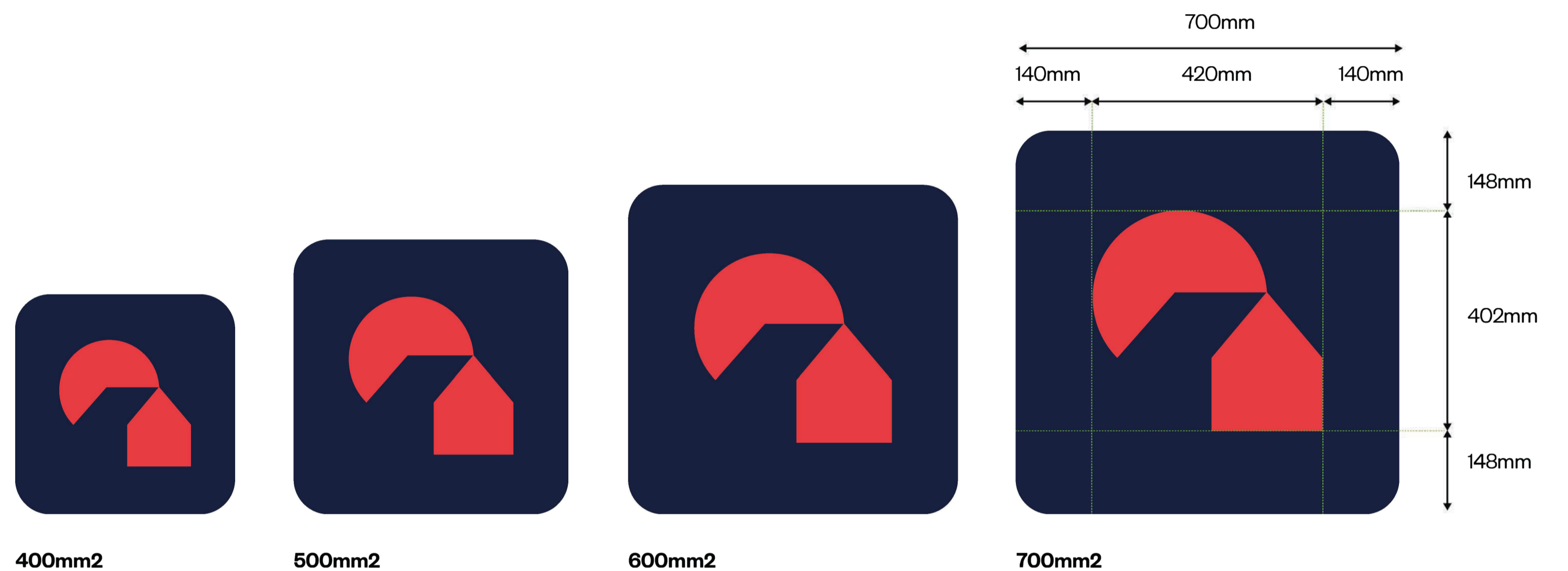


Projecting Sign

There are four sizes of projecting sign, available in illuminated or non-illuminated versions. Where possible this should include a red side-illumination as shown in the adjacent mockup:

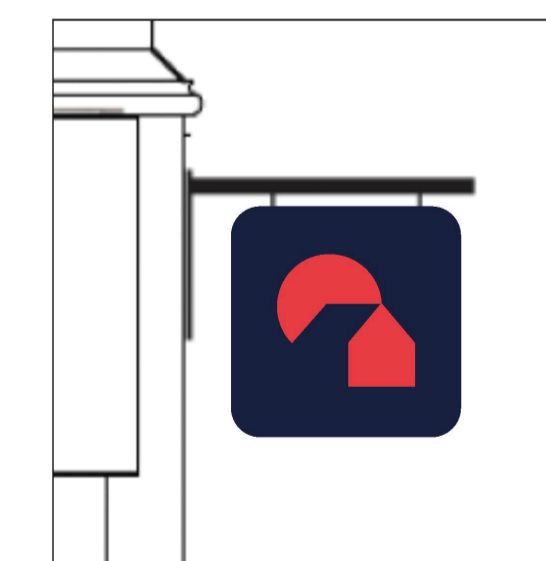
- 400mm2
- 500mm2
- 600mm2
- 700mm2

The adjacent table should be used as a guide for projecting sign size for each fascia height. Projecting signs should be placed on the fascia band. If this is not achievable due to lack of space or obstructions, then the projecting sign should be placed onto the architecture of the building close to the end of the fascia band. Do not apply the projecting sign to the fascia band if the band is relatively short and would result in the main logo being too close to the projecting sign.



Projecting Sign	Sign Size	Fascia Depth
Small	400mm2	<400mm or less
Medium	500mm2	401 - 999mm
Standard	600mm2	1000 - 1499mm
Large	700mm2	≥1500mm

Heritage Sign



Side Illumination



Note: Projecting Signs for a Heritage fascia, will normally be mounted on a Heritage bracket.

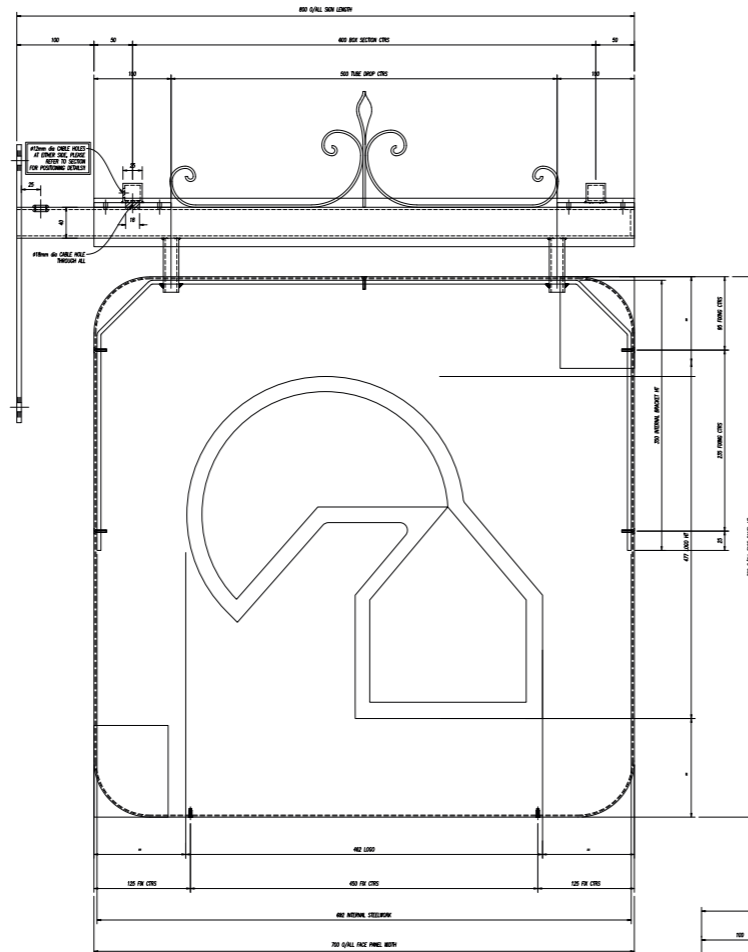
Heritage *(Illuminated)* Projecting Sign

1. **Internally Illuminated**
2. Illuminated Signage
3. Internally Illuminated Tablet
4. Illuminated Tablet Spec/Sizes
5. 'Building Society' text
6. 'Building Society' Spec/Sizes
7. Internally Illuminated Projecting Sign
8. Illuminated Projecting Sign Spec/Sizes
9. **Non-Illuminated Tablet**
10. Non-Illuminated tablet
11. Non-Illuminated Tablet Spec/Sizes
12. **Heritage**
13. Heritage Flat-Cut Letters
14. Heritage Built-Up Letter
15. Heritage Letters Spec/Sizes
16. Heritage Stacked Layout
17. Heritage Stacked Layout Spec/Sizes
18. Illuminated Heritage Projecting Sign
19. Illuminated Projecting Sign Spec/Sizes
20. Non-Illuminated Heritage Projecting Sign
21. Non-Illuminated Projecting Sign Spec/Sizes
22. **ATM**
23. Illuminated ATM Halo
24. Illuminated ATM
25. Non-Illuminated
26. Halo ATM Tablet
27. Non-Halo Tablet
28. **Tablet & Projecting Sign Principles**

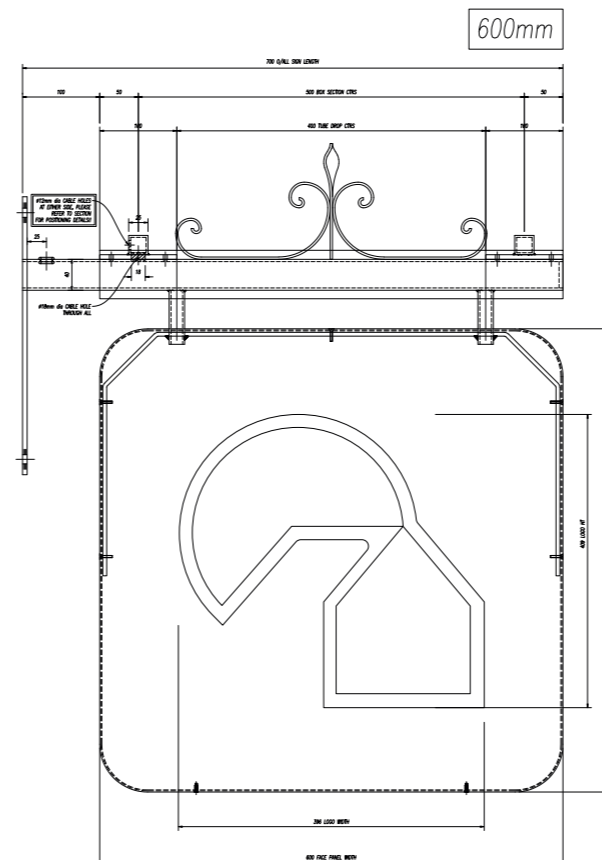


Heritage (Illuminated) Spec/Sizes

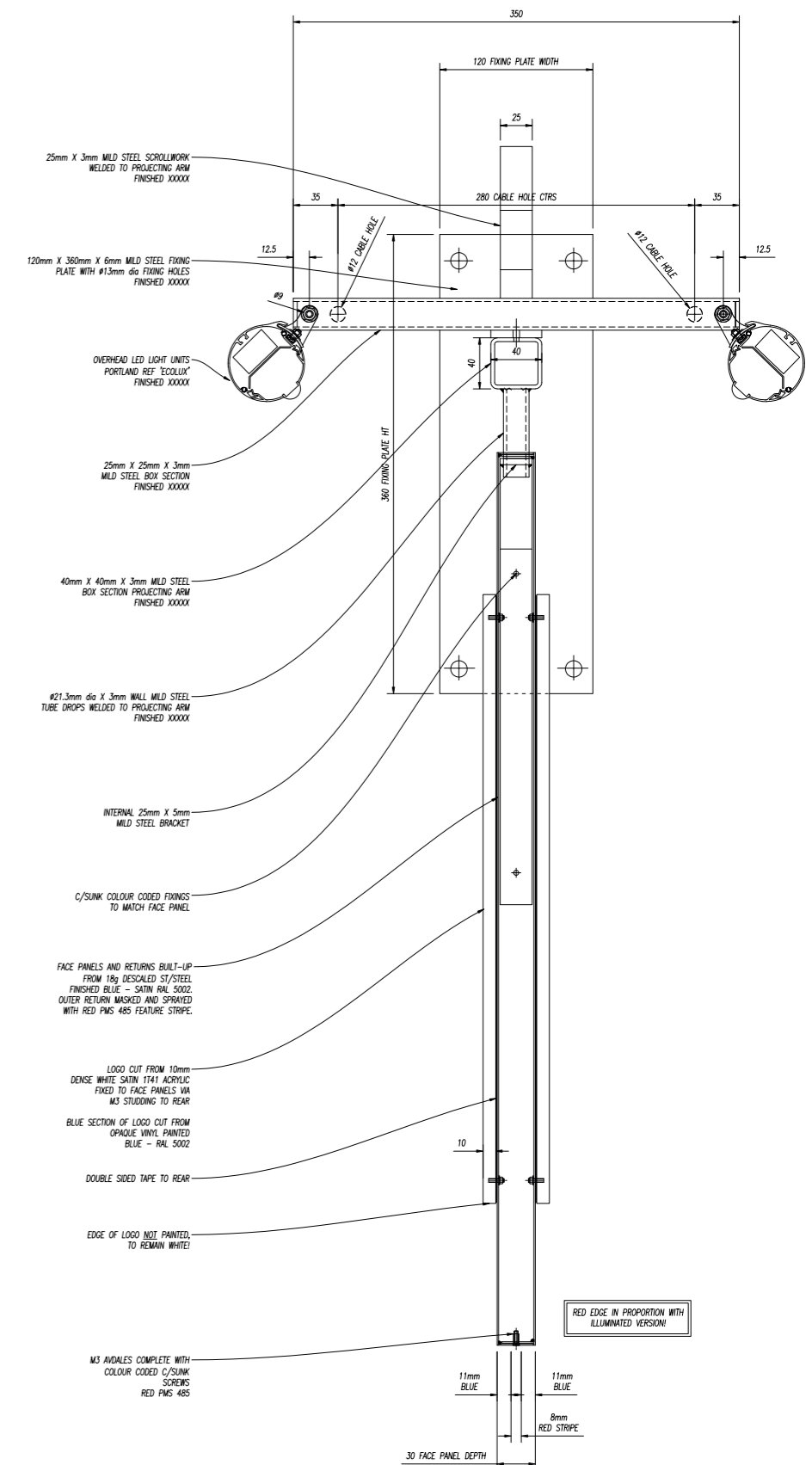
1. **Internally Illuminated**
2. Illuminated Signage
3. Internally Illuminated Tablet
4. Illuminated Tablet Spec/Sizes
5. 'Building Society' text
6. 'Building Society' Spec/Sizes
7. Internally Illuminated Projecting Sign
8. Illuminated Projecting Sign Spec/Sizes
9. **Non-Illuminated Tablet**
10. Non-Illuminated tablet
11. Non-Illuminated Tablet Spec/Sizes
12. **Heritage**
13. Heritage Flat-Cut Letters
14. Heritage Built-Up Letter
15. Heritage Letters Spec/Sizes
16. Heritage Stacked Layout
17. Heritage Stacked Layout Spec/Sizes
18. Illuminated Heritage Projecting Sign
19. Illuminated Projecting Sign Spec/Sizes
20. Non-Illuminated Heritage Projecting Sign
21. Non-Illuminated Projecting Sign Spec/Sizes
22. **ATM**
23. Illuminated ATM Halo
24. Illuminated ATM
25. Non-Illuminated
26. Halo ATM Tablet
27. Non-Halo Tablet
28. **Tablet & Projecting Sign Principles**



700mm



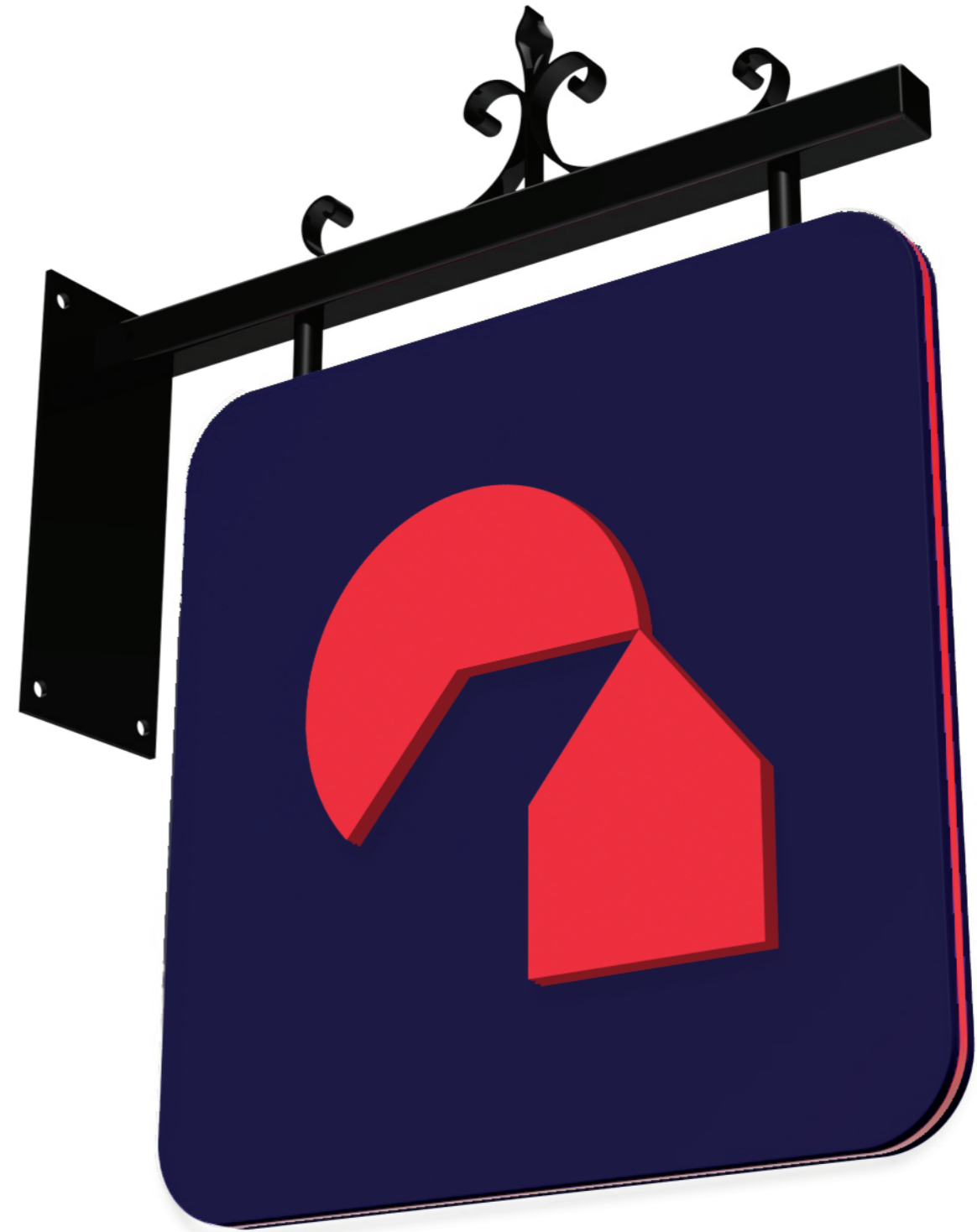
600mm



RED EDGE IN PROPORTION WITH ILLUMINATED VERSION!

Heritage *(Non-Illuminated)* Projecting Sign

1. **Internally Illuminated**
2. Illuminated Signage
3. Internally Illuminated Tablet
4. Illuminated Tablet Spec/Sizes
5. 'Building Society' text
6. 'Building Society' Spec/Sizes
7. Internally Illuminated Projecting Sign
8. Illuminated Projecting Sign Spec/Sizes
9. **Non-Illuminated Tablet**
10. Non-Illuminated tablet
11. Non-Illuminated Tablet Spec/Sizes
12. **Heritage**
13. Heritage Flat-Cut Letters
14. Heritage Built-Up Letter
15. Heritage Letters Spec/Sizes
16. Heritage Stacked Layout
17. Heritage Stacked Layout Spec/Sizes
18. Illuminated Heritage Projecting Sign
19. Illuminated Projecting Sign Spec/Sizes
20. Non-Illuminated Heritage Projecting Sign
21. Non-Illuminated Projecting Sign Spec/Sizes
22. **ATM**
23. Illuminated ATM Halo
24. Illuminated ATM
25. Non-Illuminated
26. Halo ATM Tablet
27. Non-Halo Tablet
28. **Tablet & Projecting Sign Principles**



Heritage (Non-Illuminated) Spec/Sizes

1. **Internally Illuminated**
2. Illuminated Signage
3. Internally Illuminated Tablet
4. Illuminated Tablet Spec/Sizes
5. 'Building Society' text
6. 'Building Society' Spec/Sizes
7. Internally Illuminated Projecting Sign
8. Illuminated Projecting Sign Spec/Sizes
9. **Non-Illuminated Tablet**
10. Non-Illuminated tablet
11. Non-Illuminated Tablet Spec/Sizes
12. **Heritage**
13. Heritage Flat-Cut Letters
14. Heritage Built-Up Letter
15. Heritage Letters Spec/Sizes
16. Heritage Stacked Layout
17. Heritage Stacked Layout Spec/Sizes
18. Illuminated Heritage Projecting Sign
19. Illuminated Projecting Sign Spec/Sizes
20. Non-Illuminated Heritage Projecting Sign
21. Non-Illuminated Projecting Sign Spec/Sizes
22. **ATM**
23. Illuminated ATM Halo
24. Illuminated ATM
25. Non-Illuminated
26. Halo ATM Tablet
27. Non-Halo Tablet
28. **Tablet & Projecting Sign Principles**

