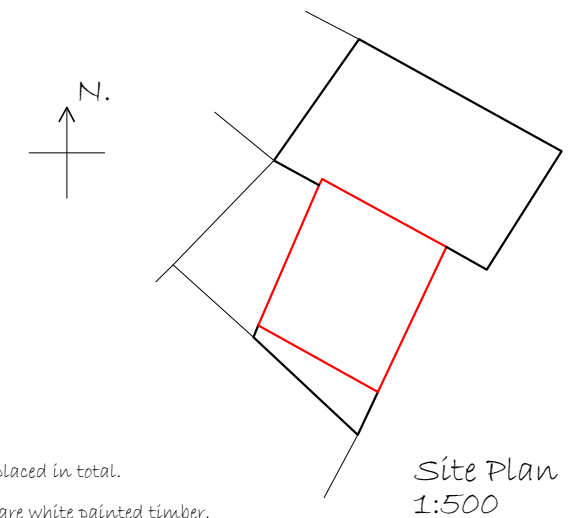
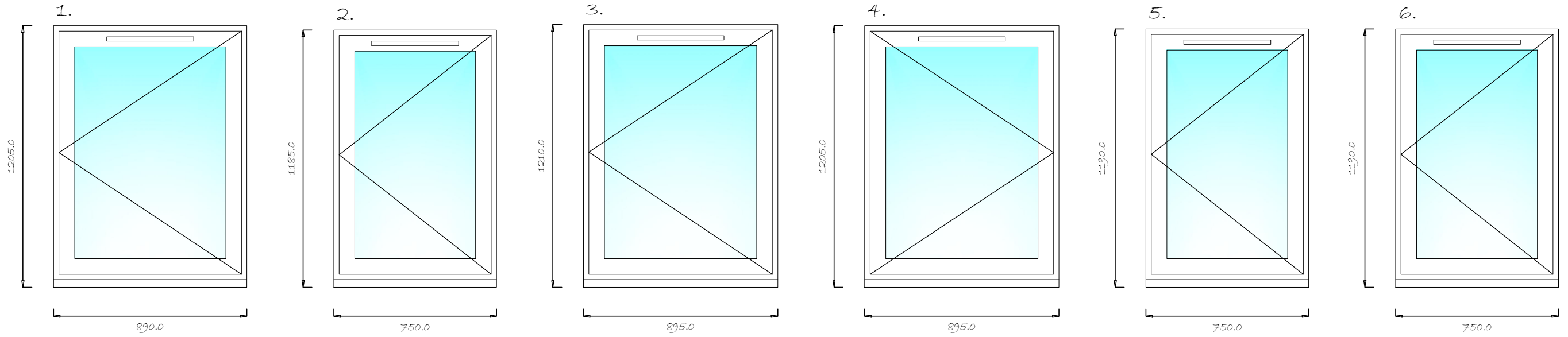
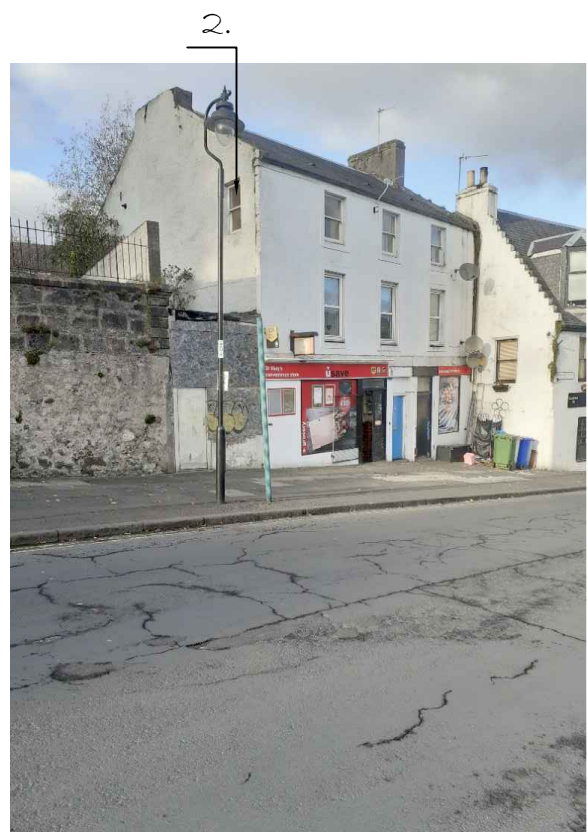


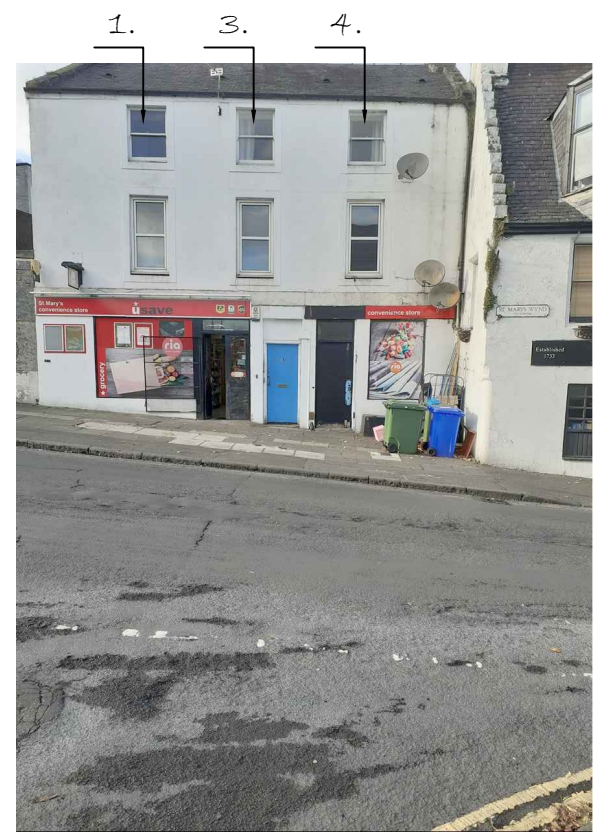
Proposed Replacement Windows 1:20



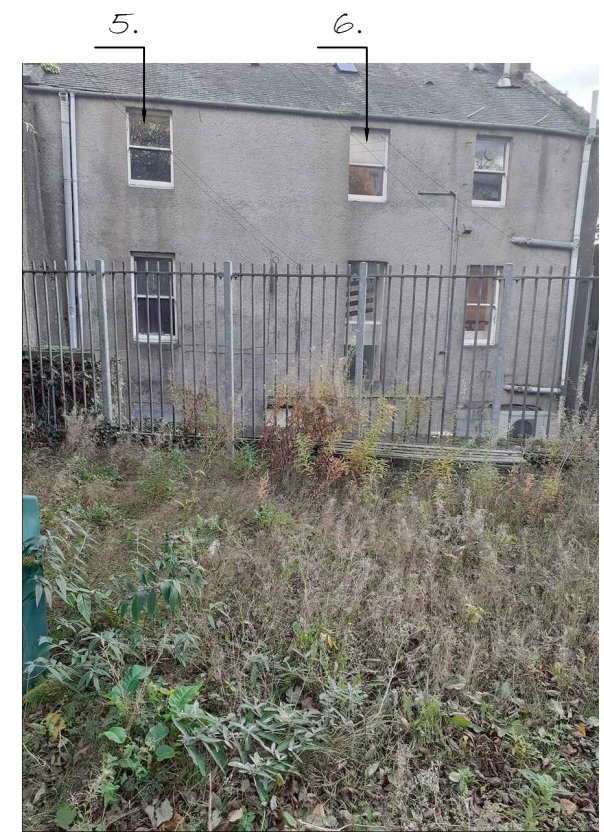
6 windows to be replaced in total.
Existing windows are white painted timber.
Proposed windows are white UPVC, double glazed.



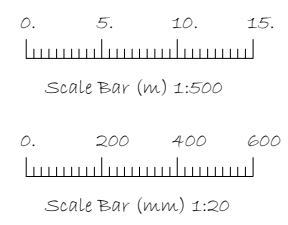
Southeast Elevation



Southeast Elevation



Northwest Elevation



Ms. E. Dodd,
87B St. Mary's Wynd,
Stirling. FK8 1BU.

Proposed Replacement Windows
Scale: 1:20 15/11/23

Ref: 30393608/1



John Gordon Associates Ltd.
3 Dean Acres,
Comrie,
Fife. KY12 9XS
Tel: 01383 850 134
E-mail: gordonassociates@sky.com

Copyright of this drawing, and all other associated drawings, is owned by John Gordon Associates Ltd at the above address.