

**SC Shaw Designs Ltd**  
creating beautiful spaces

W: [www.sshawdesigns.co.uk](http://www.sshawdesigns.co.uk) M: 079 8382 2179  
E: [info@sshawdesigns.co.uk](mailto:info@sshawdesigns.co.uk)

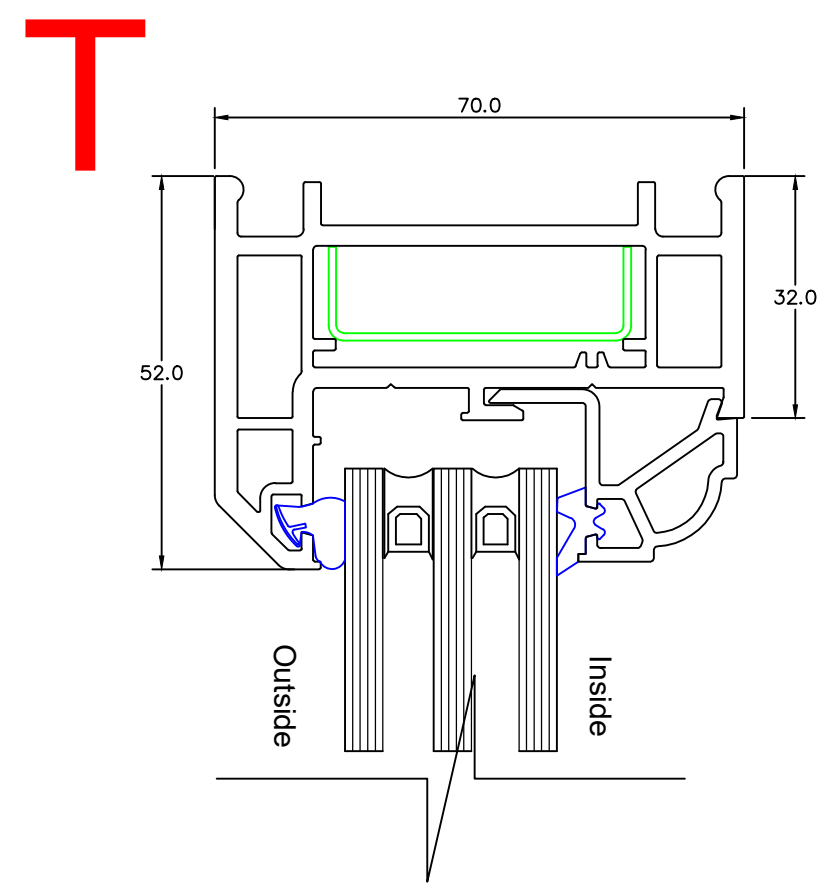
**Axis:**

**General Notes:**

ALL LEVELS, ANGLES AND DIMENSIONS TO BE CHECKED ON SITE PRIOR TO COMMENCEMENT OF WORKS.

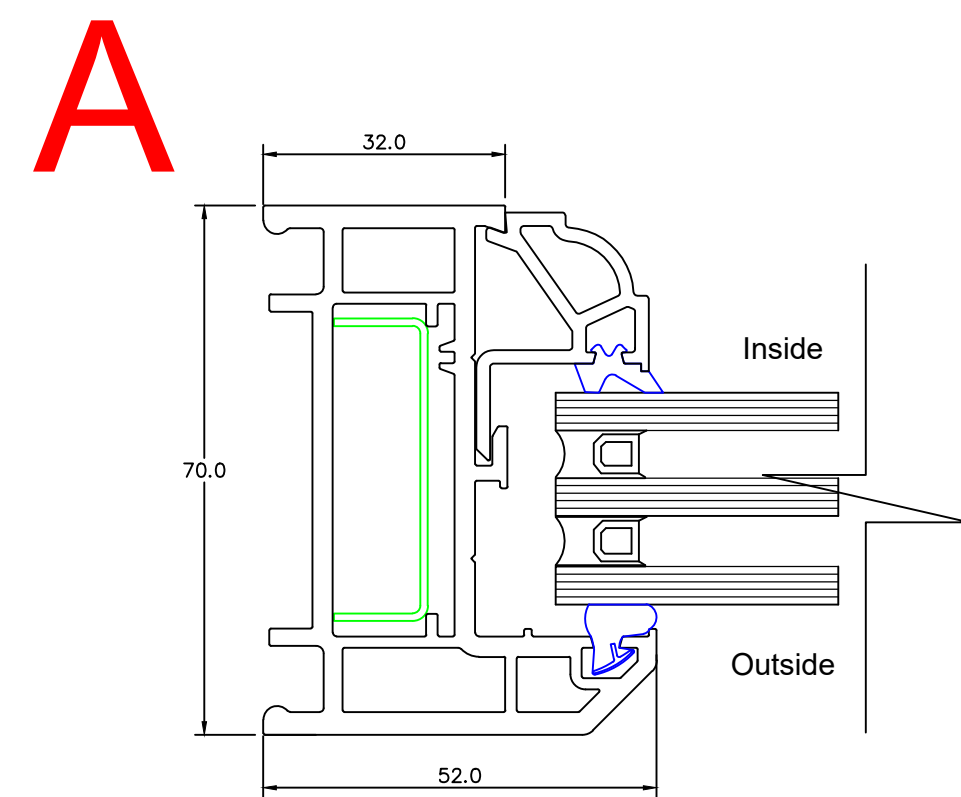
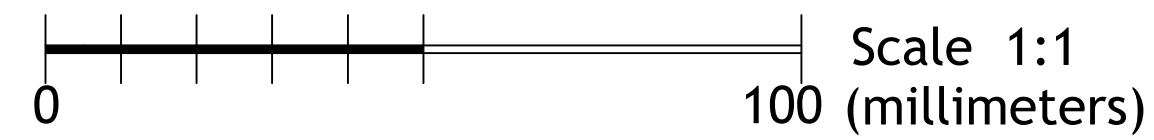
THIS DRAWING IS TO BE READ IN CONJUNCTION WITH ALL RELEVANT STRUCTURAL ENGINEERS AND MECHANICAL AND ELECTRICAL ENGINEERS DRAWINGS, DETAILS AND SPECIFICATIONS.

To be read in conjunction with Window Schedule



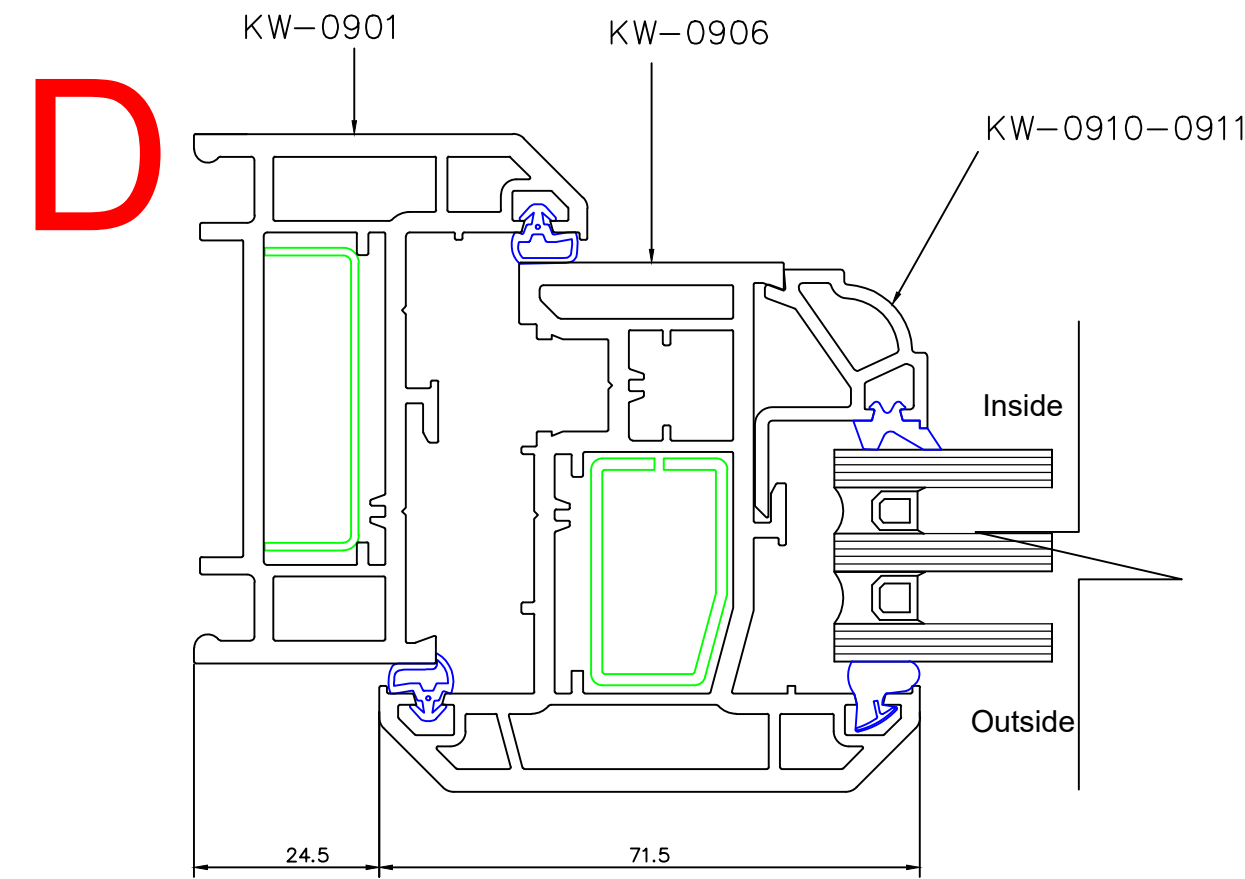
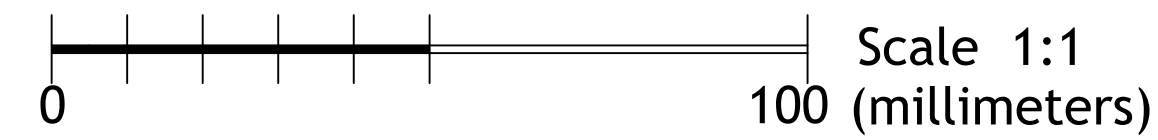
**TYPICAL PROPOSED DETAIL "T"**

scale 1:1 @ A1



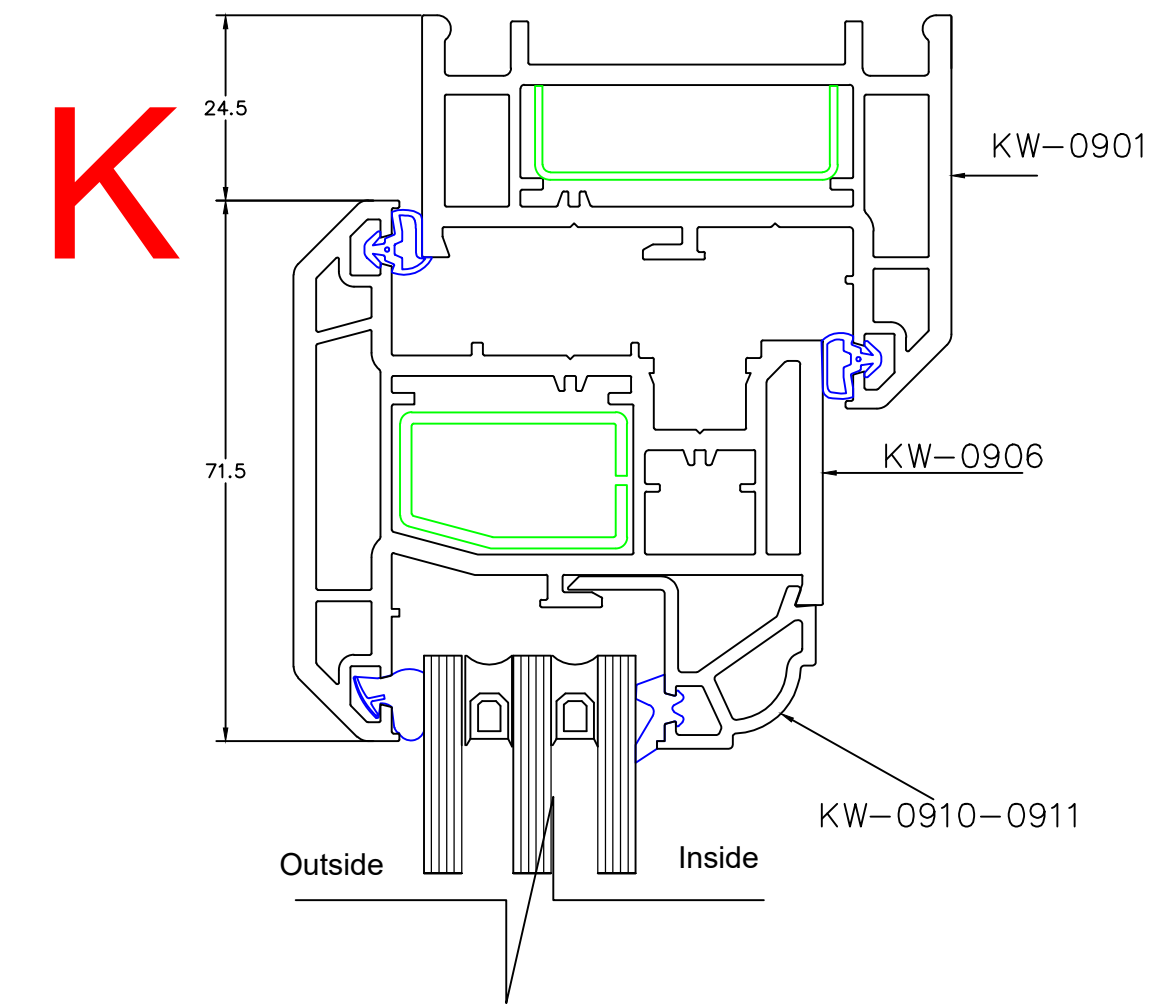
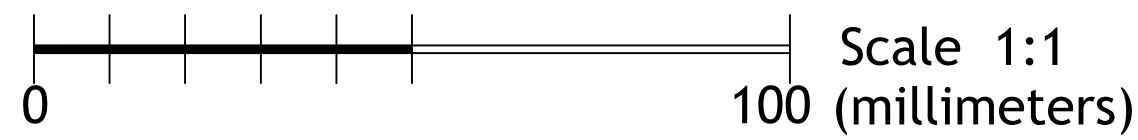
**TYPICAL PROPOSED DETAIL "A"**

scale 1:1 @ A1



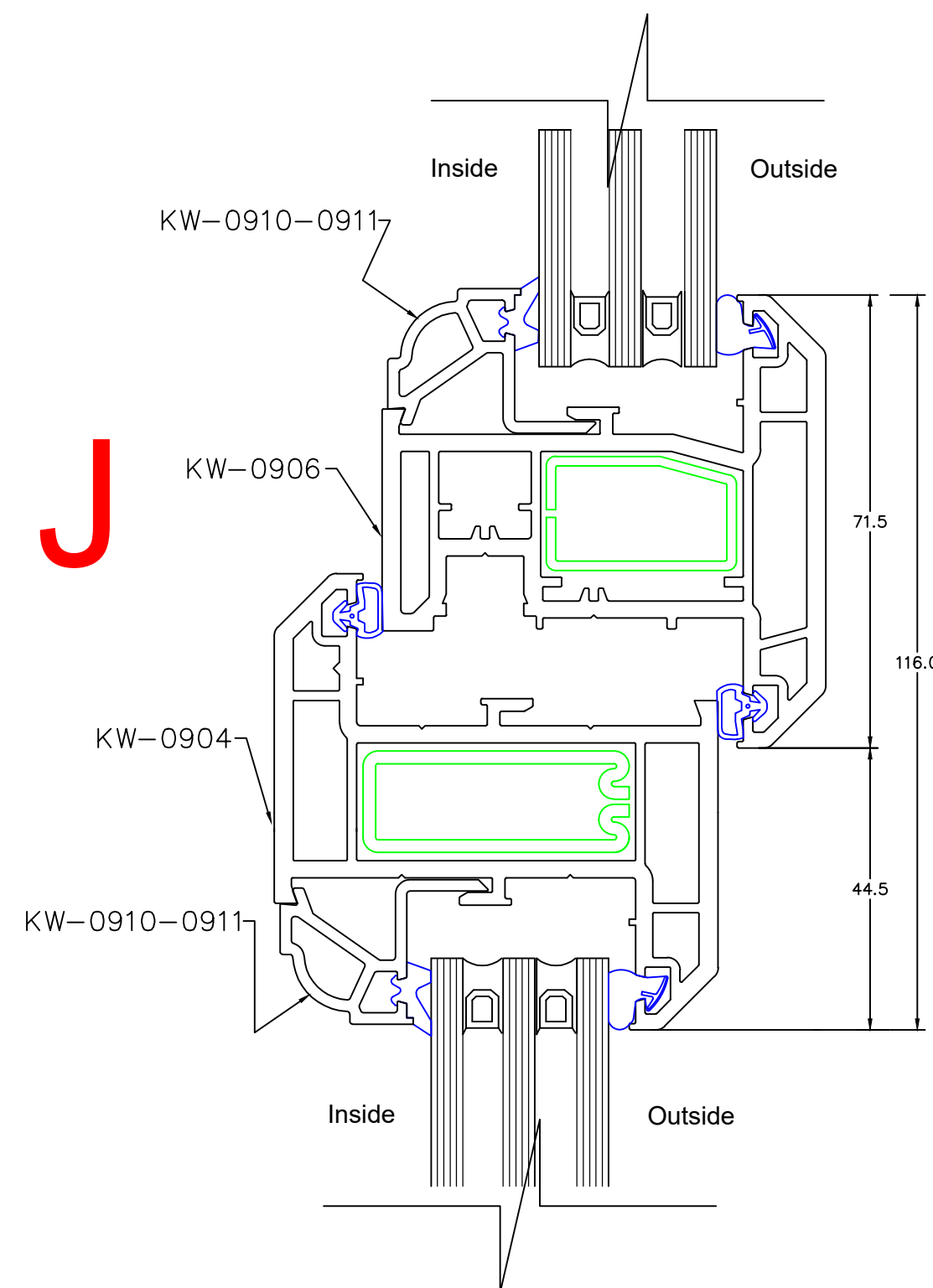
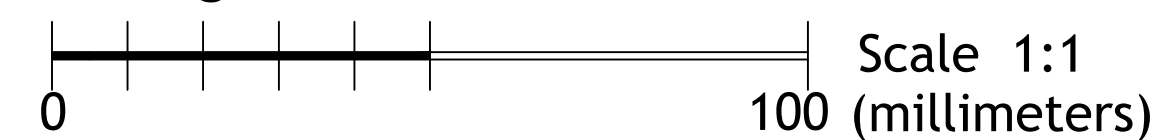
**TYPICAL PROPOSED DETAIL "D"**

scale 1:1 @ A1



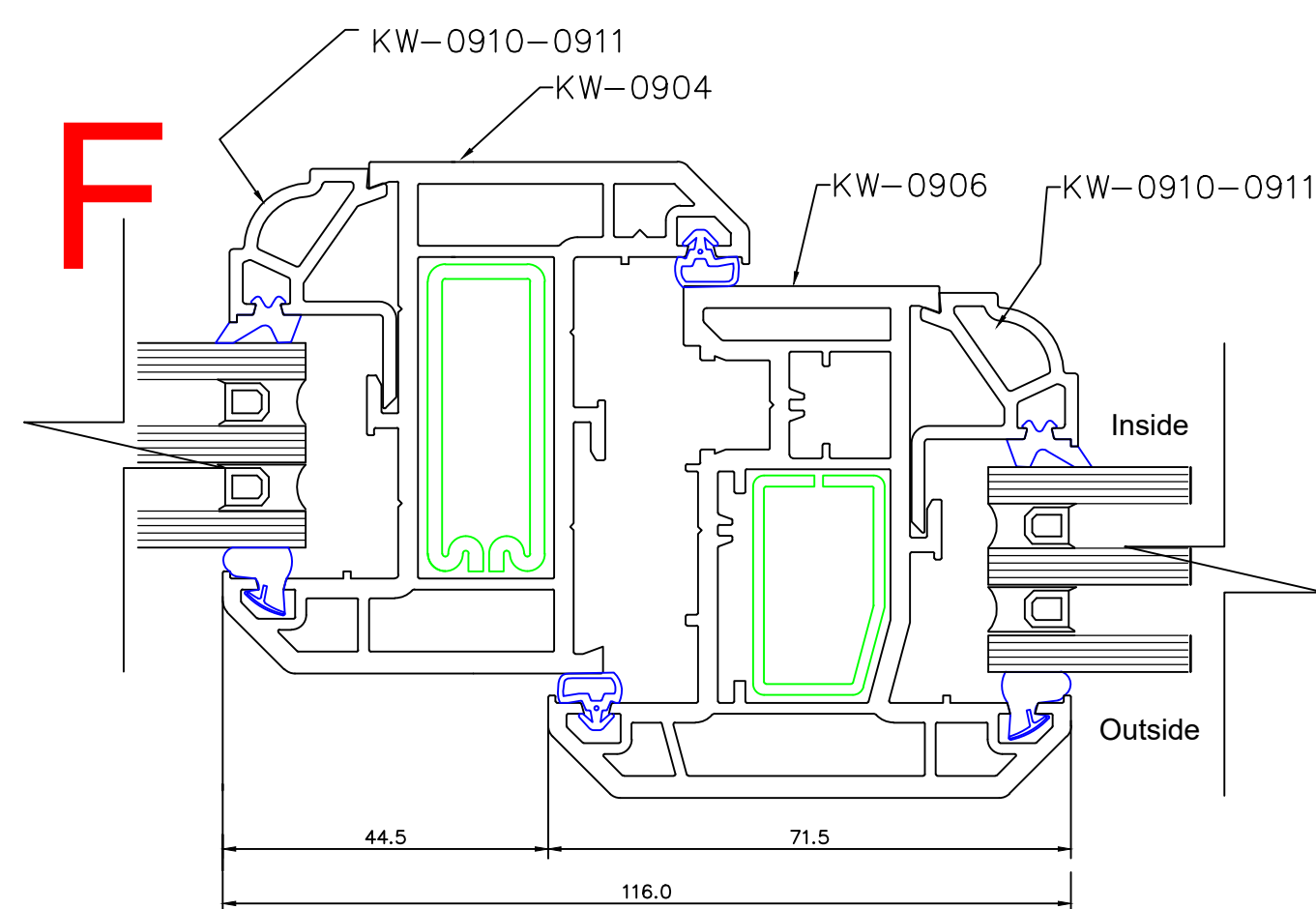
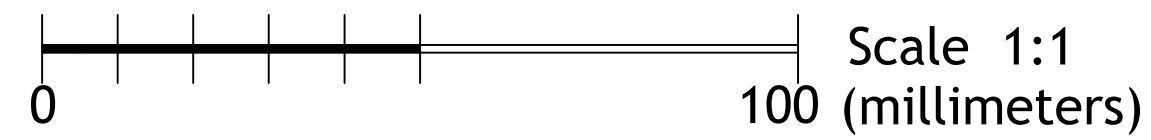
**TYPICAL PROPOSED DETAIL "K"**

scale 1:1 @ A1



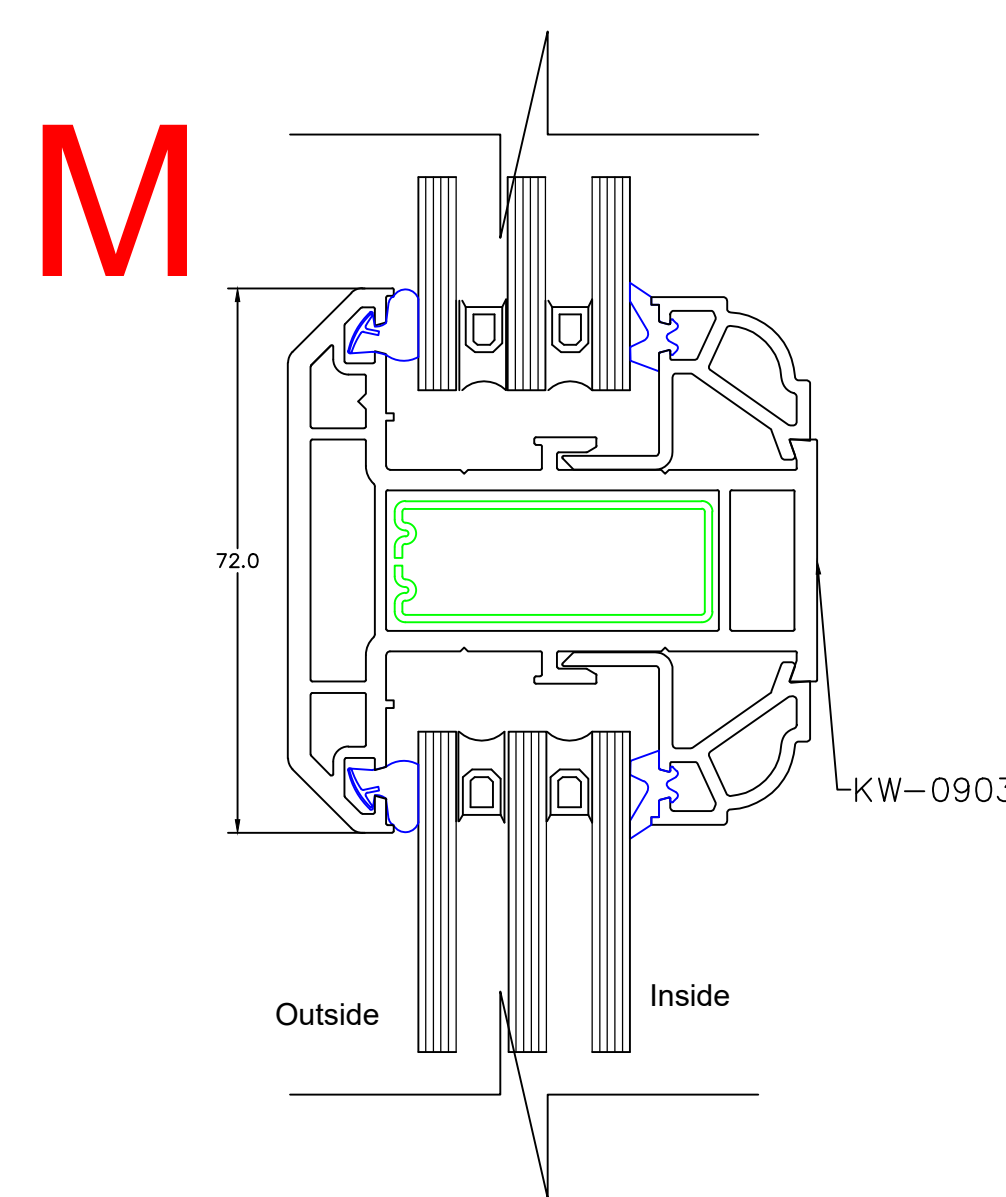
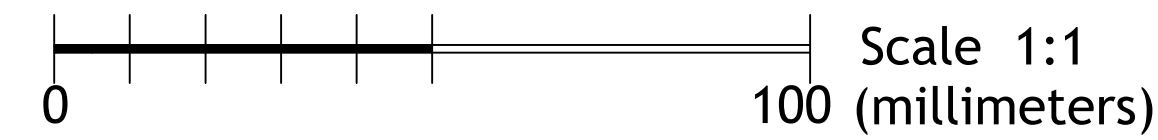
**TYPICAL PROPOSED DETAIL "J"**

scale 1:1 @ A1



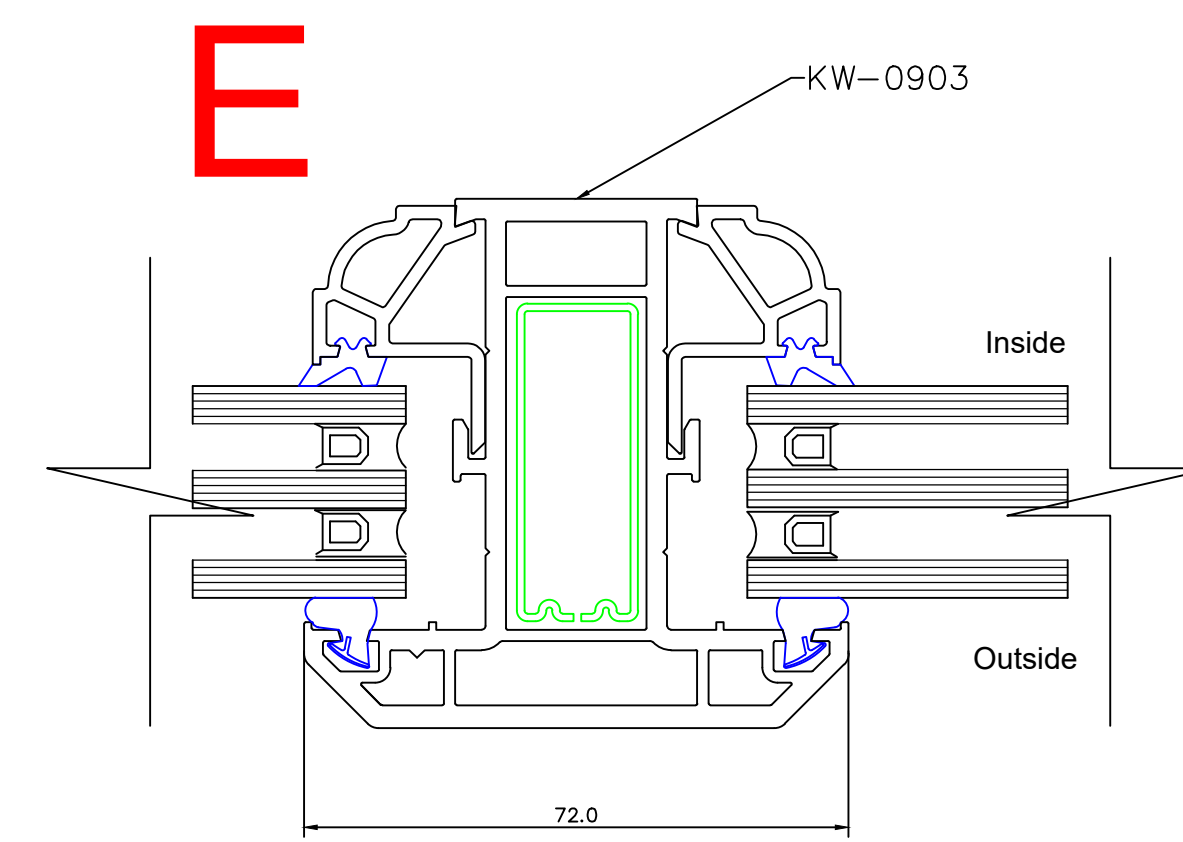
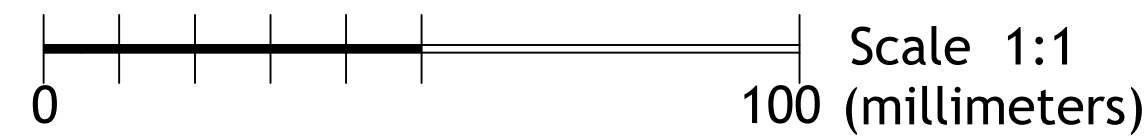
**TYPICAL PROPOSED DETAIL "F"**

scale 1:1 @ A1



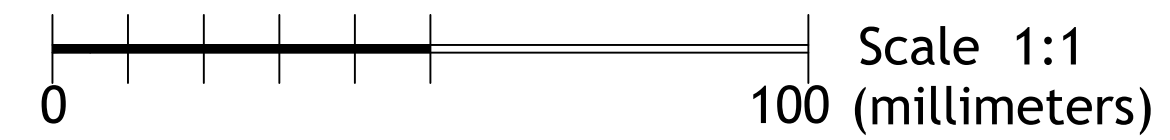
**TYPICAL PROPOSED DETAIL "M"**

scale 1:1 @ A1



**TYPICAL PROPOSED DETAIL "E"**

scale 1:1 @ A1



Date	Issue	Revision	Initial

Status:

**PLANNING**

Client:



Customer:

Mr Tony Fox

Project:

**Proposed Windows, and Doors Replacement**

Site Address:

35 Main Street  
DOUNE, Perthshire,  
FK16 6BJ

Sheet Title:

- Typical Proposed Window Details

Scale:	Date:	Drawn:	Checked:
As Shown @ A1	Nov 2023	SCS	SCS

Drawing Ref.

NH1045BD

Sheet No.

**A-05**

Revision No.:

© THIS DRAWING IS A COPYRIGHT OF SC SHAW DESIGNS LTD.  
© CROWN COPYRIGHT 2023. ALL RIGHTS RESERVED.  
LICENCE NUMBER 0100031673