

**SC Shaw Designs Ltd**  
creating beautiful spaces

W: www.sshawdesigns.co.uk | M: 079 8382 2179  
E: info@sshawdesigns.co.uk

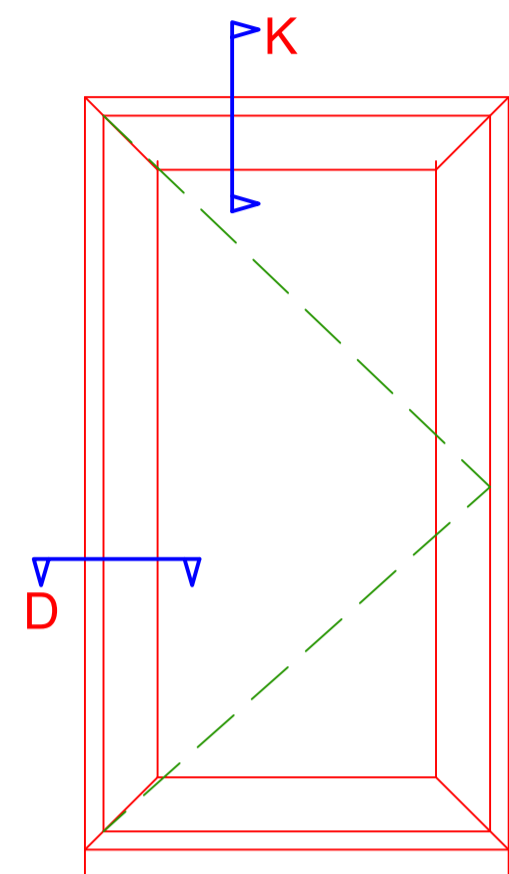
Axis:

**General Notes:**

ALL LEVELS, ANGLES AND DIMENSIONS TO BE CHECKED ON SITE PRIOR TO COMMENCEMENT OF WORKS.

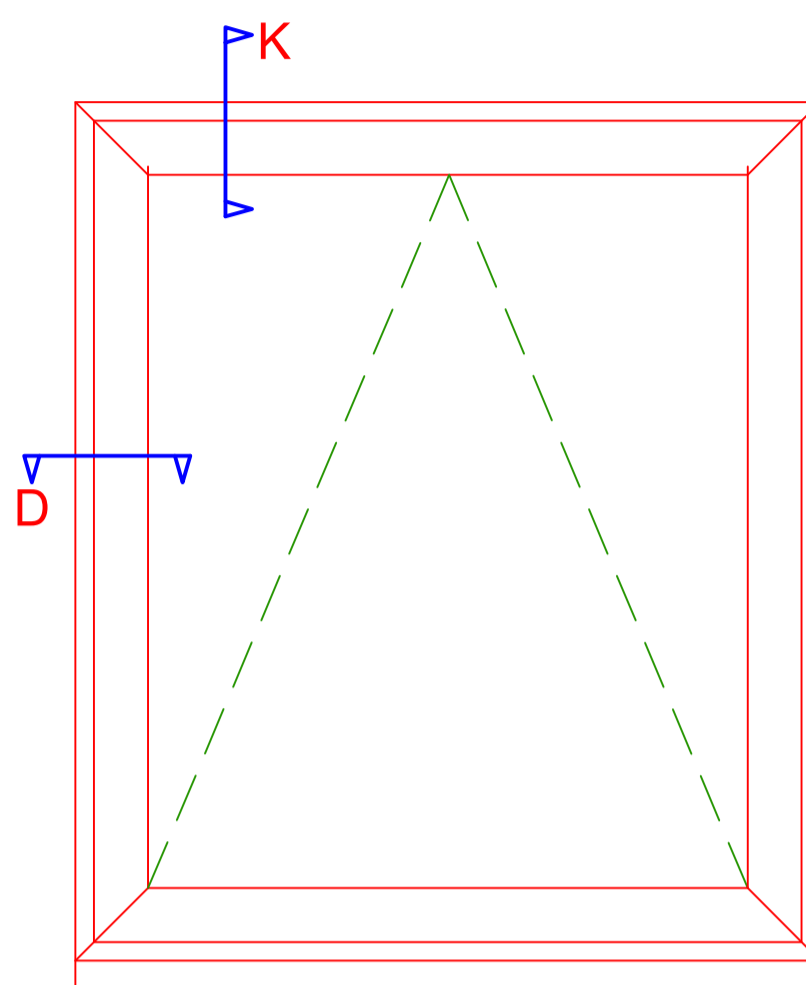
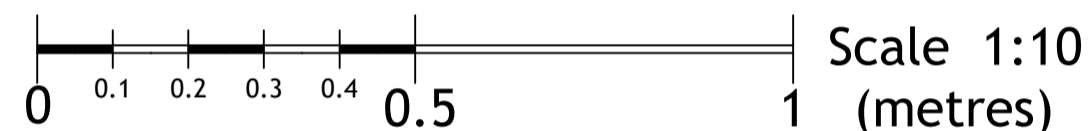
THIS DRAWING IS TO BE READ IN CONJUNCTION WITH ALL RELEVANT STRUCTURAL ENGINEERS AND MECHANICAL AND ELECTRICAL ENGINEERS DRAWINGS, DETAILS AND SPECIFICATIONS.

To be read in conjunction with Window Schedule



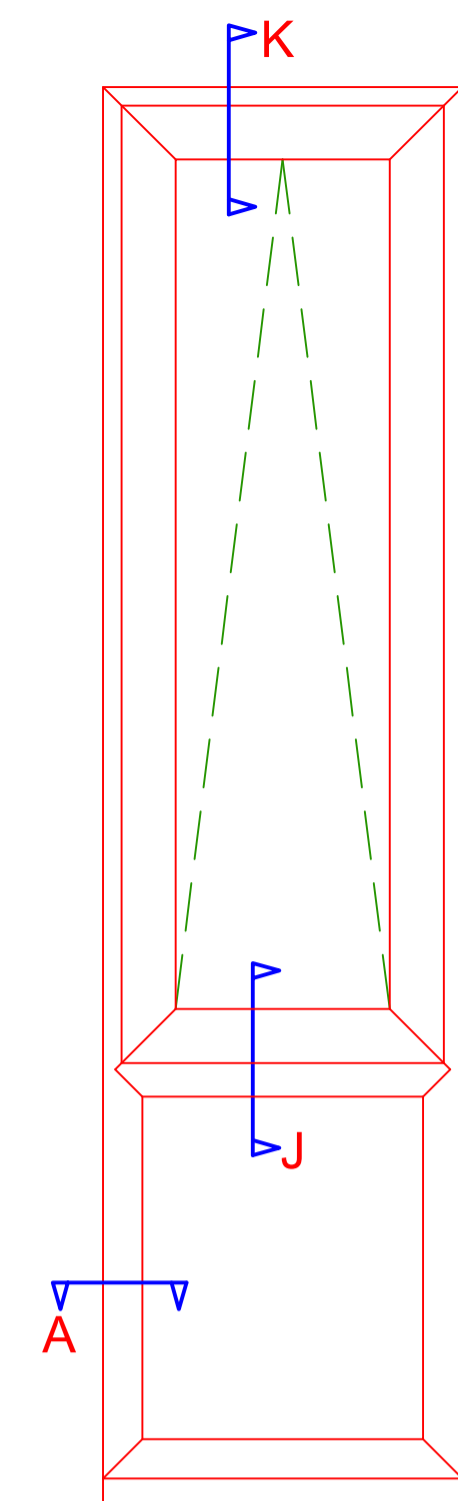
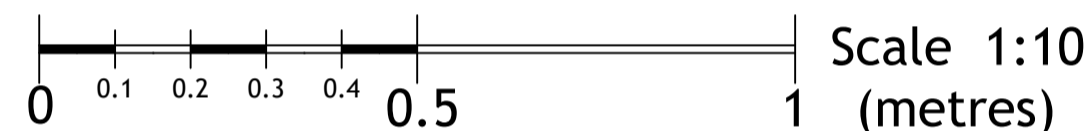
**PROPOSED TYPICAL WINDOW TYPE - W9**

scale 1:10 @ A1



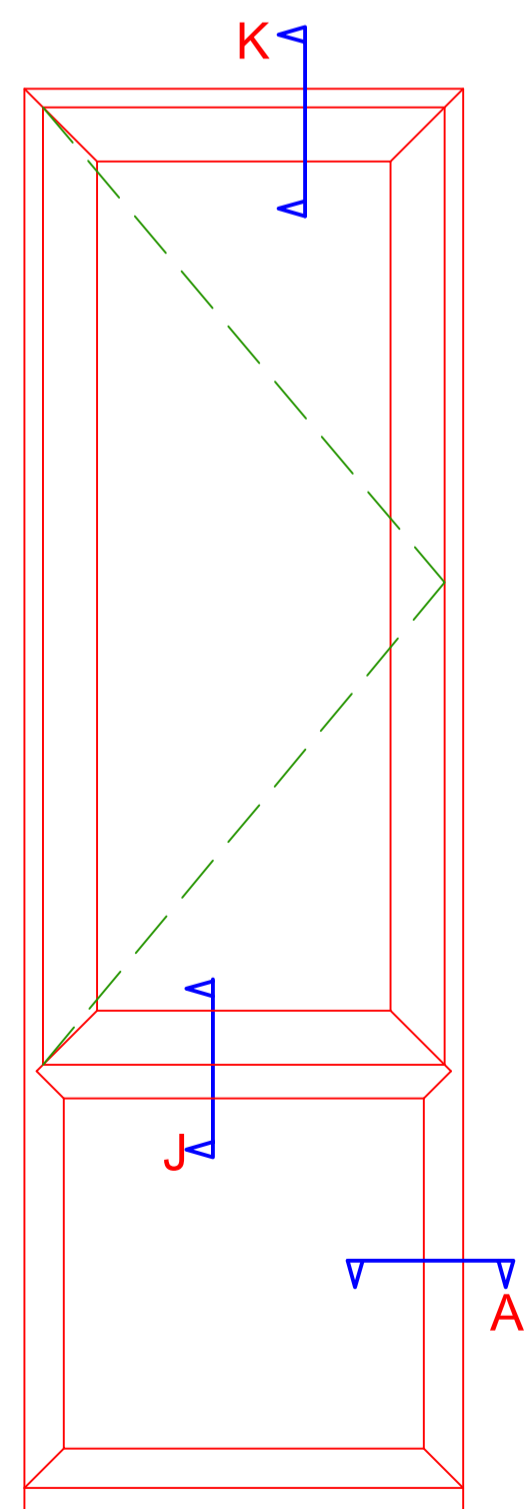
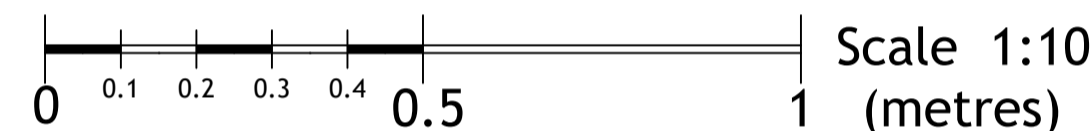
**PROPOSED TYPICAL WINDOW TYPE - W5, W6, W7, W8**

scale 1:10 @ A1



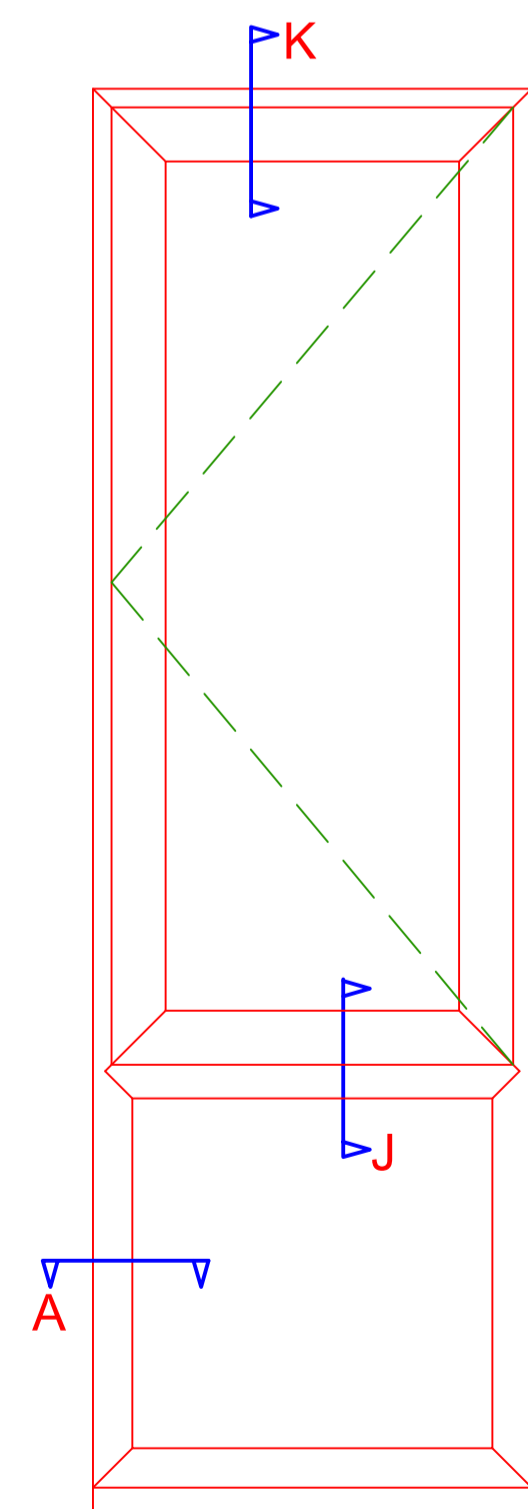
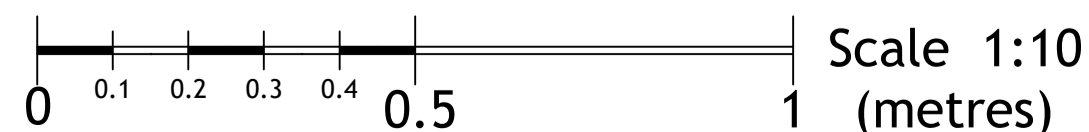
**PROPOSED TYPICAL WINDOW TYPE - W1, W2, W3**

scale 1:10 @ A1



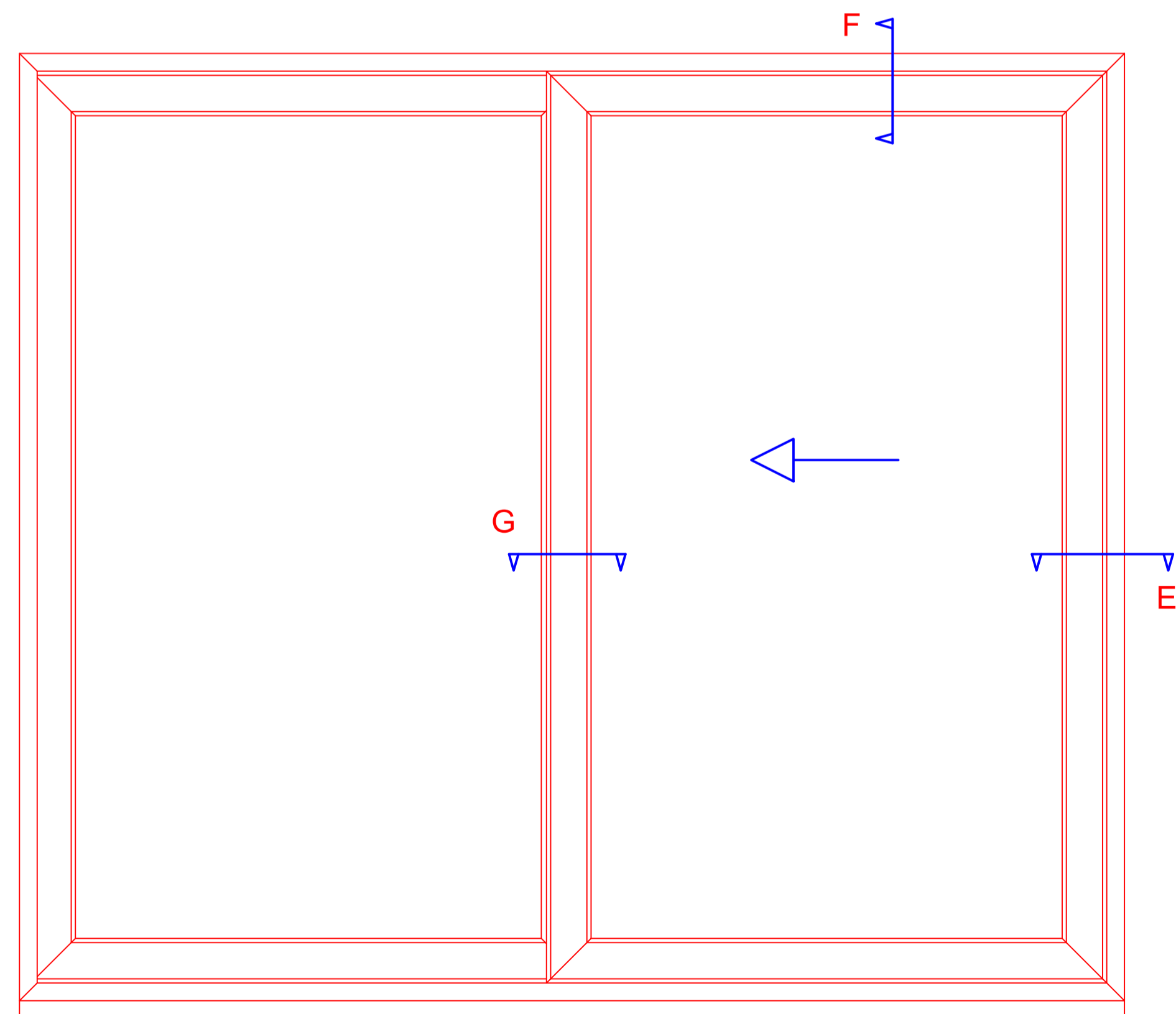
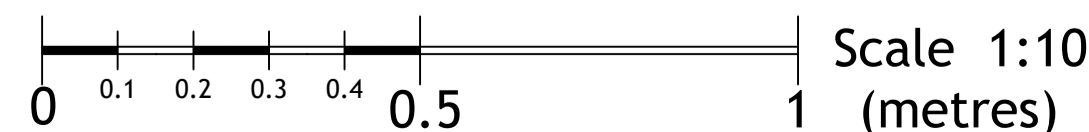
**PROPOSED TYPICAL WINDOW TYPE - W10**

scale 1:10 @ A1



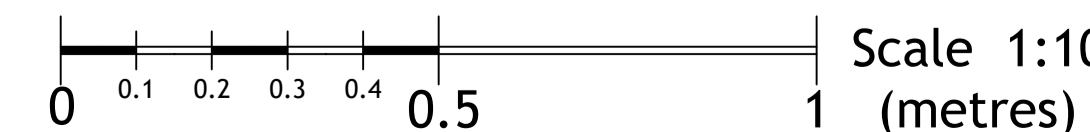
**PROPOSED TYPICAL WINDOW TYPE - W11**

scale 1:10 @ A1



**PROPOSED TYPICAL DOOR TYPE - D4**

scale 1:10 @ A1



Date	Issue	Revision	Initial

Status:

**PLANNING**

Client:



Customer:

Mr Tony Fox

Project:

Proposed Windows, and Doors Replacement

Site Address:

35 Main Street  
DOUNE, Perthshire,  
FK16 6BJ

Sheet Title:

- Typical Proposed Window Elevational View
- Typical Proposed Door Elevational View

Scale:	Date:	Drawn:	Checked:
As Shown @ A1	Nov 2023	SCS	SCS

Drawing Ref.

NH1045BD

Sheet No.

**A-04**

Revision No.: