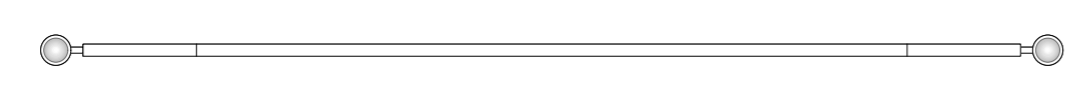
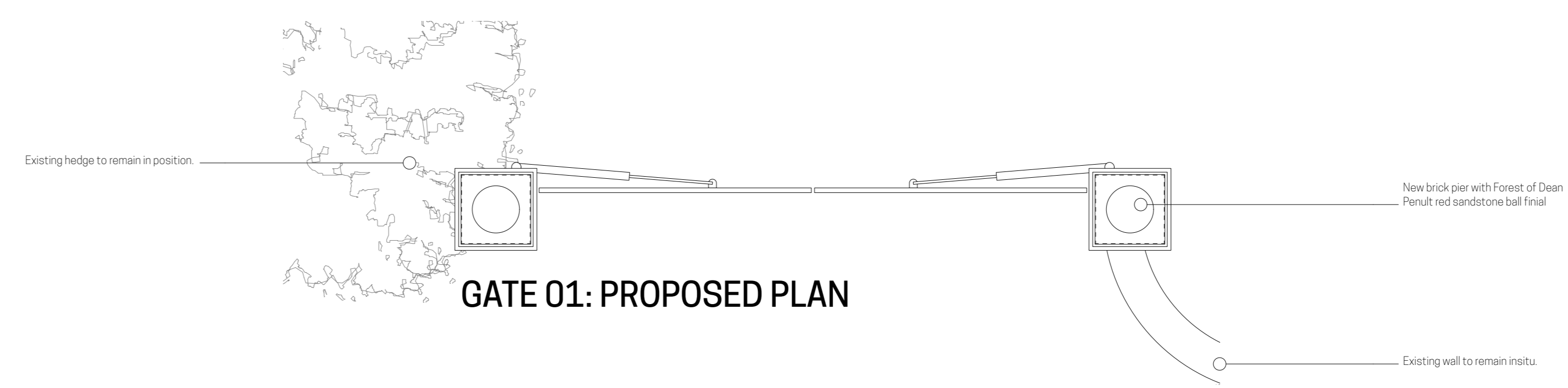


Notes:
 this drawing is copyright to Koda Architects Ltd | do NOT scale off
 this drawing | all dimensions to be checked on site - do not rely on
 these measurements | any errors or discrepancies to be reported to
 the architect immediately

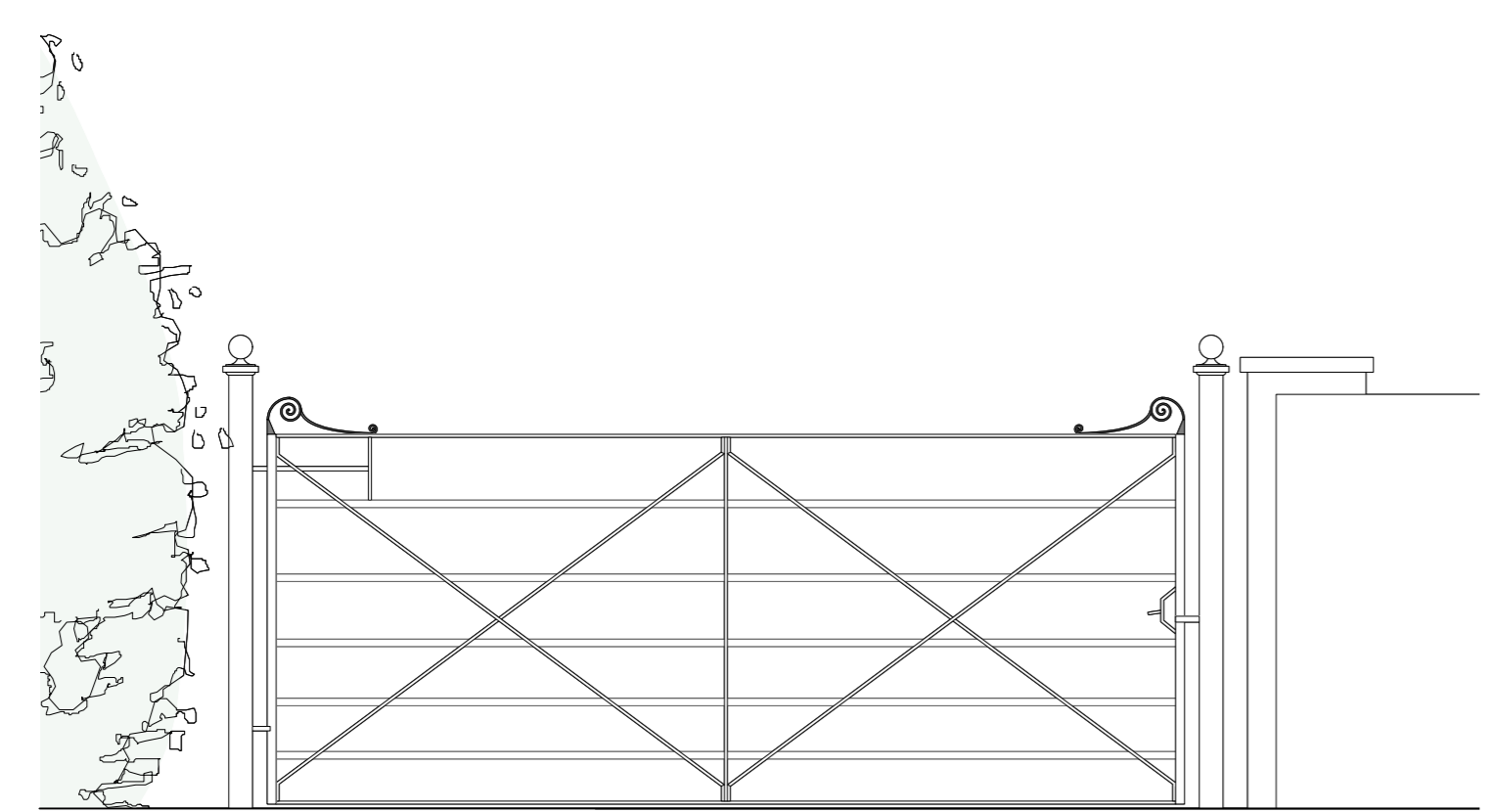
DESCRIPTION: Amendments to gate design
 DATE: 07.09.23
 REV: A



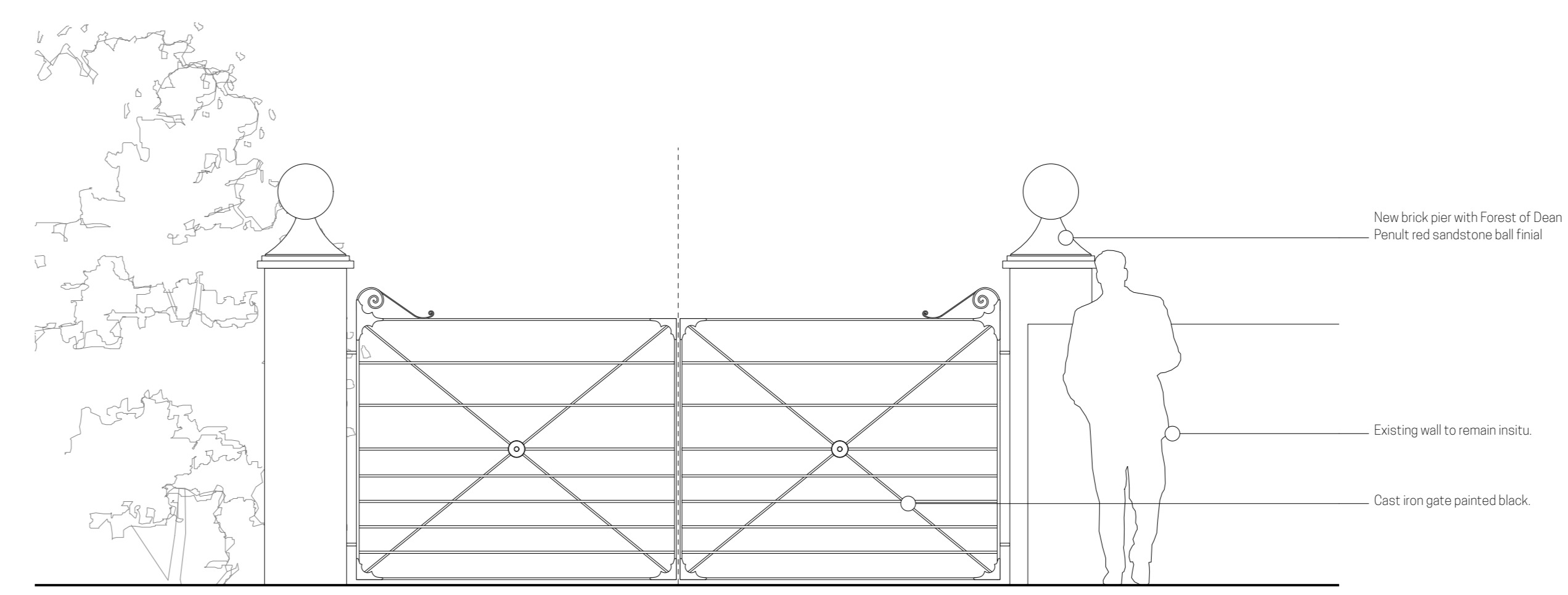
GATE 01: EXISTING PLAN



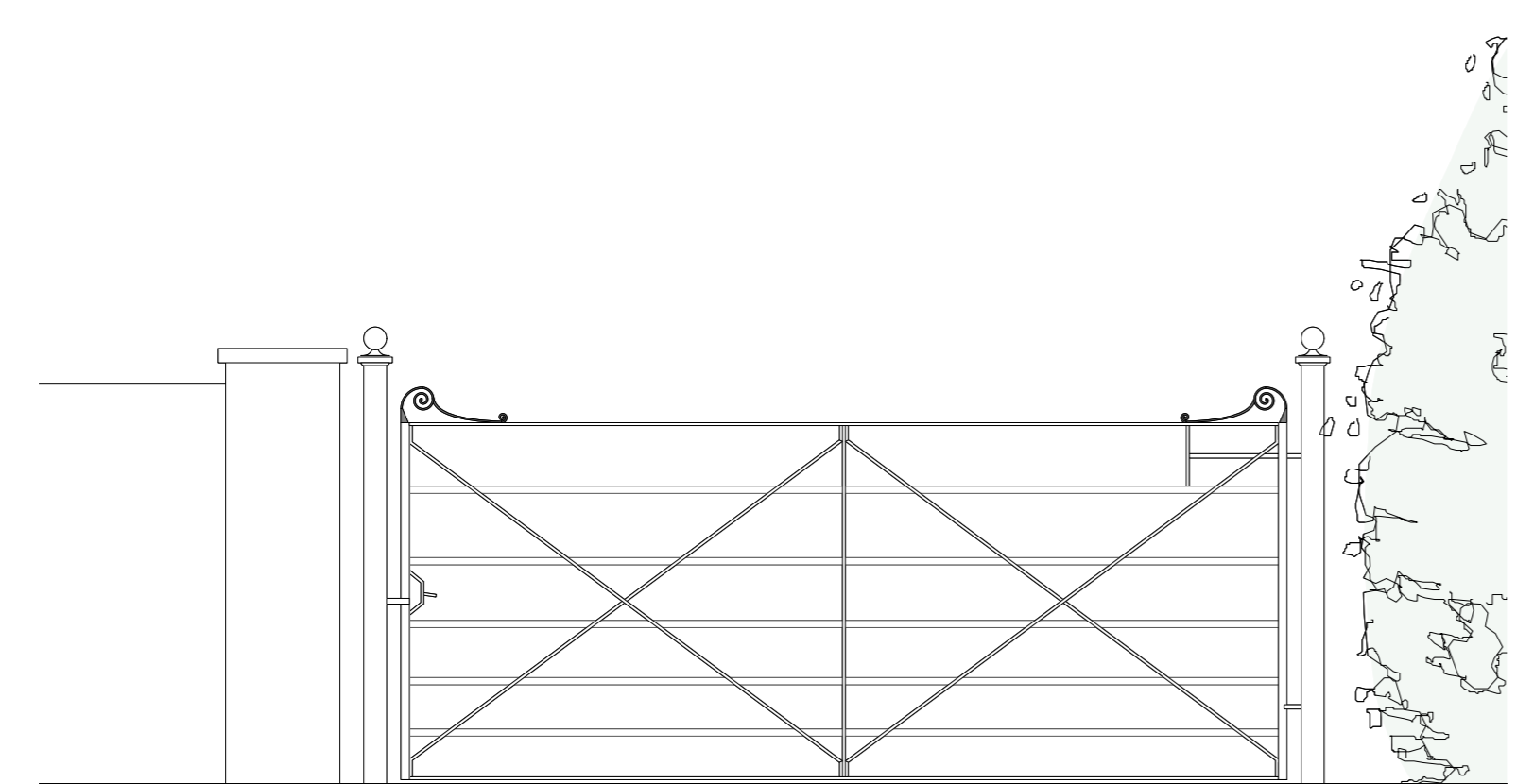
GATE 01: PROPOSED PLAN



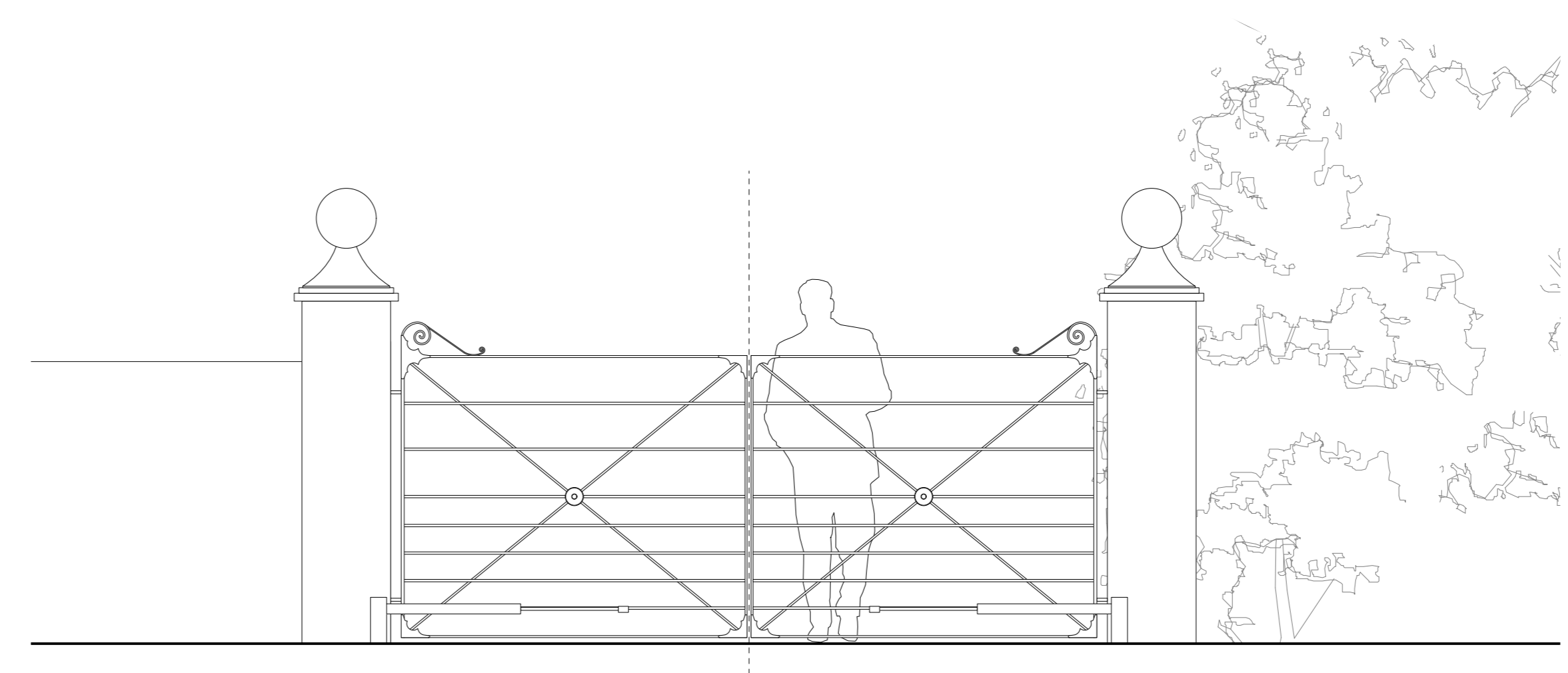
GATE 01: EXISTING FRONT ELEVATION



GATE 01: PROPOSED FRONT ELEVATION



GATE 01: EXISTING REAR ELEVATION



GATE 01: PROPOSED REAR ELEVATION



KODA
 architects and historic building consultants

E: info@kodaarchitects.com
 T: 01432 805459 W: www.kodaarchitects.com

CLIENT: L. SHARP SMITH & J. FORD
 SITE ADDRESS: THE OLD RECTORY
 RED MARLEY
 GLOUCESTERSHIRE
 GL19 3NB

DWG No: 1972 350
 Date: MAY 2023
 Rev: A
 Scale: 1:25 @A1 1:50 @A3
 Drawn by: AJ
 Status: PLANNING SUBMISSION
 Drawing title: GATE 01