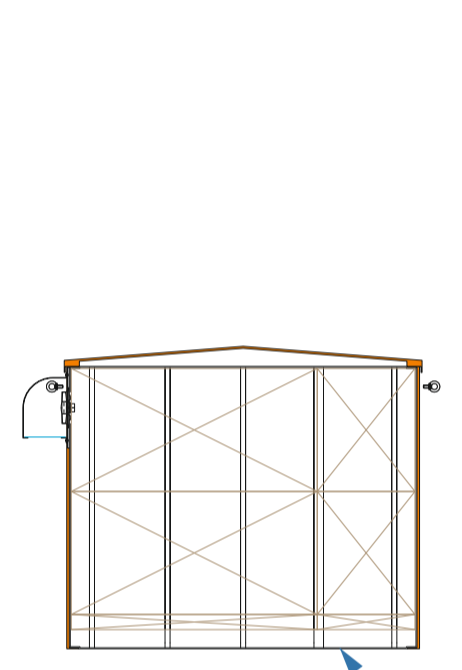
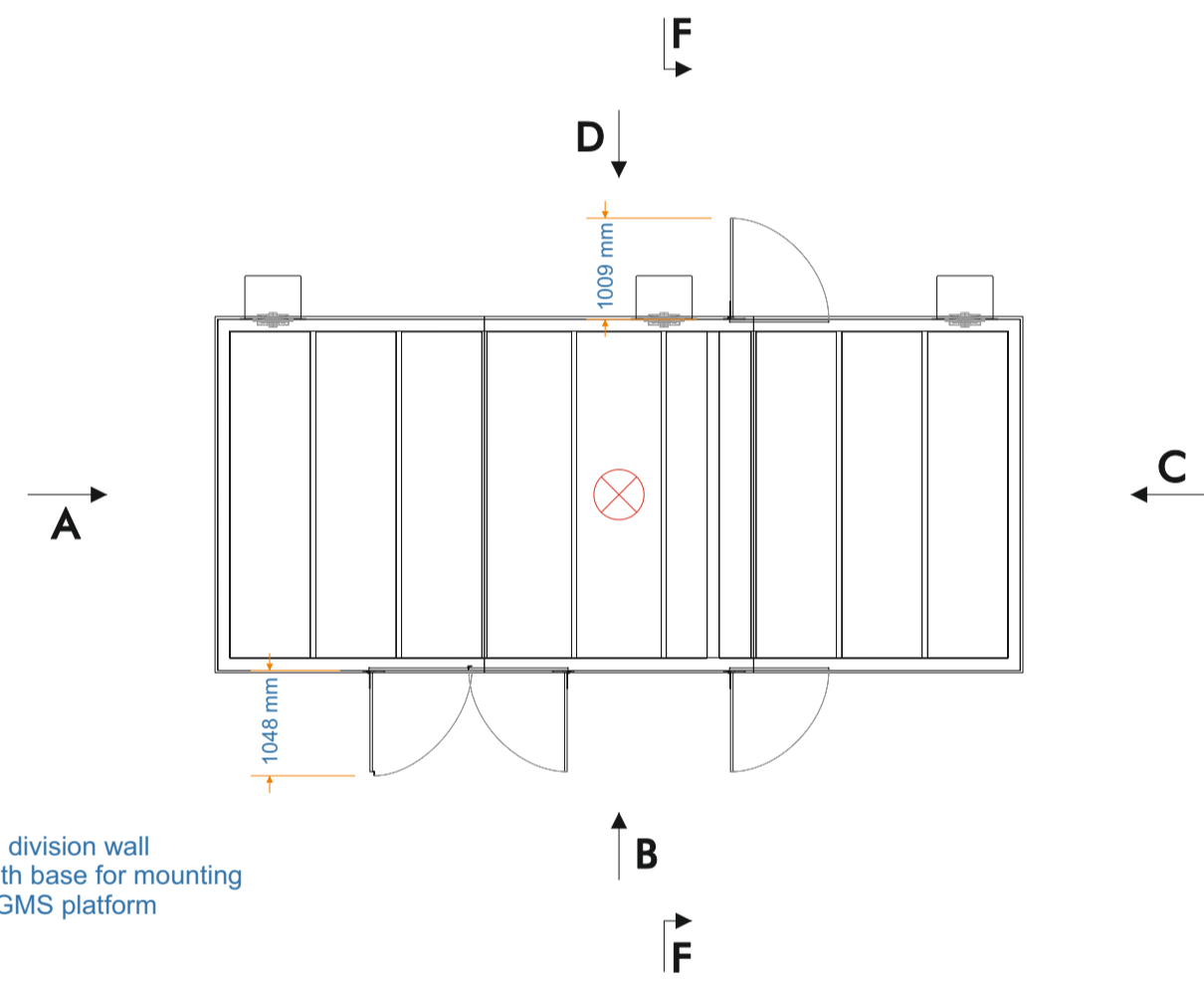


300mm S&P Plate fans with removable cowls for transportation



Internal division wall flush with base for mounting onto a GMS platform



INTERDISCIPLINE CHECK		
CHECK AT REVISION	DATE 21/08/2023	
Discipline	Initials	Signature
Civil		
Structural		
Piping		
Stress / Vessels		
Electrical		
Instruments		
Process		
Control Systems		

Colour - 14-C-39 Green
 Quantity - 1 number
 Weight - 3180kg

GAPO precision manufacturing

PROJECT	Peel Business Park, Cornwall TR15 3QW
SCALE	1:75
CLIENT	GPS Group
CONTRACT	Leverton Helm
DATE	18-08-23
TITLE	MCC Kiosk
DRAWING NUMBER	2800x8000x3500 REV0
CLIENT CONTRACT NUMBER	2312402
GPS JOB NUMBER	8381