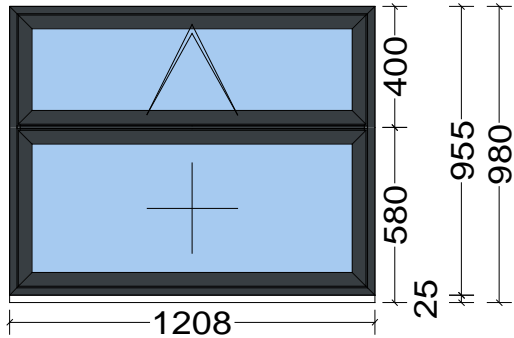


Pos Ground floor Win1 & 2

2 Pcs. Window Elements 1208 mm x 980 mm, Consisting of a Fixed Sash and a Top Hung Window.



Scale 1:25

Exterior View

System: AluK GB 58BW / 58BD Slide In Glazing Bead List:

Square

Profile views (outside)

Frame: 35 mm

Mullion/Transom: 32 mm

Window Vent: 45.4 mm

Window Hardware:

SLIM LINE 5 Top Hung Window open Out 13mm Stack height

Additional Articles per Element:

1 Pcs. 20mm Frame Ext (70mm) 1208mm

Colours:

Profiles: BASE RAL7016M RAL7016M

Filling:

2 Pcs. Prepared for 28mm Thickness