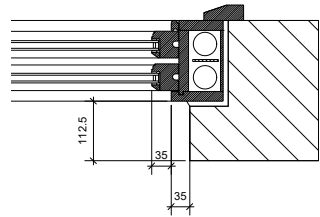


No implied license exists. This drawing should not be used to calculate areas for the purposes of valuation. Do not scale this drawing. All dimensions to be checked on site by the contractor and such dimensions to be their responsibility. All work must comply with relevant British Standards and Building Regulations requirements. Drawing errors and omissions to be reported to the architect.

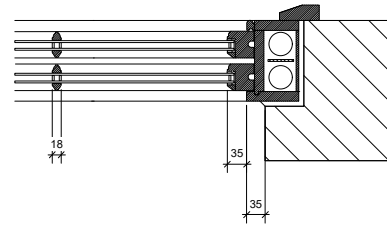
Revisions

P1 - 15/1/23 - Planning Conservation Area Consent Application

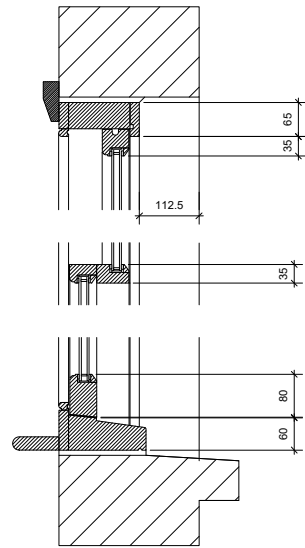
P2 - 12/3/23 - Revised to show meeting rail reduced from 50mm to 35mm in accordance with planning officer request



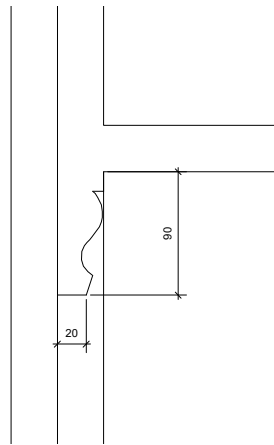
Sash window - jamb detail 1:5@A1, 1:10@A3



Sash window with vertical glazing bars - jamb detail 1:5@A1, 1:10@A3



Sash window - cill / head detail 1:5@A1, 1:10@A3



Sash window - horn detail 1:2@A1, 1:4@A3

159 St John Street London EC1V 4QJ mail@hawkinsbrown.com
hawkinsbrown.com

**Hawkins
Brown**

Project
156 Waller Rd
London
SE14 5LU

Drawing
Window Details
All Windows

Scale	Date
1:50 @ A1	Nov 2023
Drawn by	Checked by
JM	JM
Job Number	Status
JM231119	Planning

Drawing No. & Revision
231119_04 P1