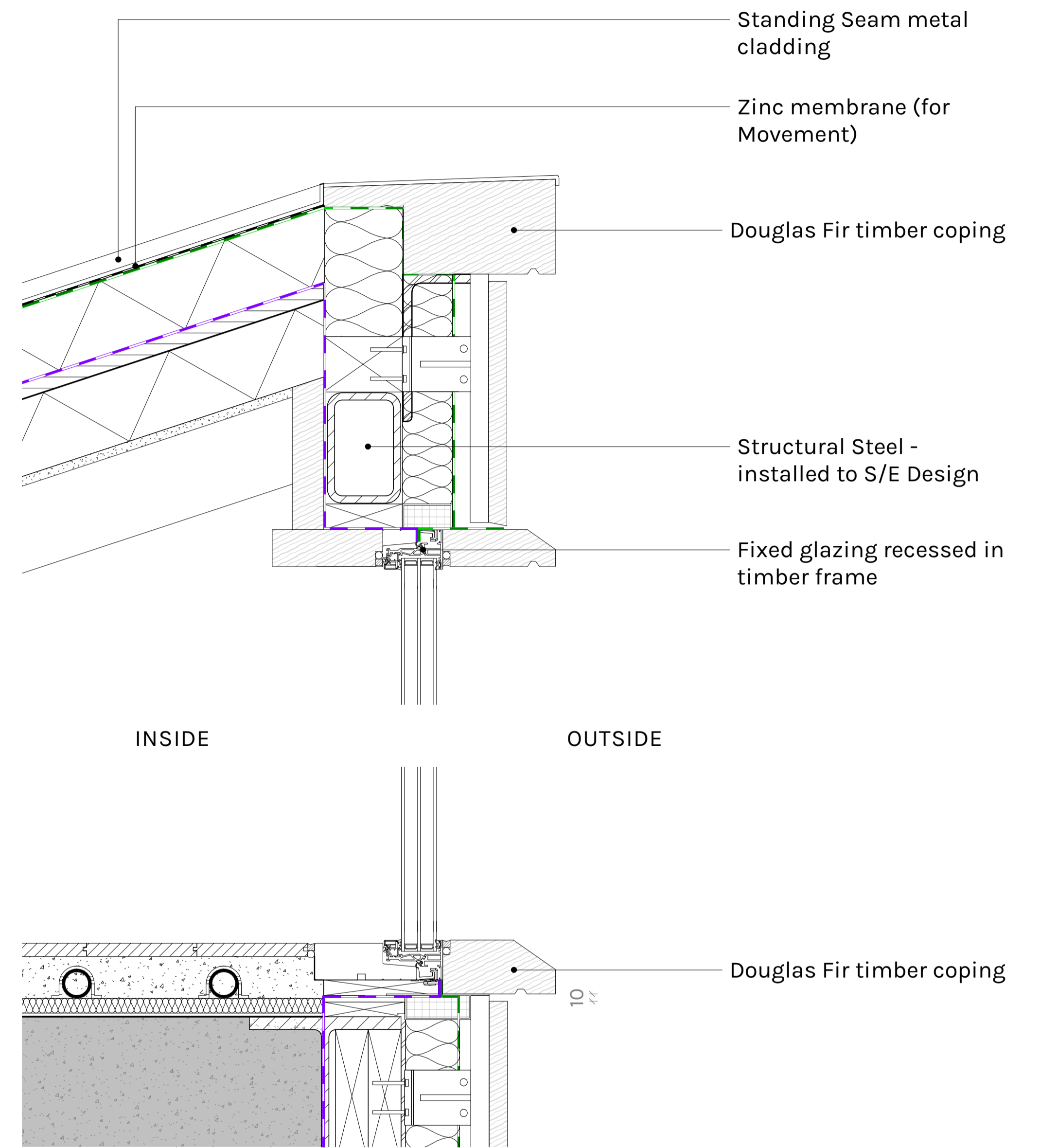


House - Timber Facade System - Fixed Glazing
1:5



Dwelling House - East Facade Section 02
1:5

DFA

DOWEN FARMER ARCHITECTS

Unit 601, Level 6,
Peckham Levels,
95A Rye Ln,
London
SE15 4ST

T: 020 8058 7997
W: www.dowenfarmer.com

Project
2 Manor Park

Project address
2 Manor Park
London
SE13 5RN

Client
Quinn Residential

Sheet number
1138 -DFA -PL_2008

Sheet name
House External Envelope - Timber
Facade - Fixed Glazing Details

Sheet scale
1:5 @ A1

Date/time
20/11/2023 18:39:42

Rev	Description	Date	Issued	Checked
1	Planning Condition 5 & 15	20/11/2023		
		3		

Scale Bar: 1:10 @ A1 (Metres)



Project status

Planning

GENERAL NOTES:

This drawing is issued with a draft status for information only. It shows design intent for detailed development by the Main Contractor.

This drawing is based on dimensional survey information provided by others. The Architect cannot accept responsibility for the accuracy of this information. All levels and dimensions must be verified on site. Any errors are to be reported to the Architect.

This drawing should be read in conjunction with all relevant project information from other disciplines including but not limited to:

Acoustic
Building Services
Civil and Structural
Fire
Safety, Health and Environment (SHE)
Construction, Design and Management (CDM)

All non-architectural elements indicated on this drawing are shown for the purposes of design coordination only.

Downen Farmer Architects Ltd is incorporated in England & Wales. Company registration number 10861309.