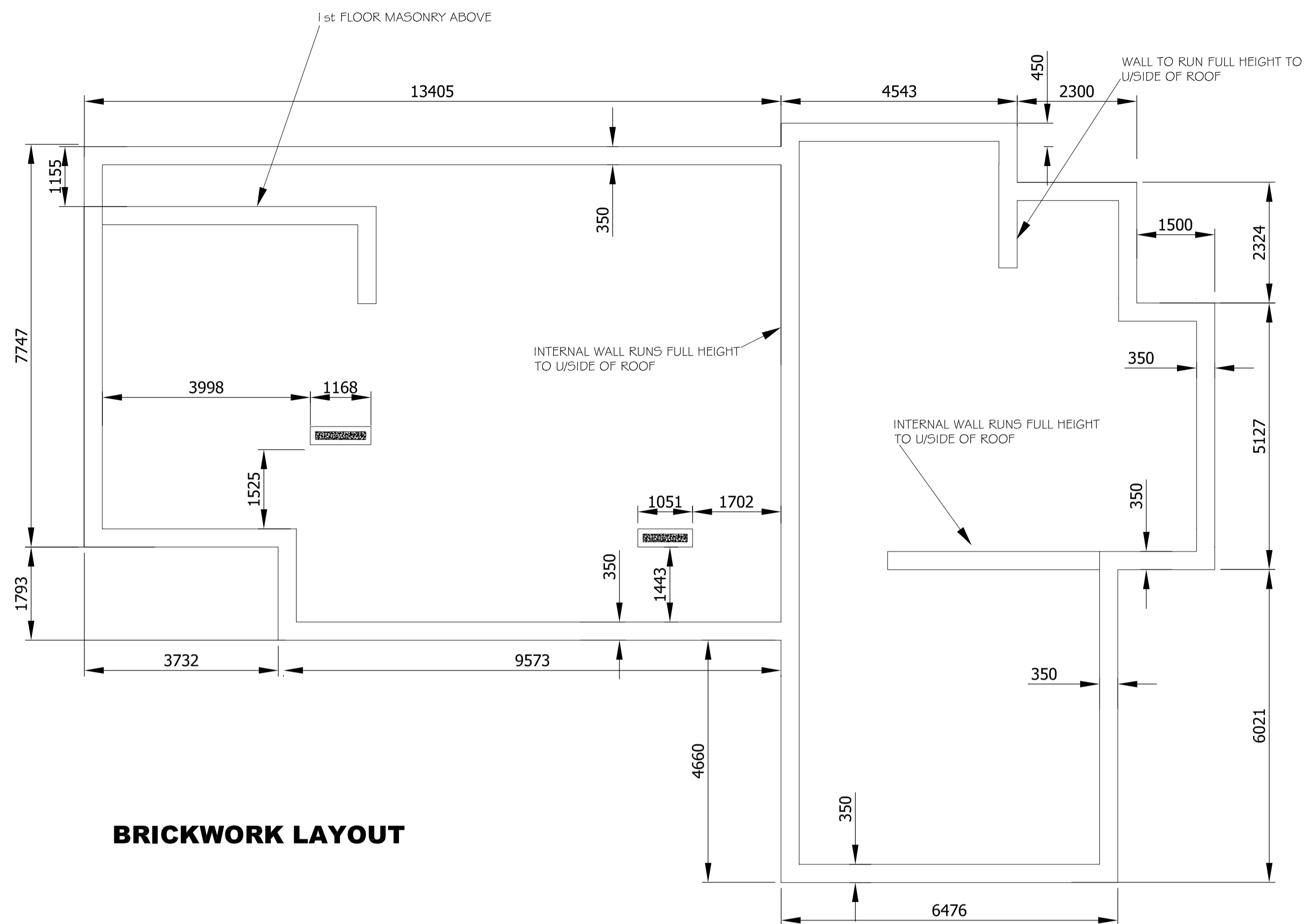


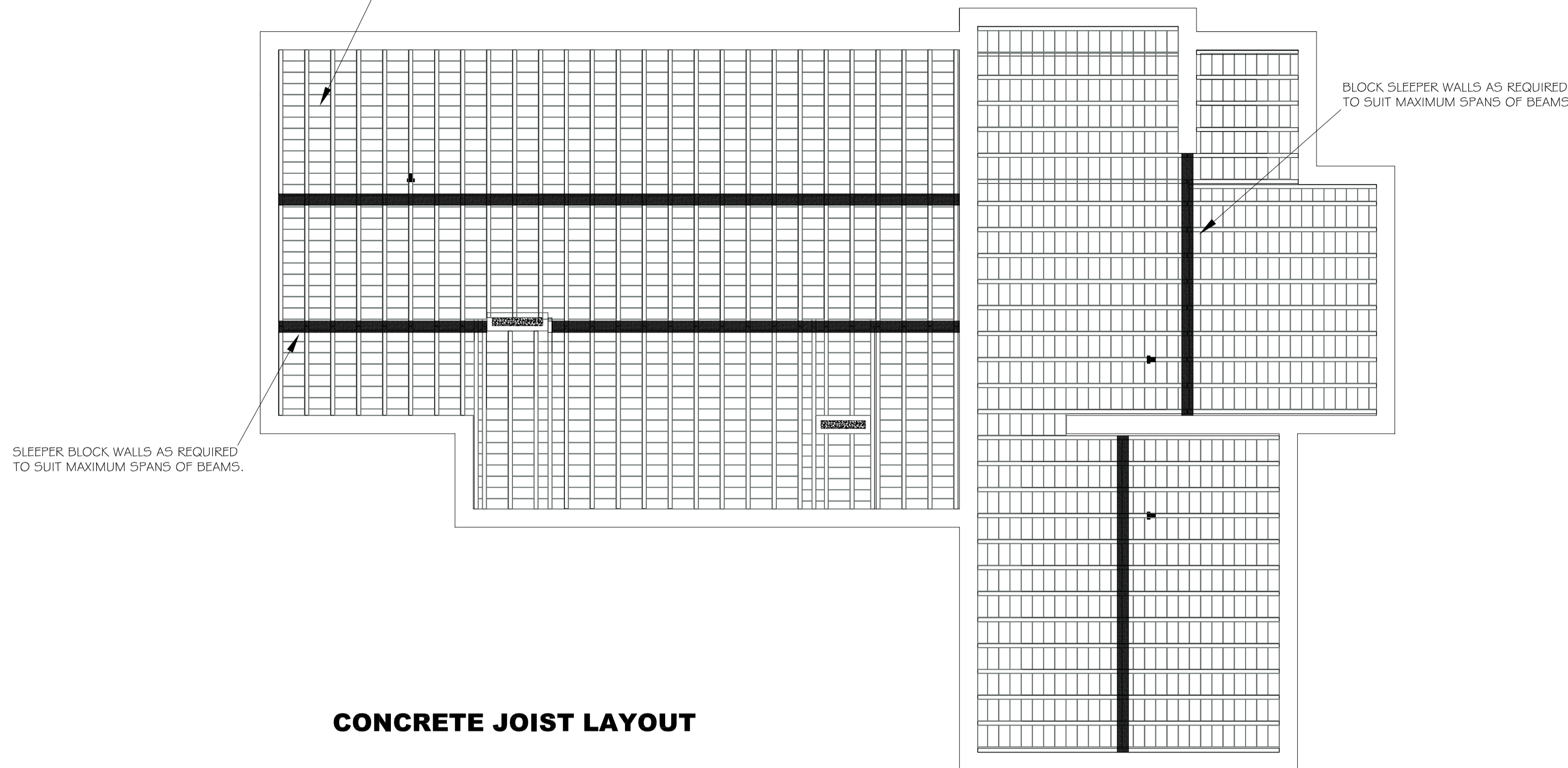
IF IN DOUBT - ASK

ALL DIMENSIONS ARE IN MILLIMETRES



BRICKWORK LAYOUT

REINFORCED CONCRETE BEAM BY SPECIALIST MANUFACTURER WITH 100mm THICK x 440 x 215 7M BLOCKS. FULLY GROUTED WITH BEAM ENDS MIN 100mm END BEARING ONTO MASONRY SAT ON DPC BEAMS SUPPORTED OFF SLEEPER BLOCK WALLS AS REQUIRED TO SUIT MAXIMUM SPANS OF BEAMS.



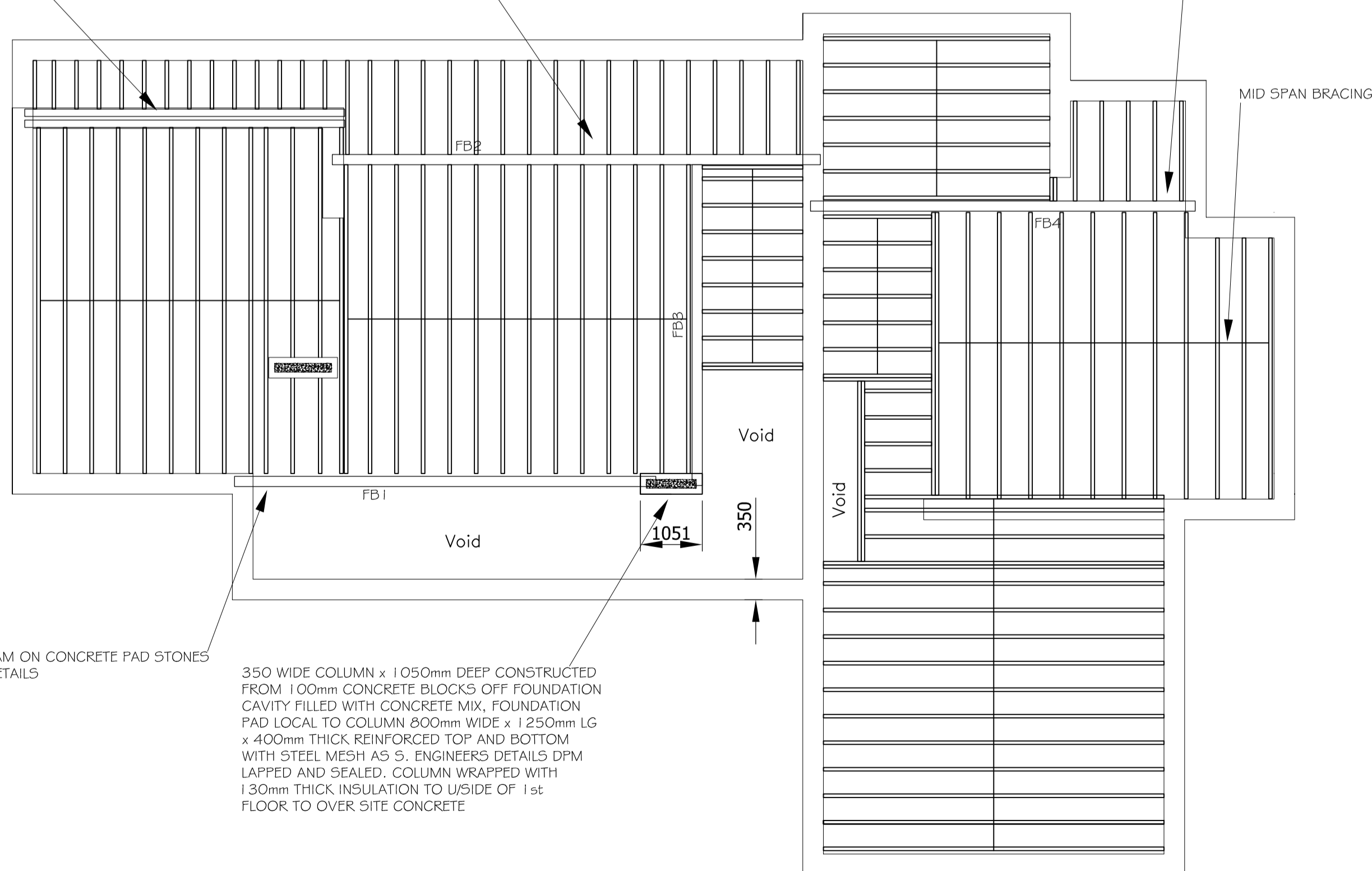
CONCRETE JOIST LAYOUT

2 No CATNIC BOX LINTELS TO SUPPORT MASONRY ABOVE ON CONCRETE PAD STONES AS S. ENGINEERS DETAILS

STEEL SUPPORT BEAM ON CONCRETE PAD STONES AS S. ENGINEERS DETAILS

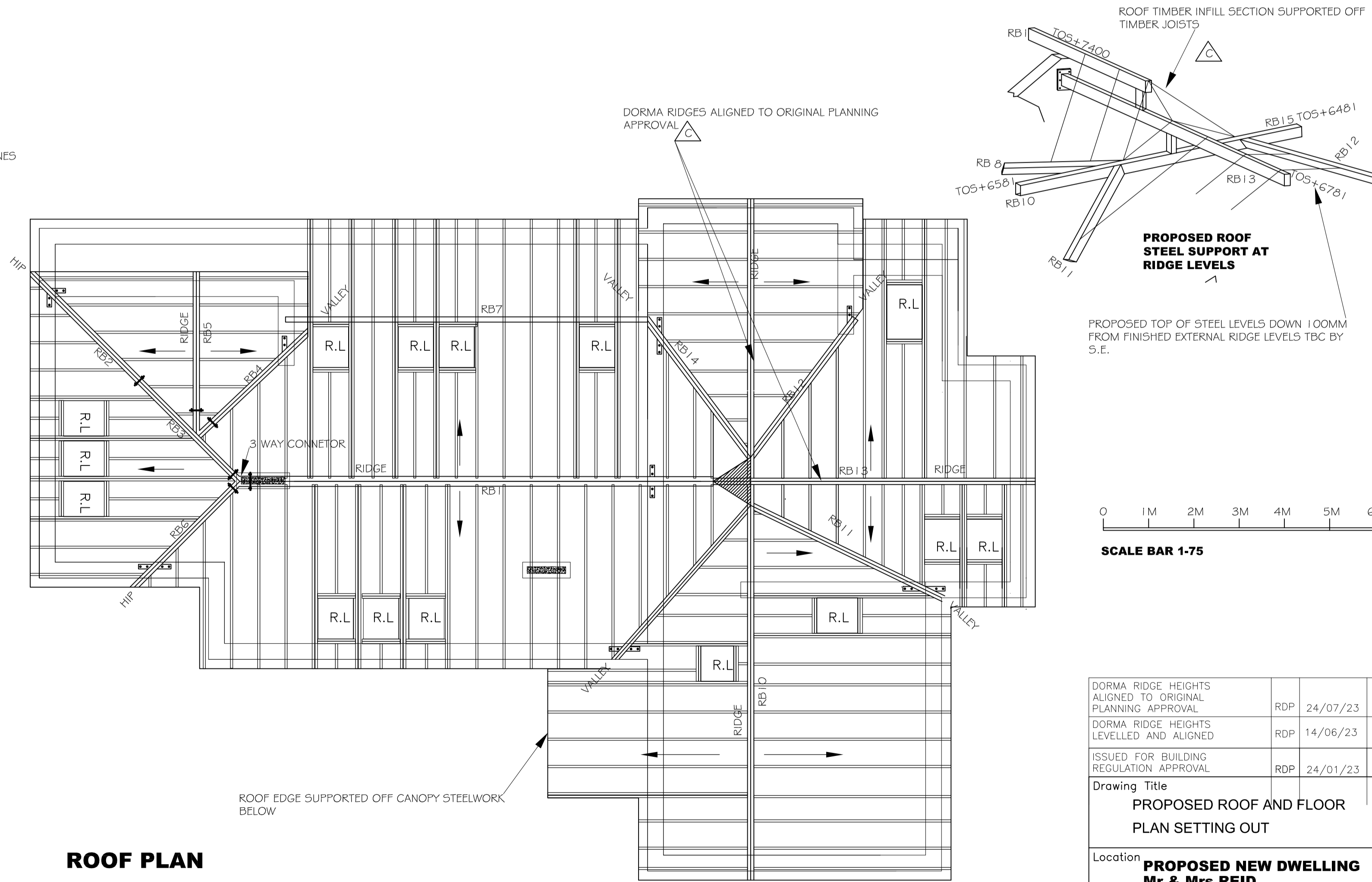
STEEL SUPPORT BEAM ON CONCRETE PAD STONES AS S. ENGINEERS DETAILS

MID SPAN BRACING

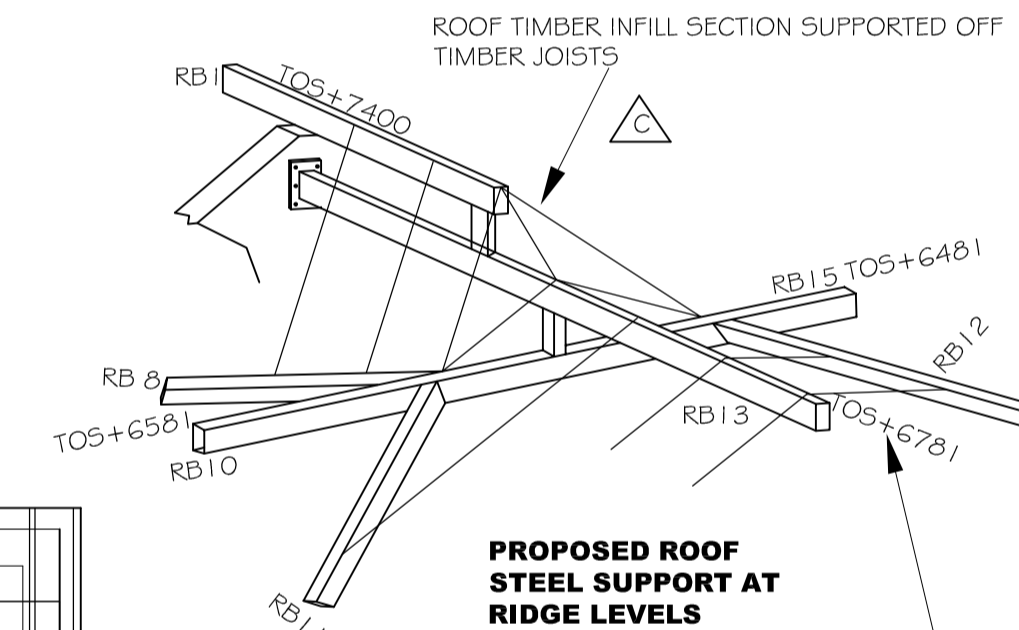


1ST FLOOR JOIST LAYOUT

350 WIDE COLUMN x 1050mm DEEP CONSTRUCTED FROM 100mm CONCRETE BLOCKS OFF FOUNDATION CAVITY FILLED WITH CONCRETE MIX. FOUNDATION PAD LOCAL TO COLUMN 900mm WIDE x 1250mm LG x 400mm THICK REINFORCED TOP AND BOTTOM WITH STEEL MESH AS S. ENGINEERS DETAILS DPM LAPPED AND SEALED. COLUMN WRAPPED WITH 130mm THICK INSULATION TO U/SIDE OF 1st FLOOR TO OVER SITE CONCRETE

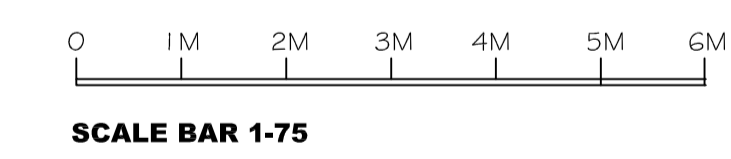


ROOF PLAN



PROPOSED ROOF STEEL SUPPORT AT RIDGE LEVELS

PROPOSED TOP OF STEEL LEVELS DOWN 100MM FROM FINISHED EXTERNAL RIDGE LEVELS TBC BY S.E.



SCALE BAR 1-75

DORMA RIDGE HEIGHTS ALIGNED TO ORIGINAL PLANNING APPROVAL	RDP	24/07/23	REV. C
DORMA RIDGE HEIGHTS LEVELLED AND ALIGNED	RDP	14/06/23	REV. B
ISSUED FOR BUILDING REGULATION APPROVAL	RDP	24/01/23	REV. A

Drawing Title			
PROPOSED ROOF AND FLOOR PLAN SETTING OUT			
Location			
PROPOSED NEW DWELLING Mr & Mrs REID CHAPEL STREET TANTOBIE STANLEY			
Scale	1-75	Drawn RDP	Date 24.01.23
Drawing No.	1/23	Sht.	2 OF 6 Rev. C