
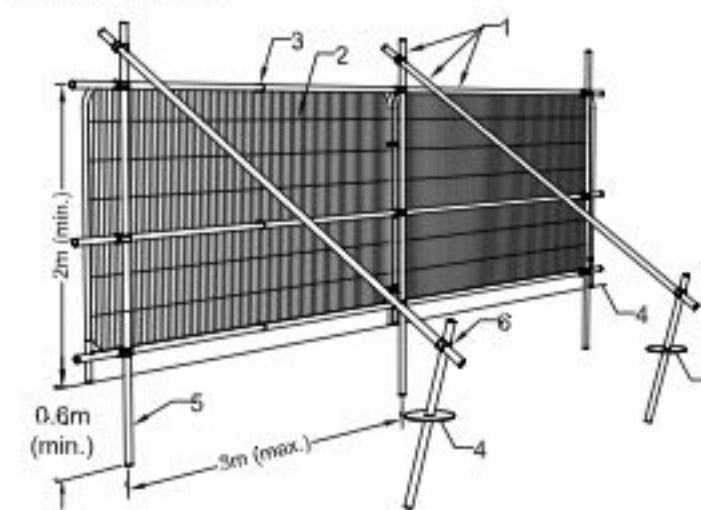


Extract of previous tree survey with proposal illustrated for clarification

 proposed garage and extension

Protective Barrier

Type 2



Key

1. Standard scaffold poles
2. Heavy gauge 2m tall galvanized tube and welded mesh infill panels
3. Panels secured to uprights and cross-members with wire ties
4. Ground level
5. Uprights driven into the ground until secure (minimum depth 0.8m)
6. Standard scaffold clamps