

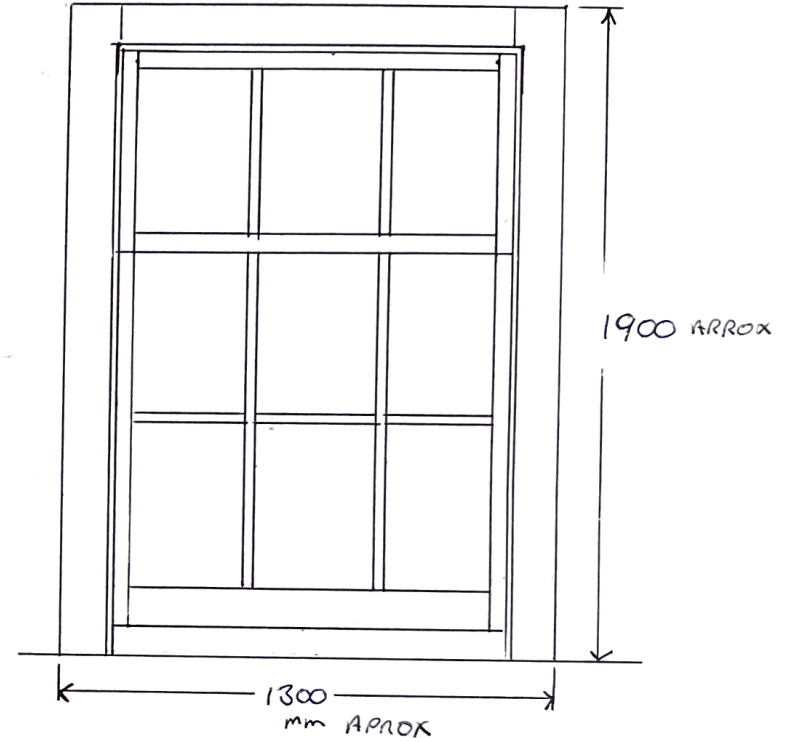
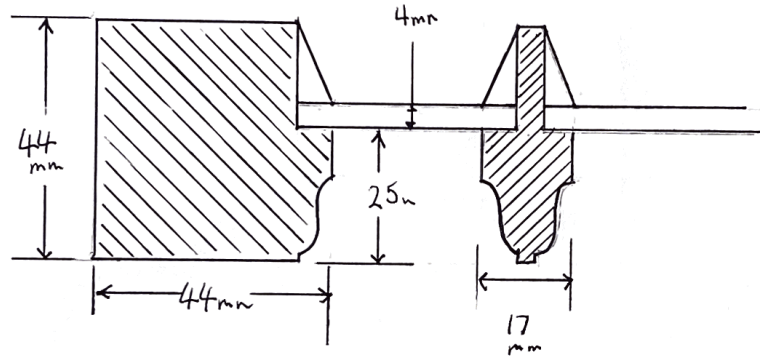
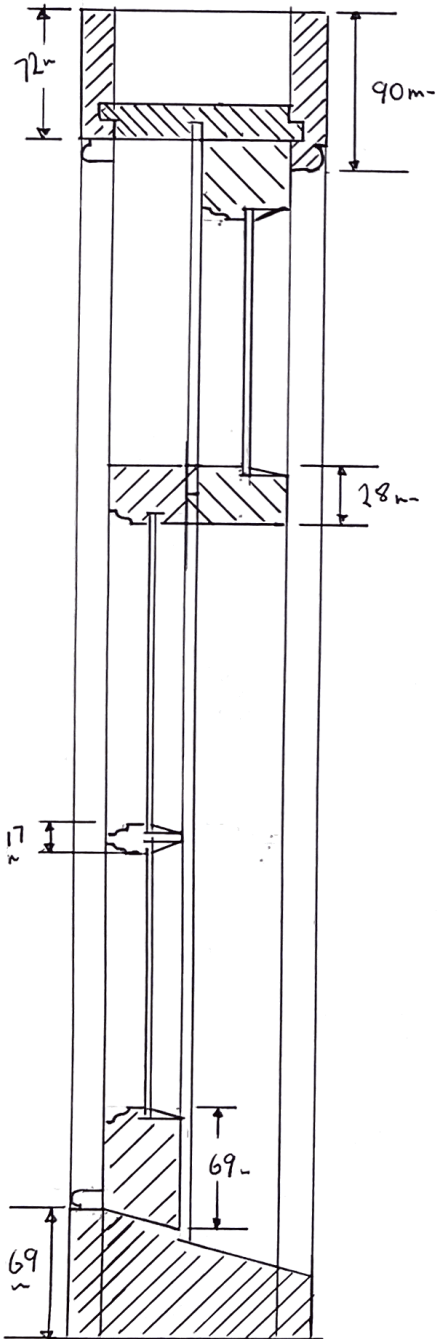
Mablethorpe Joinery Services Limited

MANUFACTURERS & CONTRACTORS

**UNIT 2a, ENTERPRISE ROAD
MABLETHORPE, Lincs. LN12 1LR**

**Tel. (01507) 478594 - Fax. (01507) 478594
Email. mjsjoinery@aol.com**

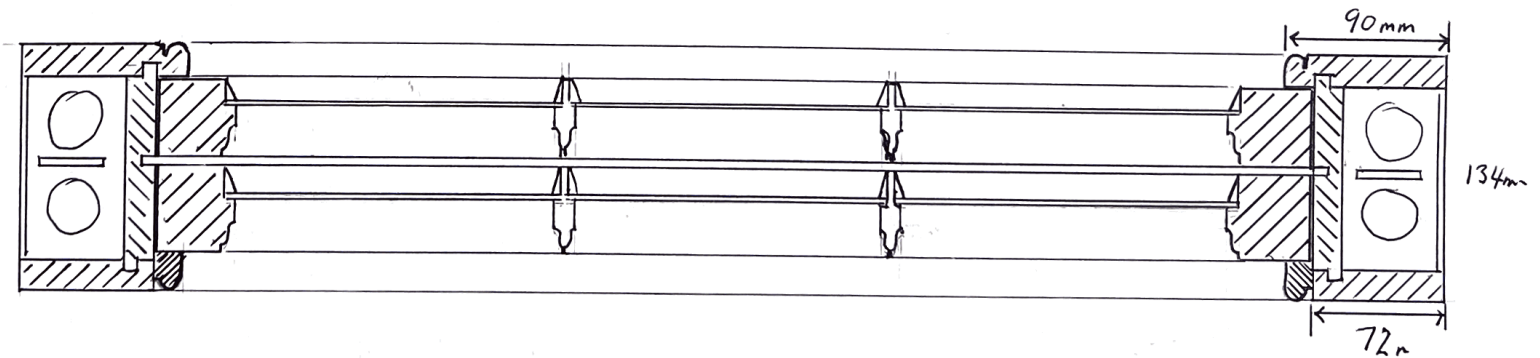
CONTRACTORS TO PUBLIC & PRIVATE SECTOR, LICENSED TRADE
LEISURE INDUSTRY, LOCAL AUTHORITIES, ARCHITECTS
PURPOSE-MADE WINDOWS, DOORS, BARS, STAIRS, CONSERVATORIES



PROPOSED REPLACEMENT WINDOWS.

2ND FLOOR FRONT ELEVATION

19 MERCER ROW
LOUTH



Mablethorpe Joinery Services Limited

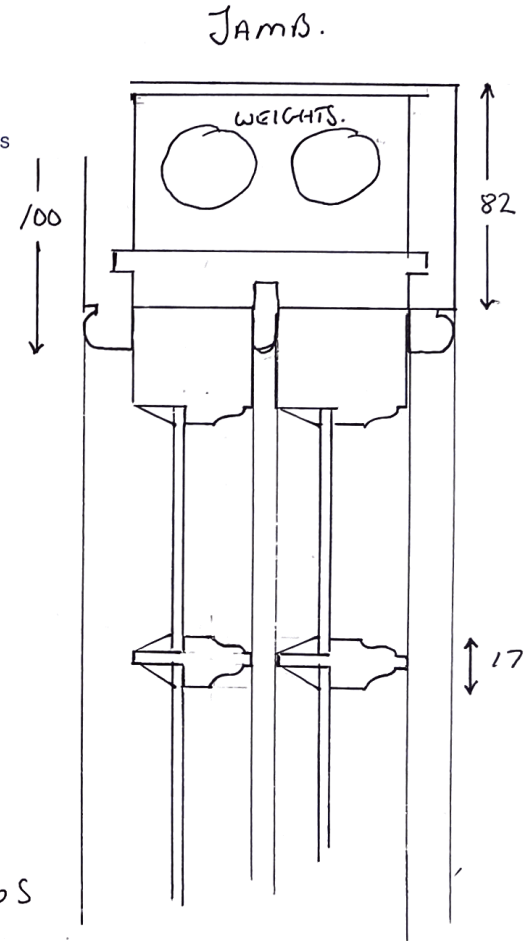
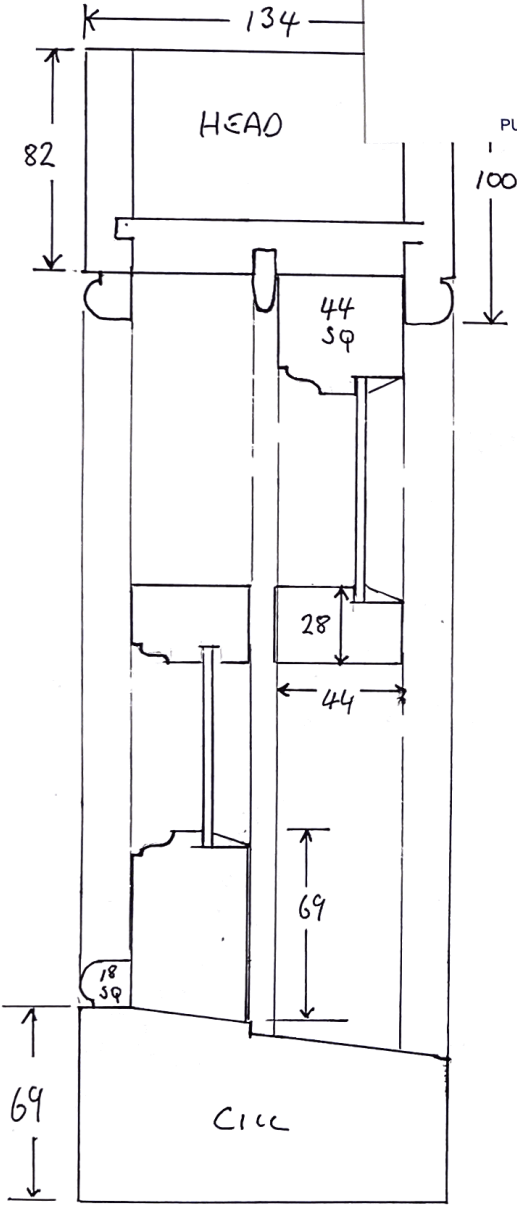
MANUFACTURERS & CONTRACTORS

**UNIT 2a, ENTERPRISE ROAD
MABLETHORPE, LINCS. LN12 1LR**

Tel. (01507) 478594 - Fax. (01507) 478594

Email. mjsjoinery@aol.com

CONTRACTORS TO PUBLIC & PRIVATE SECTOR, LICENSED TRADE
LEISURE INDUSTRY, LOCAL AUTHORITIES, ARCHITECTS
PURPOSE-MADE WINDOWS, DOORS, BARS, STAIRS, CONSERVATORIES



LAMBS TONGUE
OR
OVALO



MOULDING WOULD
MATCH EXISTING WINDOWS
WHICH ON 19 MERCER
ROW ARE OVALO MOULD

SECTIONS OF TRADITIONAL
SINGLE GLAZE BOX SASH
SLIDING WINDOWS.
(ALL TIMBER/NO PLASTIC SEALS.)