

Mablethorpe Joinery Services Limited

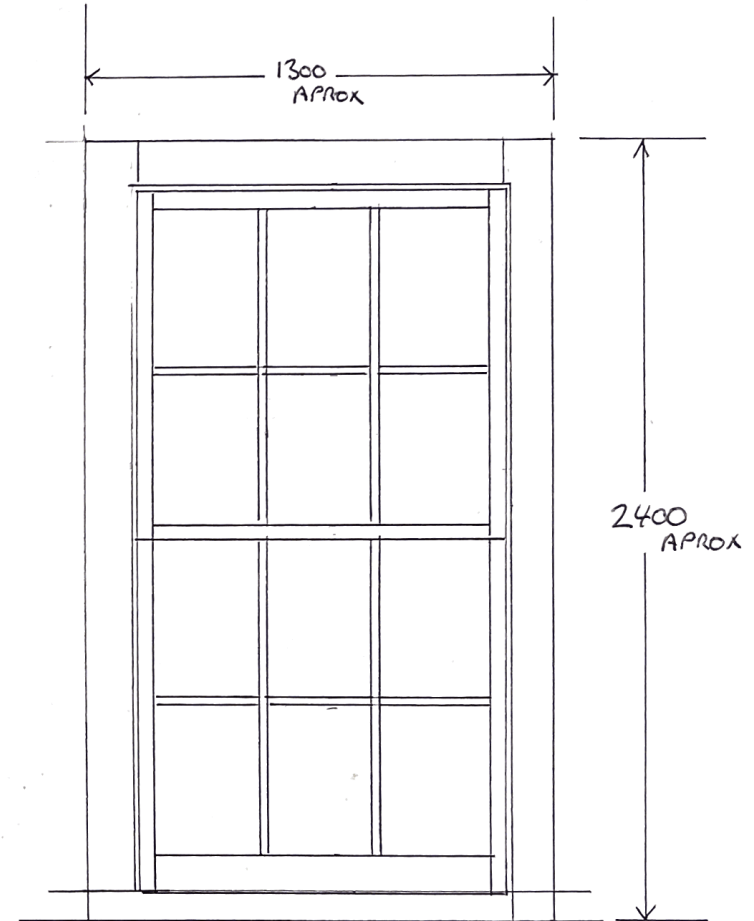
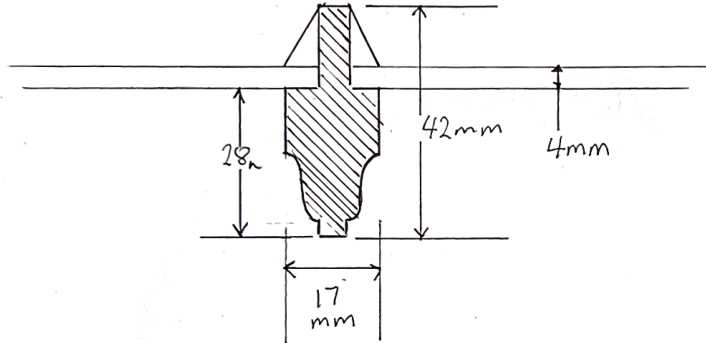
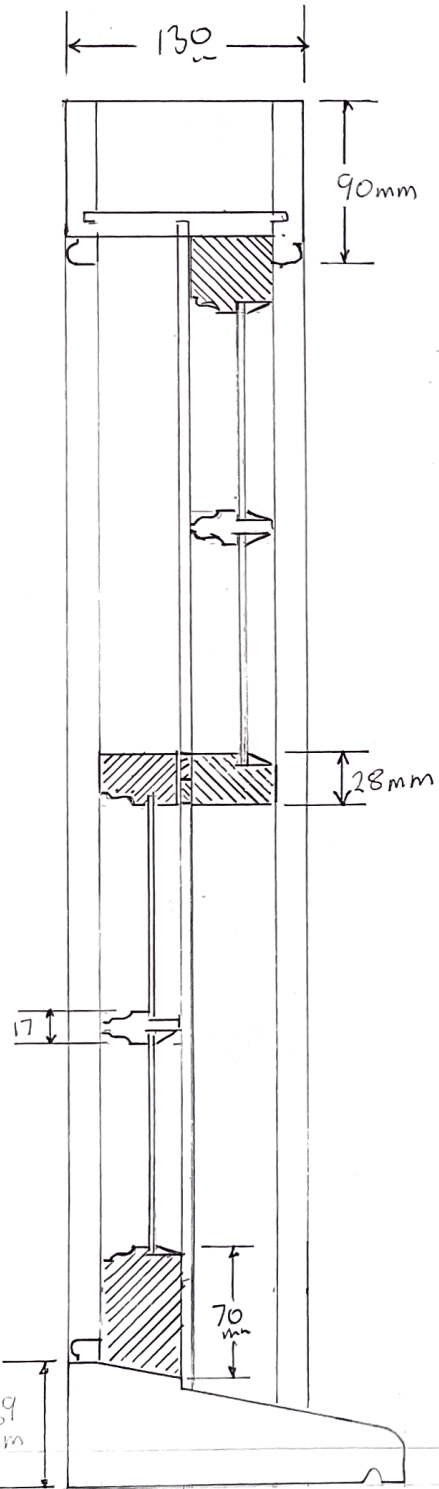
MANUFACTURERS & CONTRACTORS

**UNIT 2a, ENTERPRISE ROAD
MABLETHORPE, LINCS. LN12 1LR**

Tel. (01507) 478594 - Fax. (01507) 478594

Email. mjsjoinery@aol.com

CONTRACTORS TO PUBLIC & PRIVATE SECTOR, LICENSED TRADE
LEISURE INDUSTRY, LOCAL AUTHORITIES, ARCHITECTS
PURPOSE-MADE WINDOWS, DOORS, BARS, STAIRS, CONSERVATORIES



PROPOSED REPLACEMENT WINDOWS.
1ST FLOOR FRONT ELEVATION
19 MERCER ROW
LOUTH.

