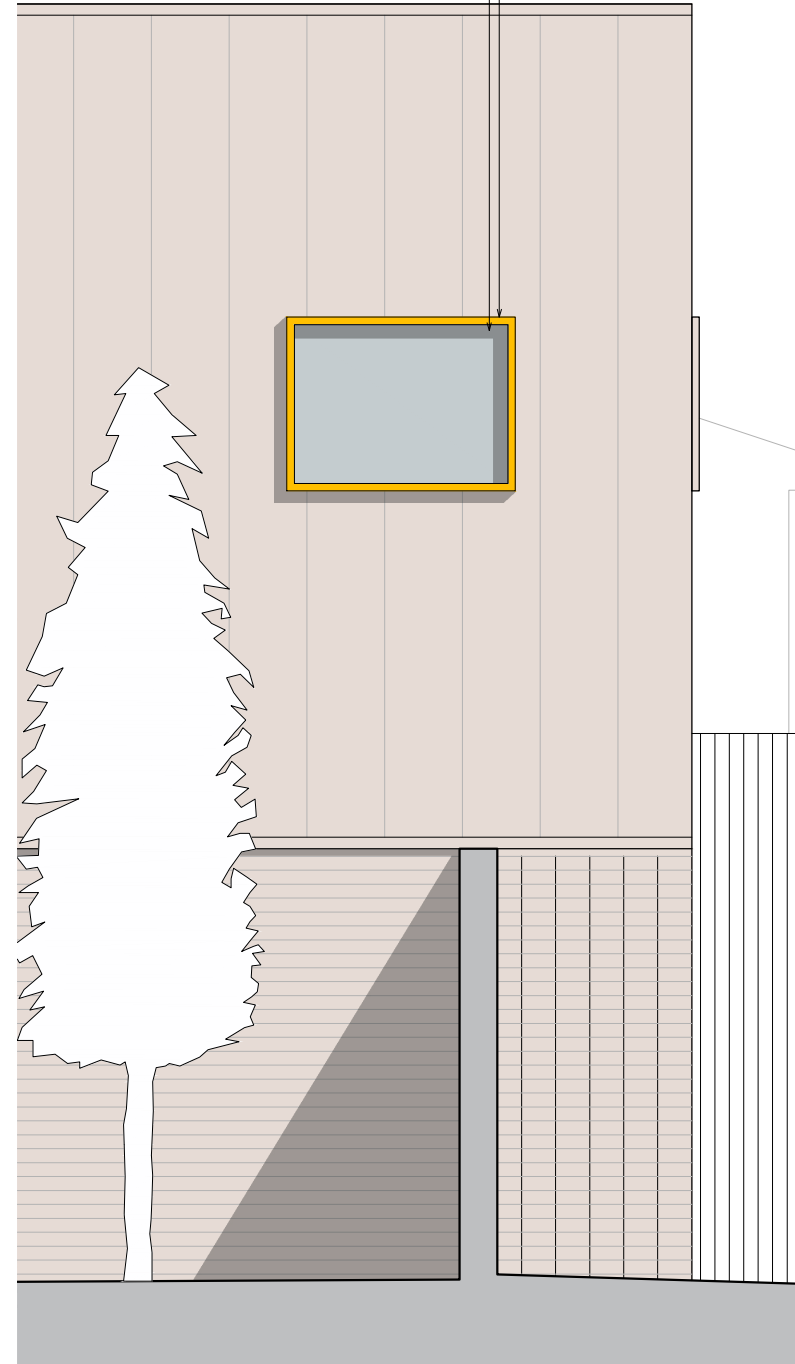
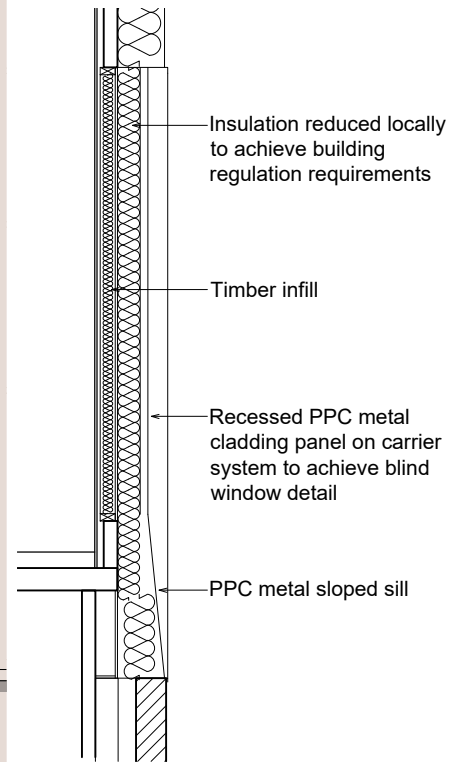
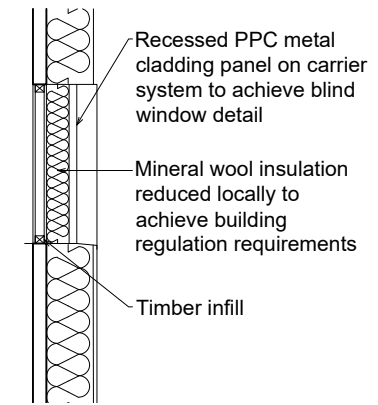


Main Building South Elevation  
Proposed Blind Window  
Elevation and Section  
1:50

PPC metal projecting frame detail to surround to match elsewhere  
RAL 1004  
Recessed PPC Aluminium cladding panel - RAL 7031



Sports Hall East Elevation  
Proposed Blind Window  
Elevation and Section  
1:50



**DRAWING NOTES**

1. filename: -
2. Use figured dimensions only. Detailed site survey to be carried out to establish tolerances. Figured dimensions are in mm. All dimensions shall be verified on site before proceeding with the work. The architect shall be notified of any discrepancies.
3. This drawing has been produced for sole use on this project and is not intended for use by any other person or for any other purpose. © Copyright RSS (U.K.)
4. All printed copies should be made at 100% of the original page size. Use scale bars, where included, to check that the drawing has been printed to the intended scale as identified in the drawing title block.
5. This drawing is not intended for construction unless specifically described as such.

**REVISIONS**

REV	DATE	STATUS
PL2	22.11.23	For Planning

Changes since last issue:  
Title block wording amended

---

**rivingtonstreetstudio**  
28 NAVIGATION ROAD LONDON E3 3TG  
T : 020 7739 8845  
E : rss@rssa.co.uk www.rivingtonstreetstudio.co.uk

job title Shipman Youth Zone  
drawing title Proposed Blind Window Design Intent  
scale 1:50 @ A3

drawn by	job no.	suitability	revision
TO	916	D2	PL2

PROJECT	ORIGIN	VOLUME	LEVEL	TYPE	ROLE	NUMBER
SHI	RSS	_00	_XX	_DR	_A	_2821