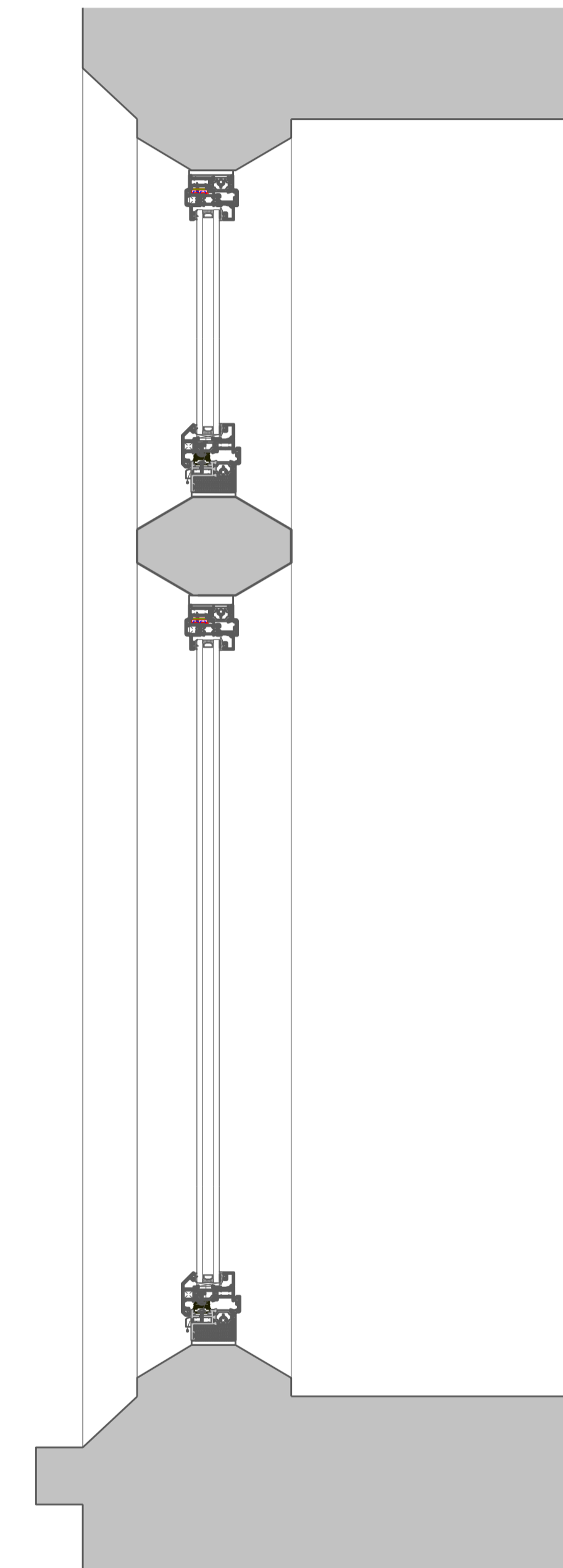
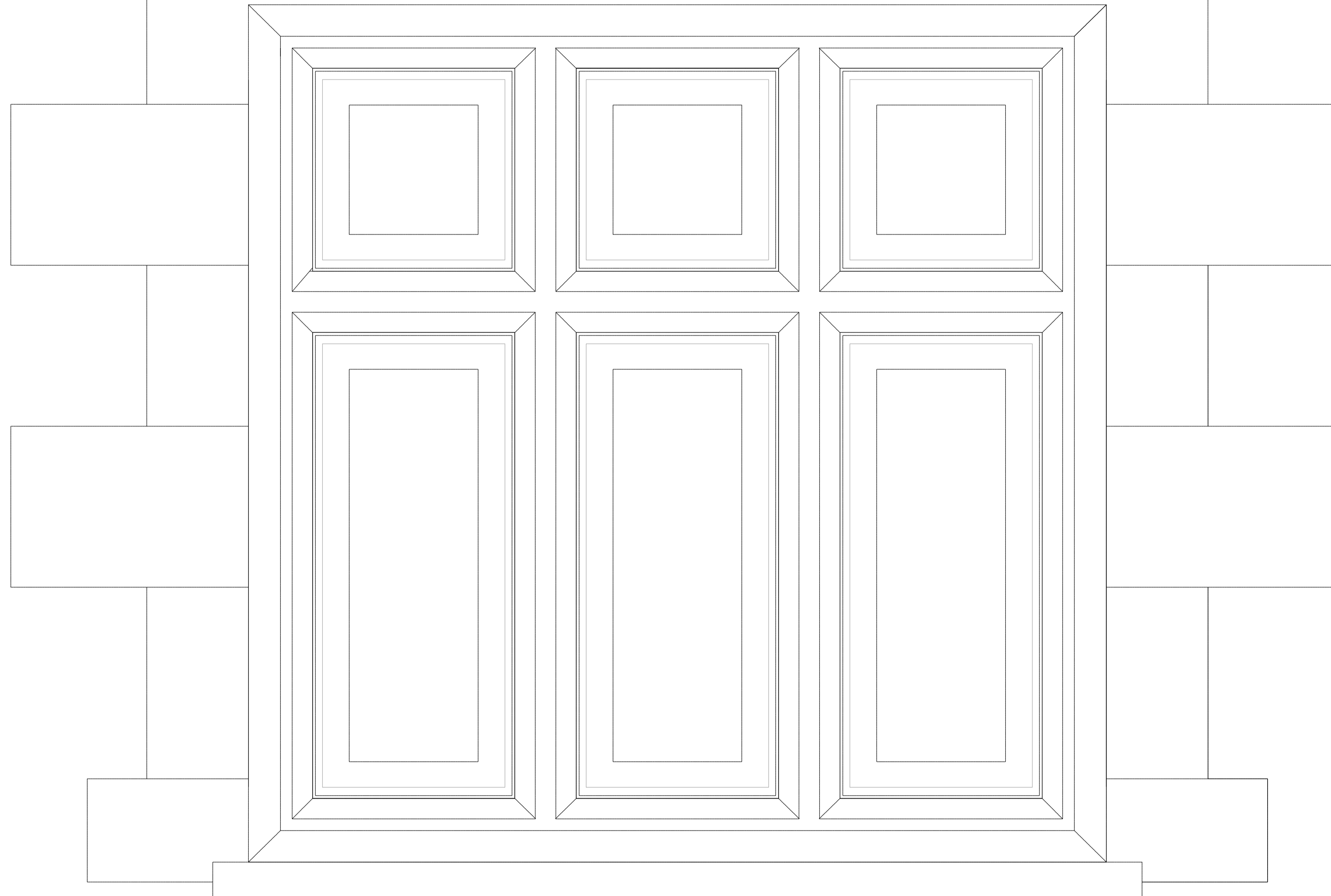


- W.00.01
- W.00.02
- W.00.03
- W.00.04
- W.00.05
- W.01.01
- W.01.02
- W.01.03
- W.01.04

WINDOW - PLAN - 1:10 (A3) / 1:5 (A1)

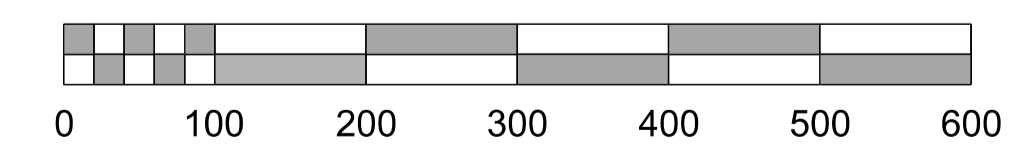
SECTION - PLAN - 1:10 (A3) / 1:5 (A1)



ELEVATION - PLAN - 1:10 (A3) / 1:5 (A1)

SMARTs ALITHERM HERITAGE  
HERITAGE PPC ALUMINIUM FRAME WINDOW

PRINTS SCALE - 1:10 @ A3 SIZE / 1:5 @ A1 SIZE



**A3/A1**  
COLOUR

|   |   |   |
|---|---|---|
| <b>Roger Gransmore</b> RIBA<br>The Old Chapel . Oakridge Lynch . Stroud . Glos . GL6 7NZ<br>Tel/fax 01285 760700<br>Email roger@gransmore.co.uk | client <b>Darshanee &amp; Harshul Measuria</b>                        | Rev -<br>Date 14.11.23<br>Drawing Stage Planning<br>Notes<br><small>Responsibility is not accepted for errors made by others in scaling from this drawing. The contractor is to set out, check and co-ordinate all dimensions on site during the course of the works. This drawing is to be read in conjunction with all other plans, structural calculations and specifications.</small><br><small>This drawing is to be used for the described drawing stage only. (ie. Building Regulations to demonstrate compliance with Building Regulations only) and should not be reproduced or used for any other purpose.</small><br><small>All works are subject to further site investigations as required. The works and contractor shall comply fully with all Acts of Parliament, Statutory Instruments, Rules or Orders and any regulations and bye laws applicable. This includes applicable Planning Conditions, Building Regulations and British Standards.</small> |
|   | project <b>Old Ullenwood Lodge, Ullenwood, Cheltenham, GL53 9QX</b>   |   |
|   | drg. no. 870-15-00-500    rev -    title Proposed Replacement Windows |   |
|   | date 14.11.23    scale 1:10 (A3 / 1:5 (A1))                           |   |

