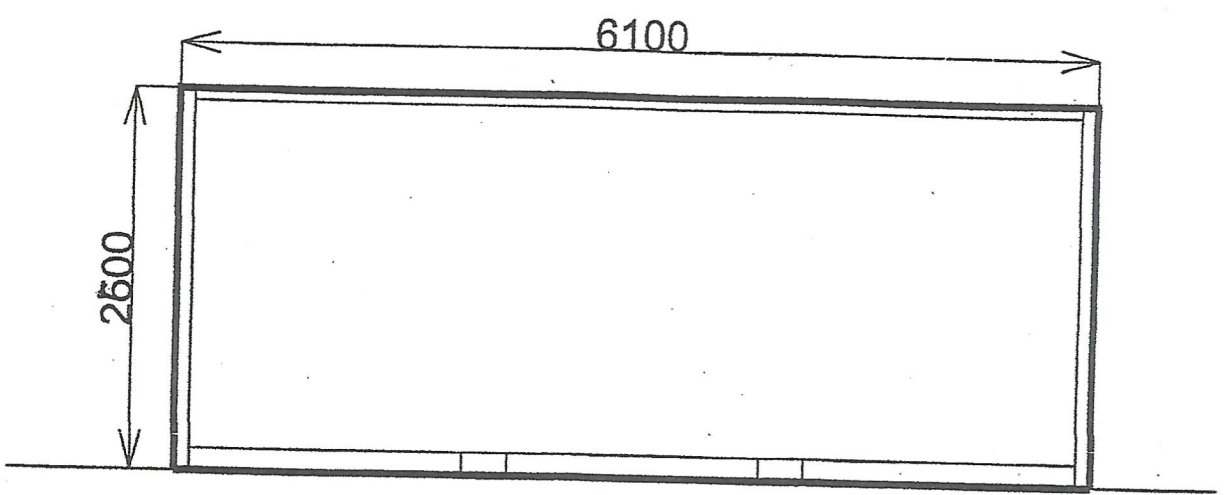
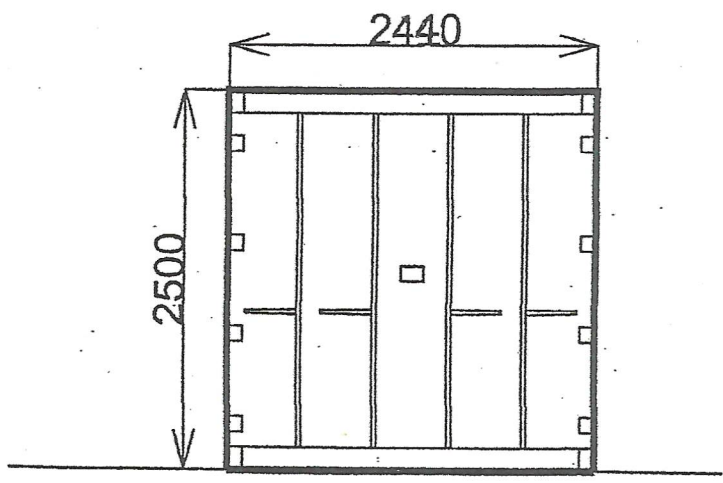


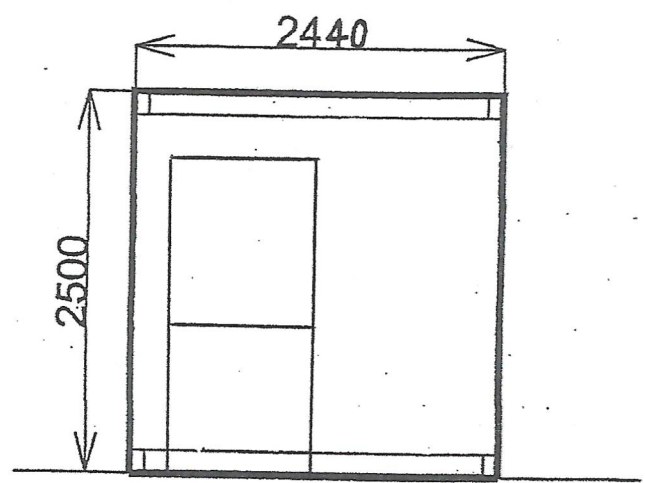
Plan 01 - Proposed Storage Container



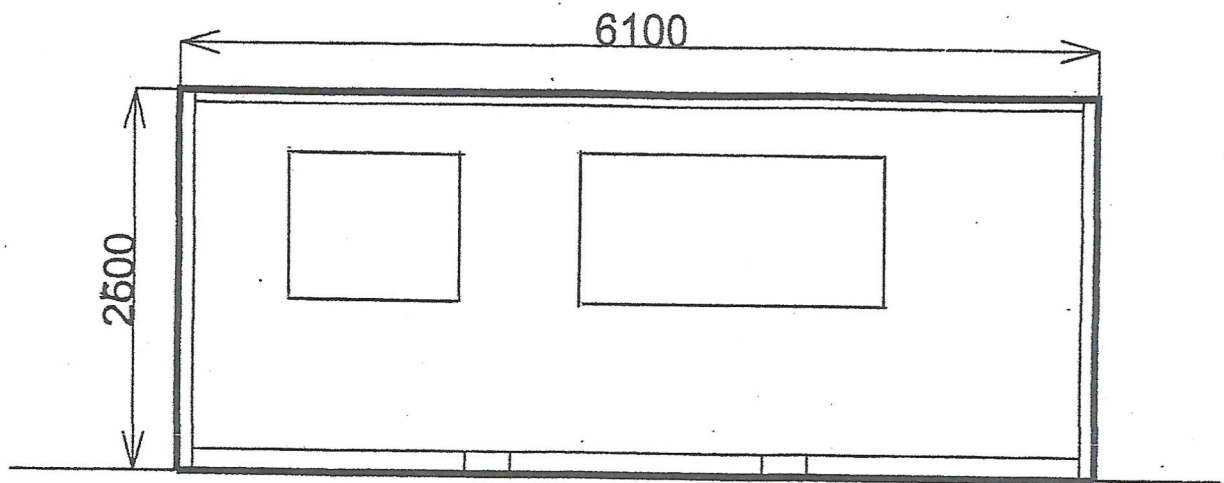
Side Elevation



Front Elevation



Rear Elevation



Side Elevation