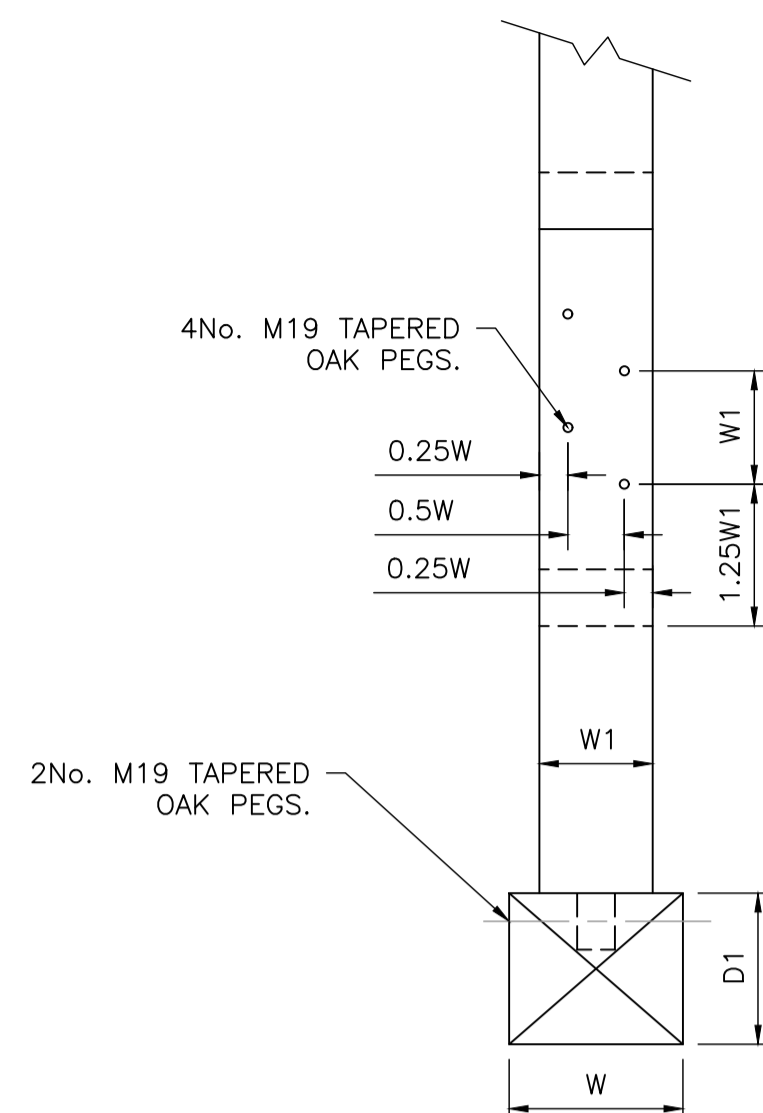
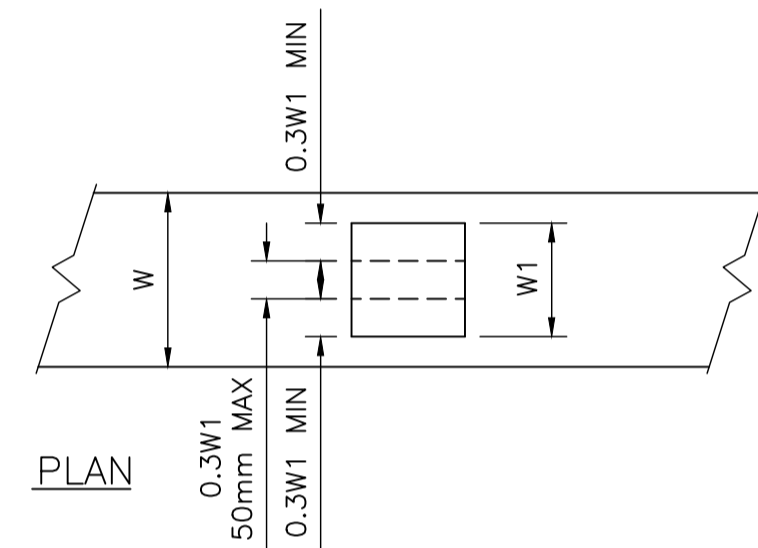


ELEVATION

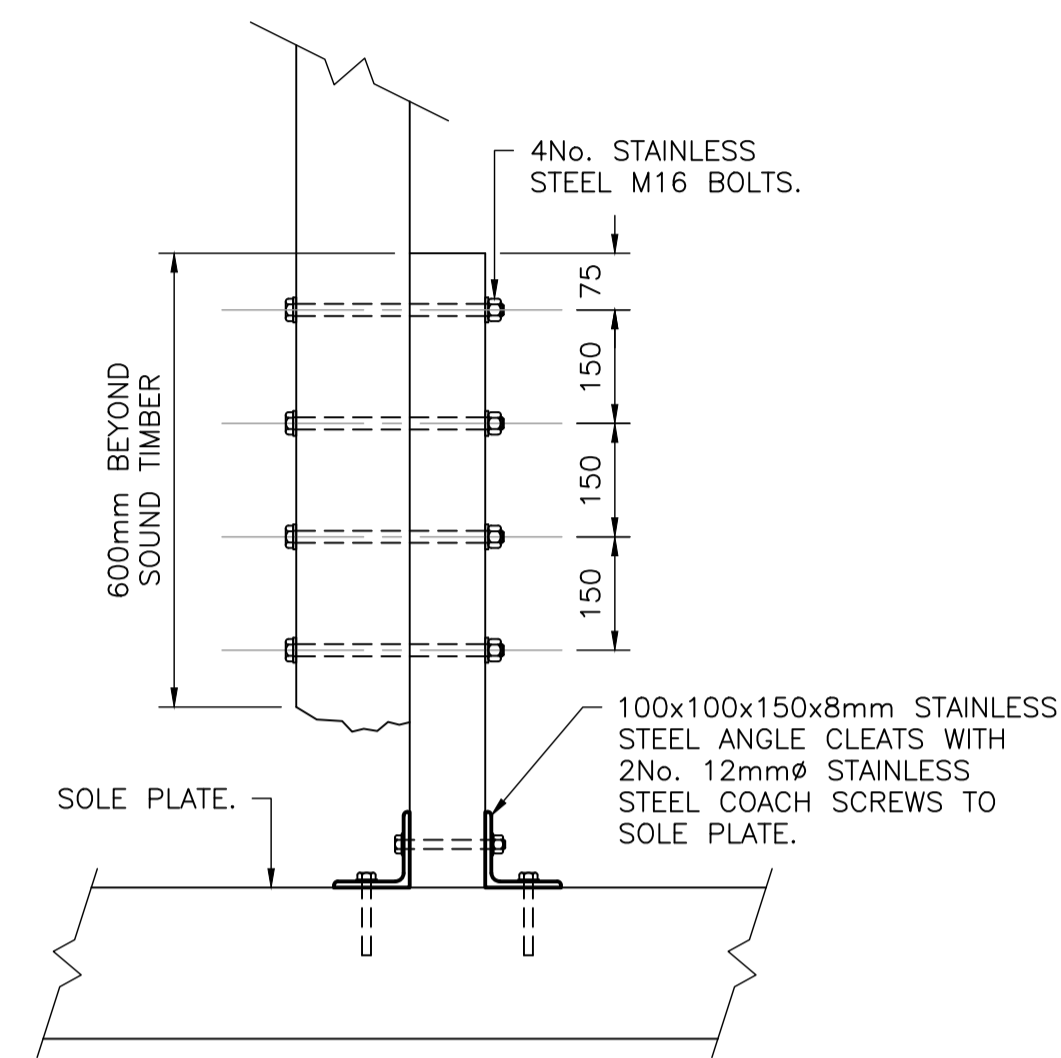


SIDE ELEVATION

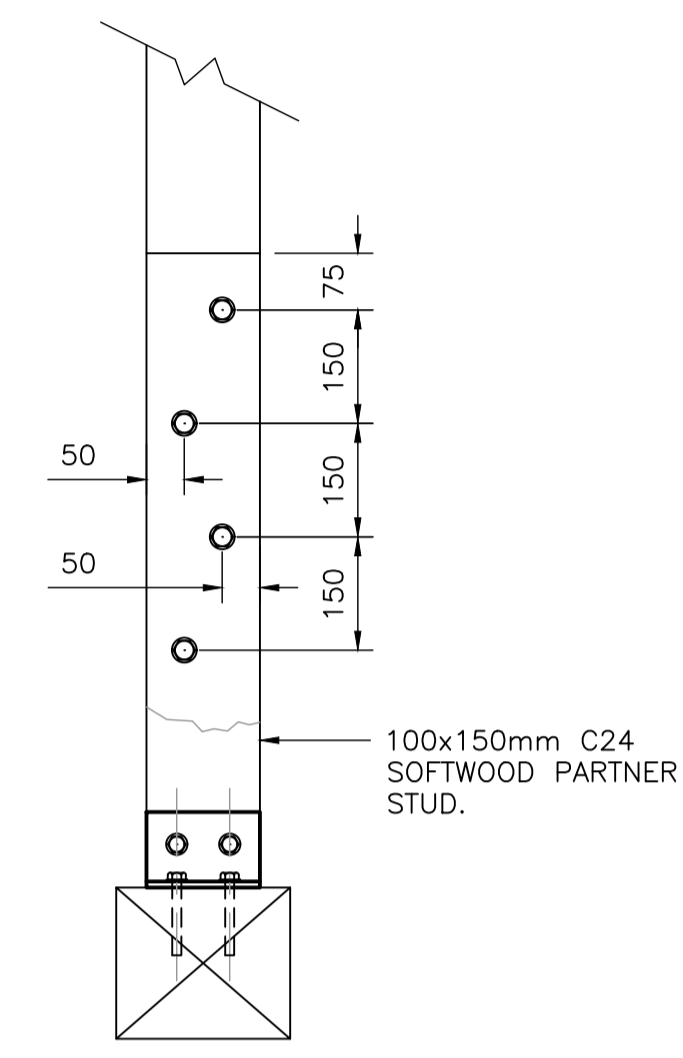


PLAN

REPAIR 01: STUD SPLICE REPAIR  
SCALE 1:10

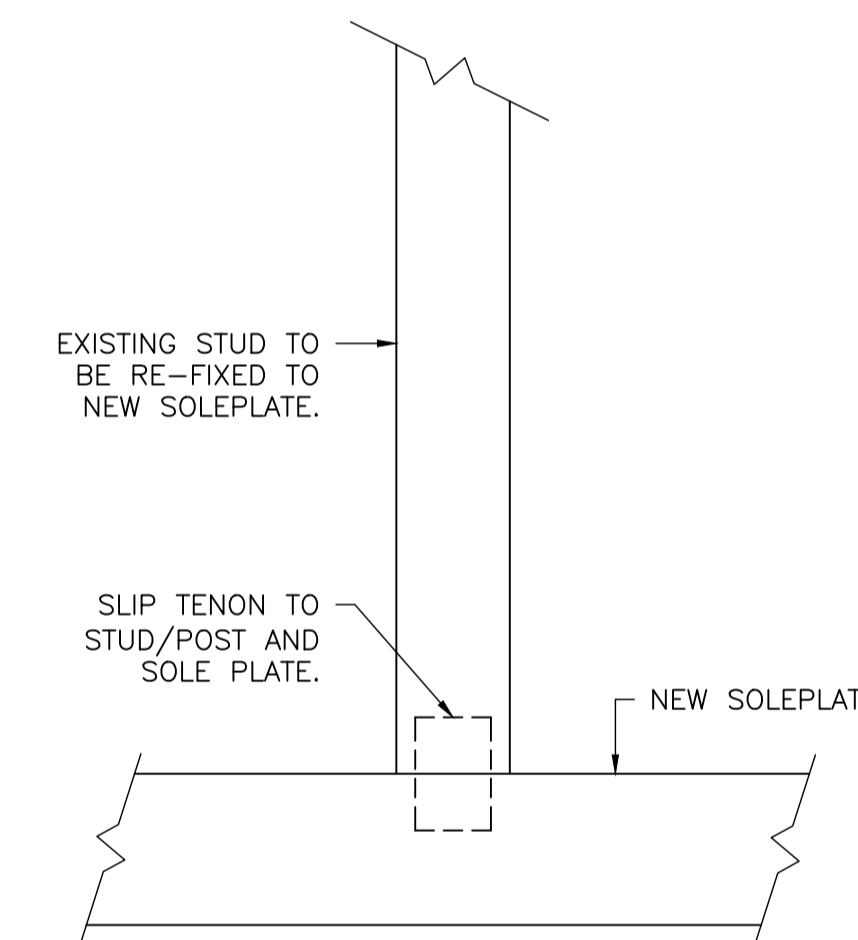


ELEVATION

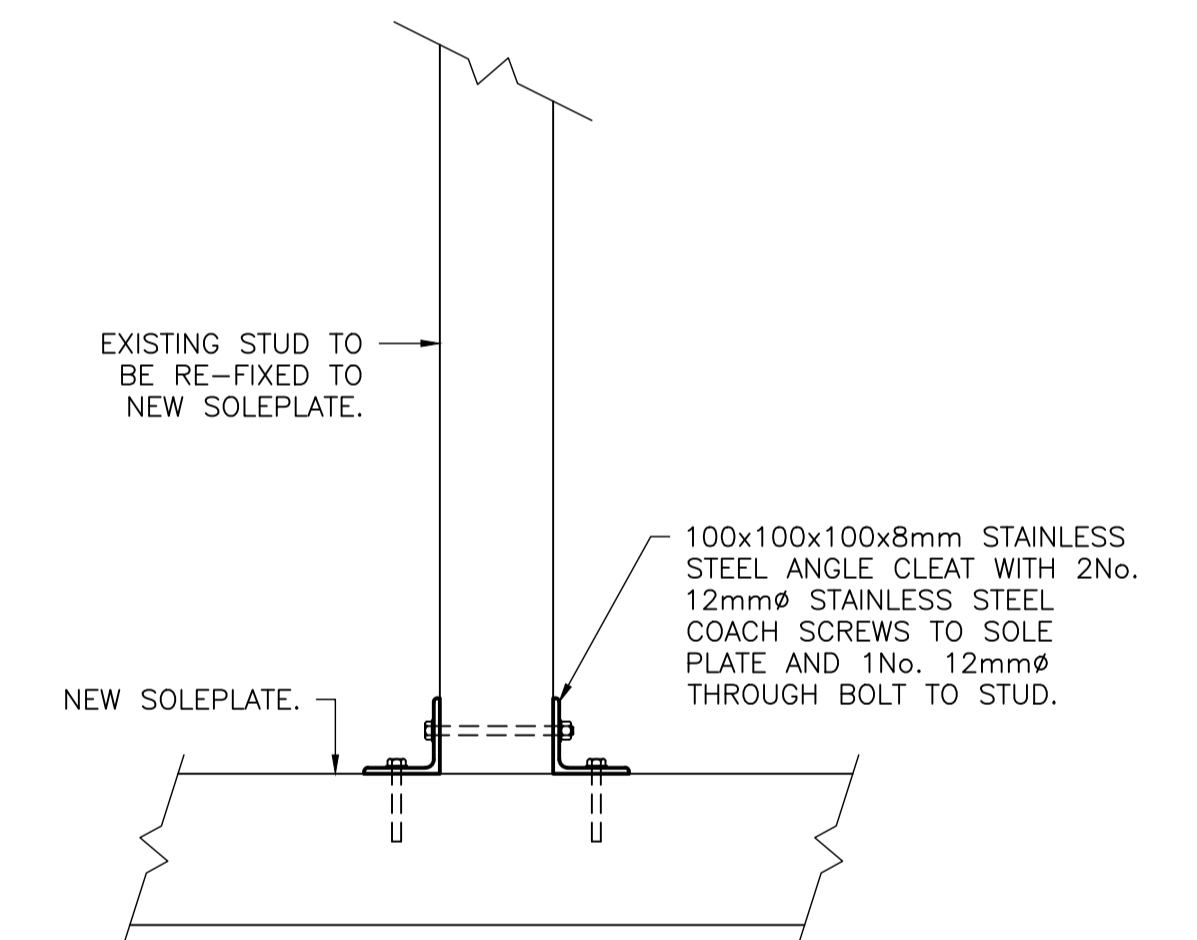


SIDE ELEVATION

REPAIR 02: STUD PARTNER REPAIR  
SCALE 1:10



ELEVATION: OPTION A



ELEVATION: OPTION B

REPAIR 03: SLIP TENON OR STEEL CLEAT REPAIR  
SCALE 1:10

- NOTES:-
1. ALL DIMENSIONS TO BE CHECKED ON SITE AND NO MEASUREMENTS TO BE SCALED OFF THIS DRAWING.
  2. IN CASE OF ANY DISCREPANCY THE ENGINEERS ARE TO BE NOTIFIED IMMEDIATELY.
  3. THIS DRAWING IS TO BE READ IN CONJUNCTION WITH ALL RELEVANT ARCHITECT'S AND SERVICE ENGINEER'S DRAWINGS AND SPECIFICATIONS.

**PLANNING**

**The Morton Partnership**  
Structural Engineers

- OLD TIMBER YARD HOUSE  
55, THE TIMBER YARD  
DRYSDALE STREET, LONDON N1 6ND  
TELEPHONE: 0207 324 7270  
EMAIL: london@themortonpartnership.co.uk
- BRUNEL HOUSE  
NORWICH ROAD  
HALESWORTH, SUFFOLK, IP19 8HX  
TELEPHONE: 01986 875651  
EMAIL: holesworth@themortonpartnership.co.uk
- 8 CHURCH STREET  
COGGESHALL ESSEX CO6 1TU  
TELEPHONE: 01376 563883  
EMAIL: coggeshall@themortonpartnership.co.uk

PROJECT:  
**RECTORY FARM  
THE TYE, BARKING  
SUFFOLK**



TITLE:  
**TIMBER REPAIR DETAILS**

SCALE: 1:10 (A1) DRAWN BY: CJS  
DATE: NOVEMBER 2023 CHECKED BY: IM

DRG No.  
**22014/03 (REV -)**

ISSUED TO PLANNING	IM	23.11.23
REV AMENDMENT	CHK	DATE