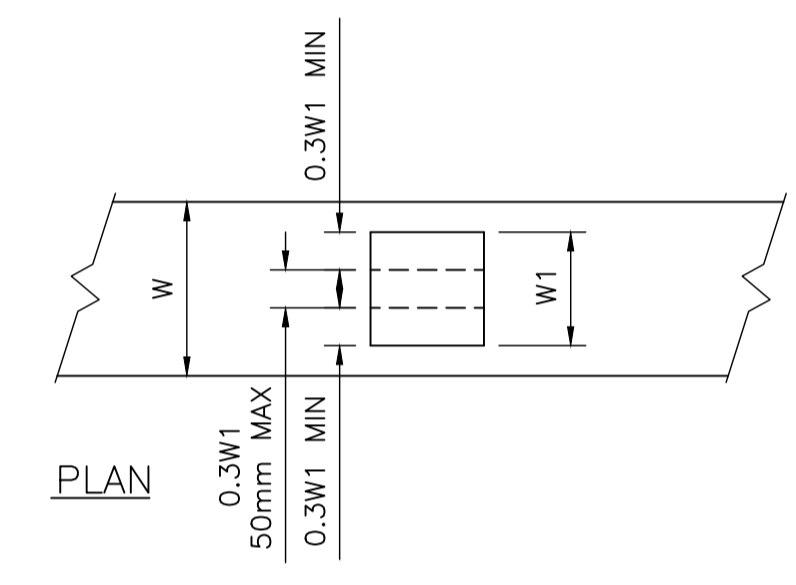
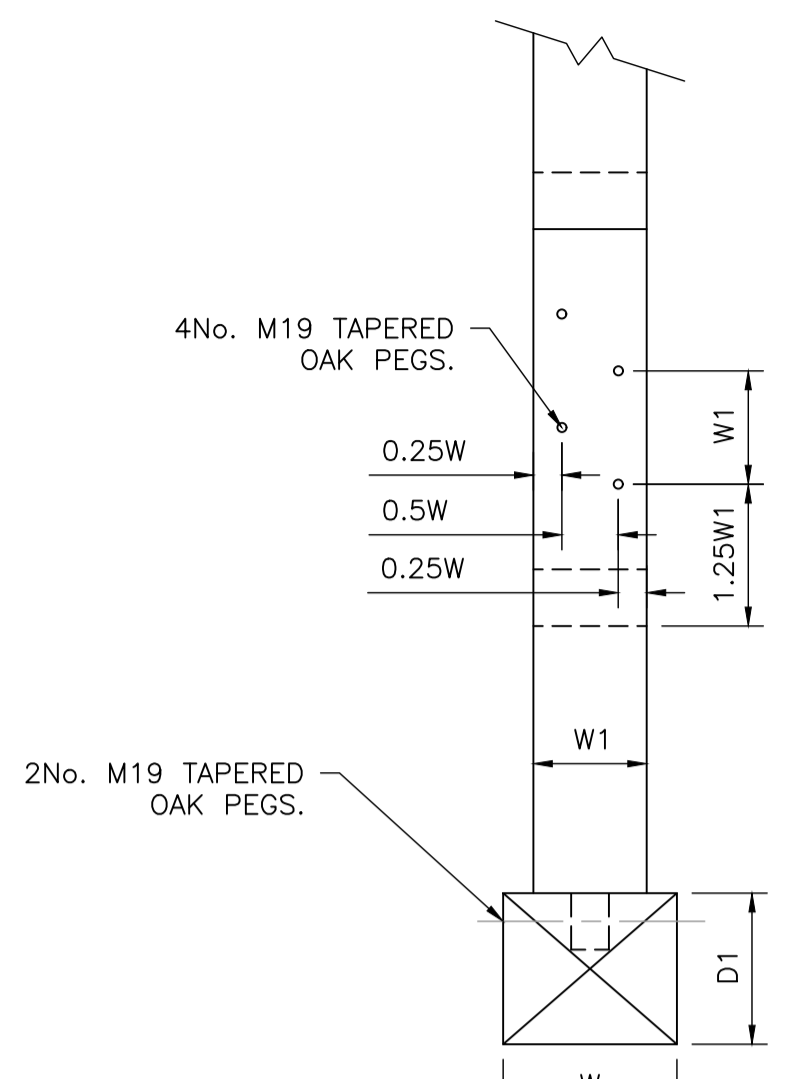


ELEVATION

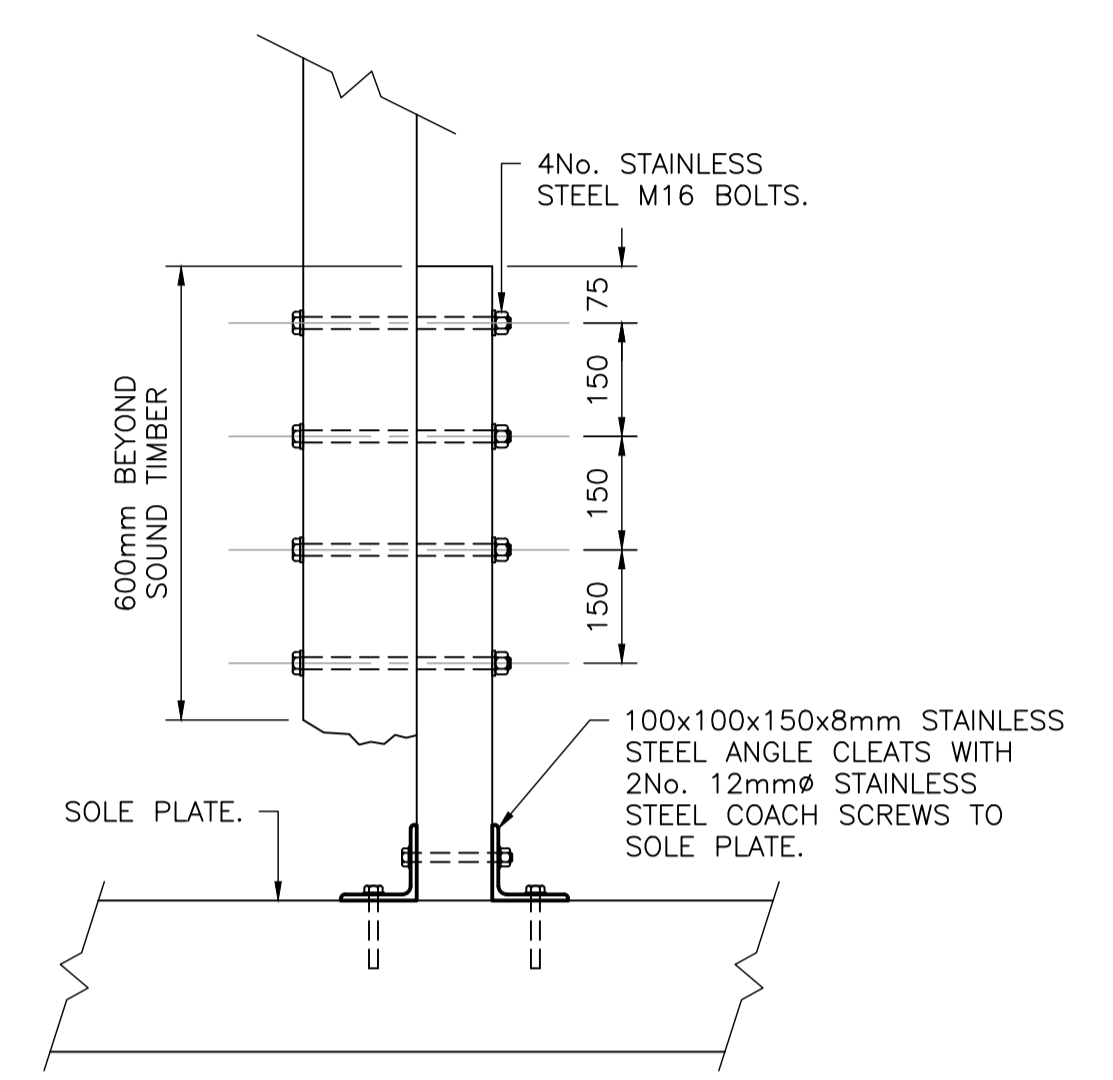


PLAN

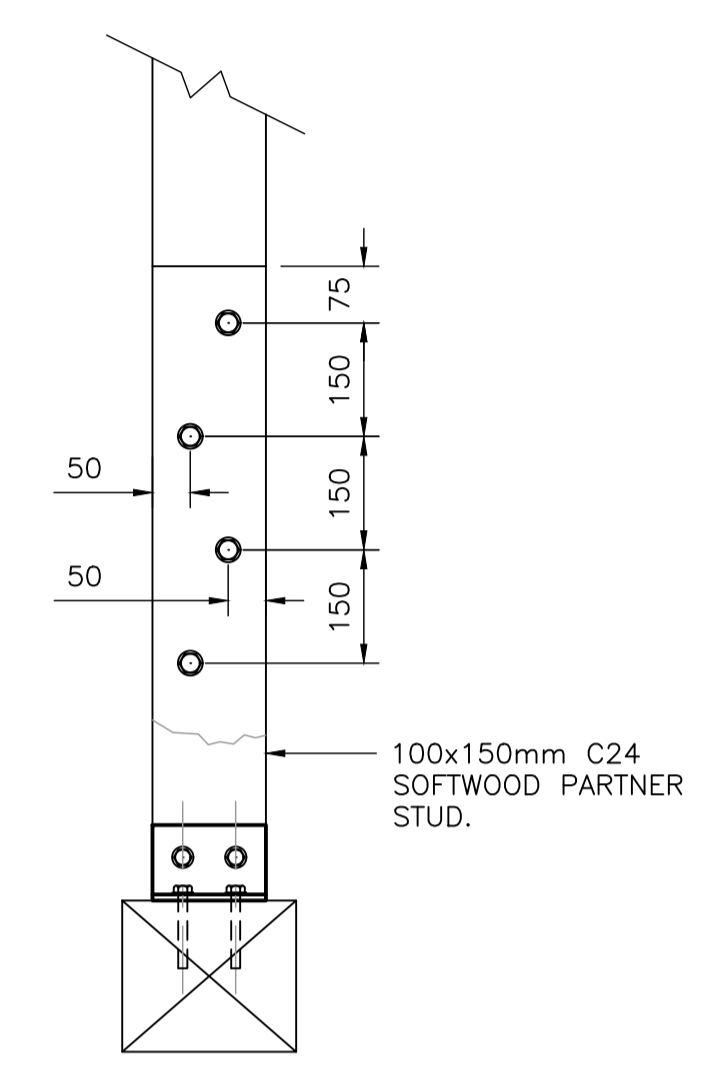
REPAIR 01: STUD SPLICE REPAIR
SCALE 1:10



SIDE ELEVATION

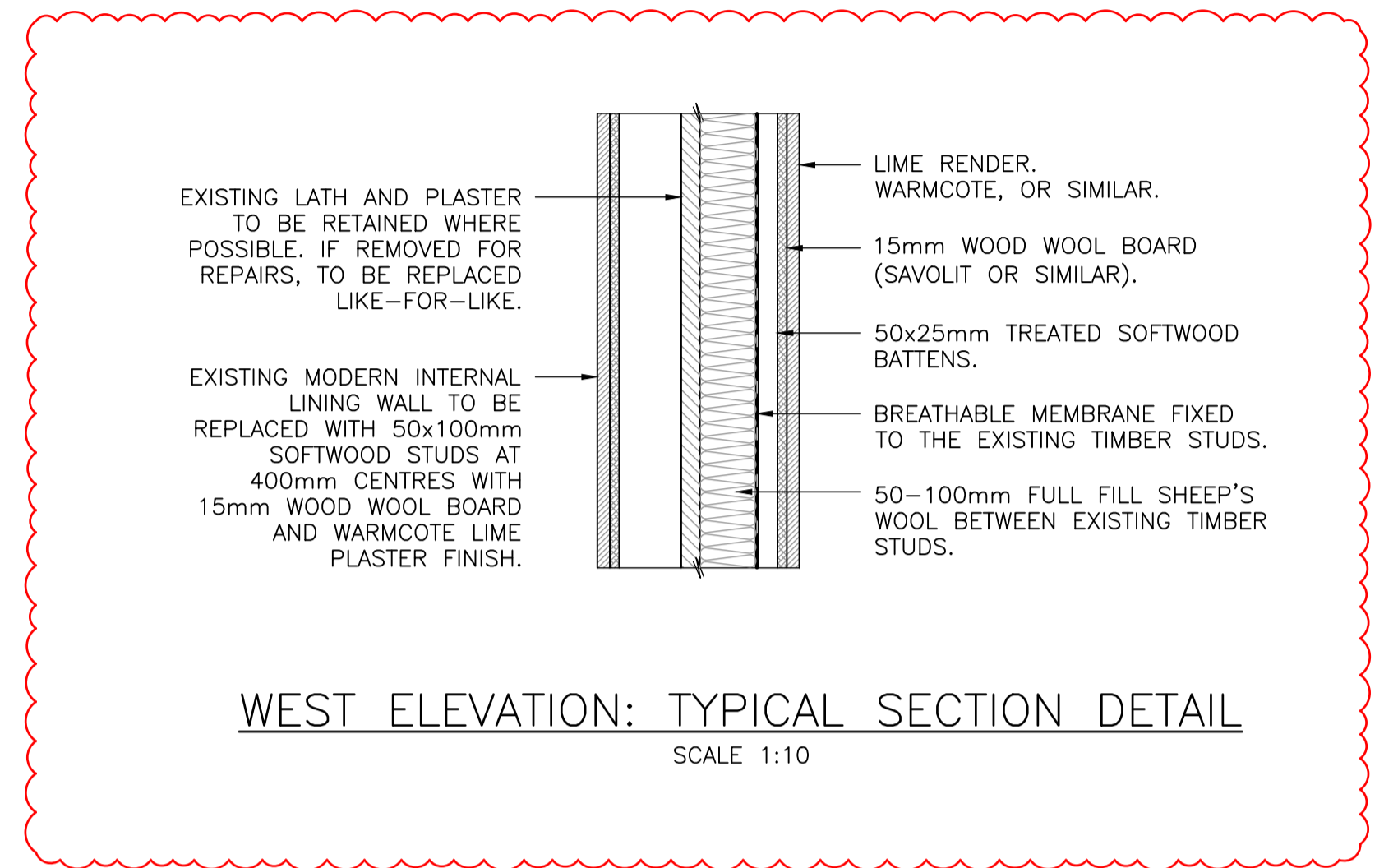


ELEVATION

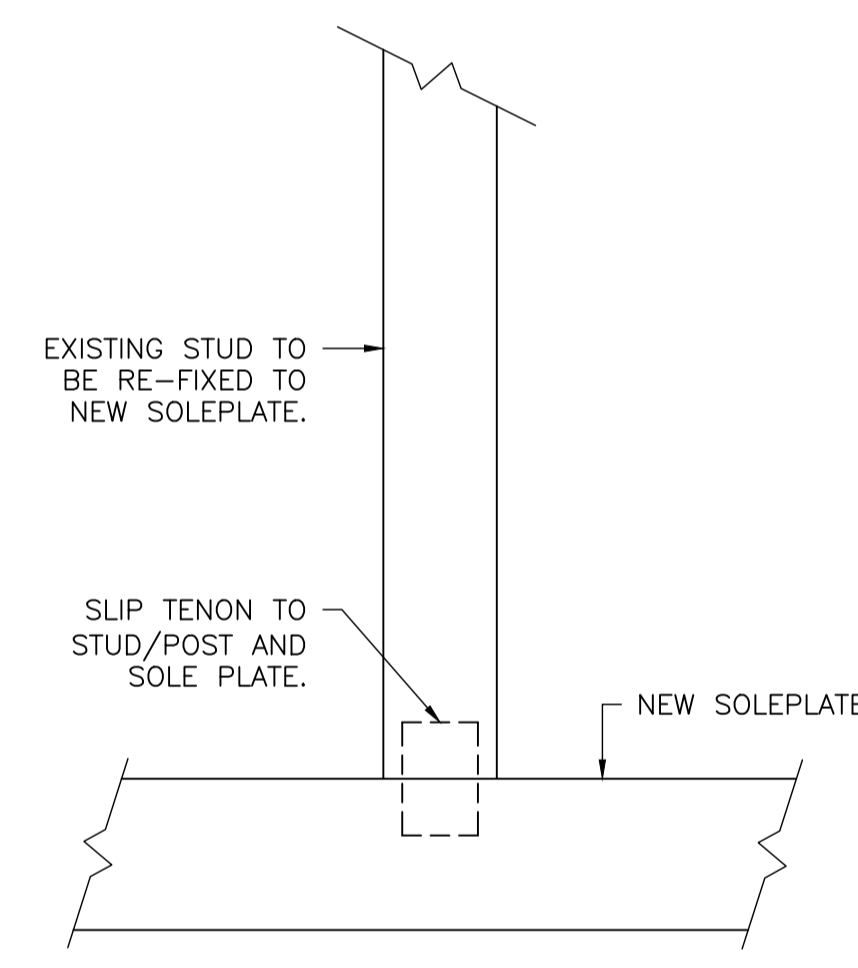


SIDE ELEVATION

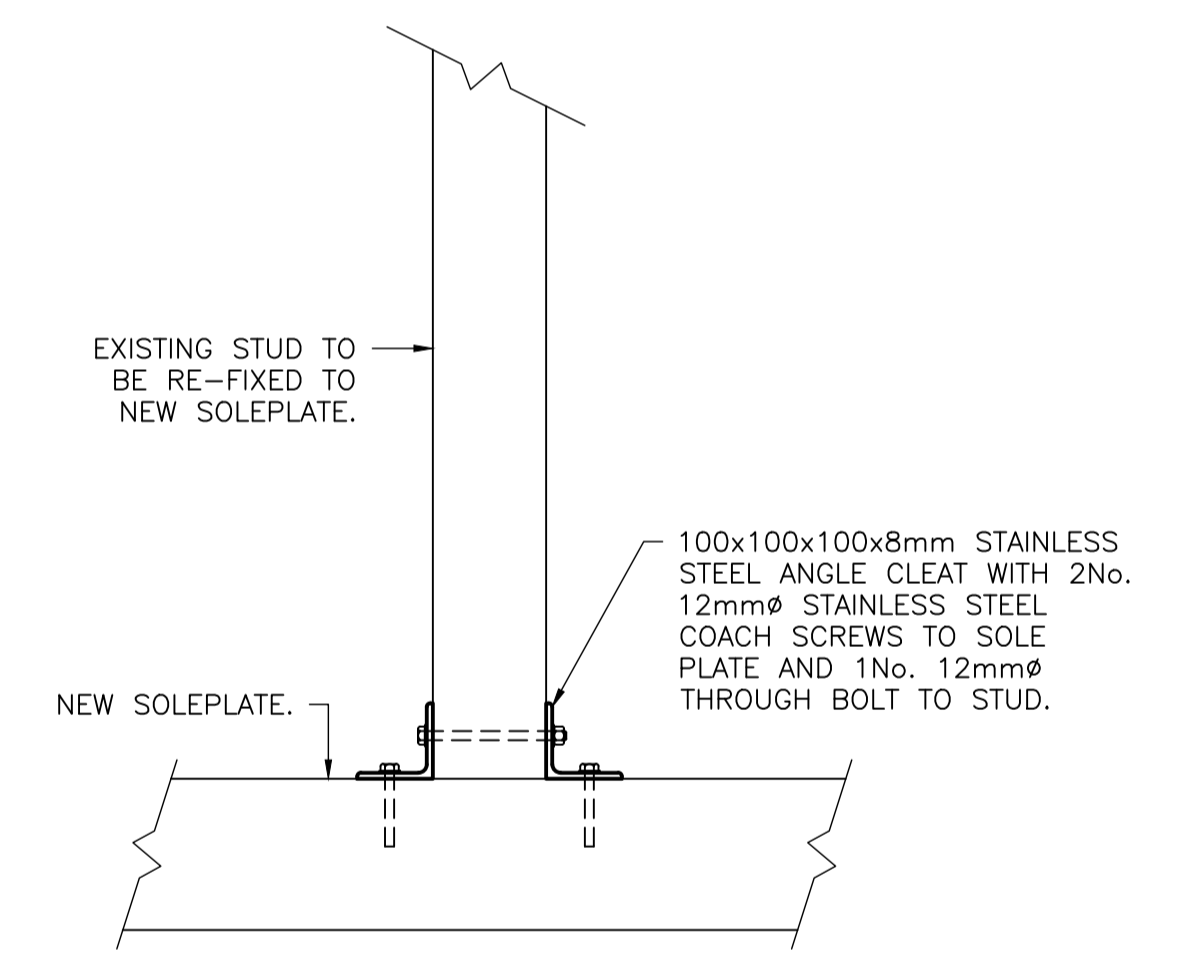
REPAIR 02: STUD PARTNER REPAIR
SCALE 1:10



WEST ELEVATION: TYPICAL SECTION DETAIL
SCALE 1:10



ELEVATION: OPTION A



ELEVATION: OPTION B

REPAIR 03: SLIP TENON OR STEEL CLEAT REPAIR
SCALE 1:10

NOTES:-
1. ALL DIMENSIONS TO BE CHECKED ON SITE AND NO MEASUREMENTS TO BE SCALED OFF THIS DRAWING.
2. IN CASE OF ANY DISCREPANCY THE ENGINEERS ARE TO BE NOTIFIED IMMEDIATELY.
3. THIS DRAWING IS TO BE READ IN CONJUNCTION WITH ALL RELEVANT ARCHITECT'S AND SERVICE ENGINEER'S DRAWINGS AND SPECIFICATIONS.

PLANNING			
A	DETAIL ADDED	IM	27.11.23
-	ISSUED TO PLANNING	IM	23.11.23
REV	AMENDMENT	CHK	DATE

The Morton Partnership
Structural Engineers

OLD TIMBER YARD HOUSE
55 THE TIMBER YARD
DRYSDALE STREET, LONDON N1 6ND
TELEPHONE: 0207 324 7270
EMAIL: london@themortonpartnership.co.uk

BRUNEL HOUSE
NORWICH ROAD
HALESWORTH, SUFFOLK, IP19 8HX
TELEPHONE: 01986 875651
EMAIL: holesworth@themortonpartnership.co.uk

8 CHURCH STREET
COGGESHALL ESSEX CO6 1TU
TELEPHONE: 01376 563883
EMAIL: coggeshall@themortonpartnership.co.uk

PROJECT:
RECTORY FARM
THE TYE, BARKING
SUFFOLK

TITLE:
TIMBER REPAIR DETAILS

SCALE: 1:10 (A1) DRAWN BY: CJS
DATE: NOVEMBER 2023 CHECKED BY: IM
DRG No. **22014/03 (REV A)**

