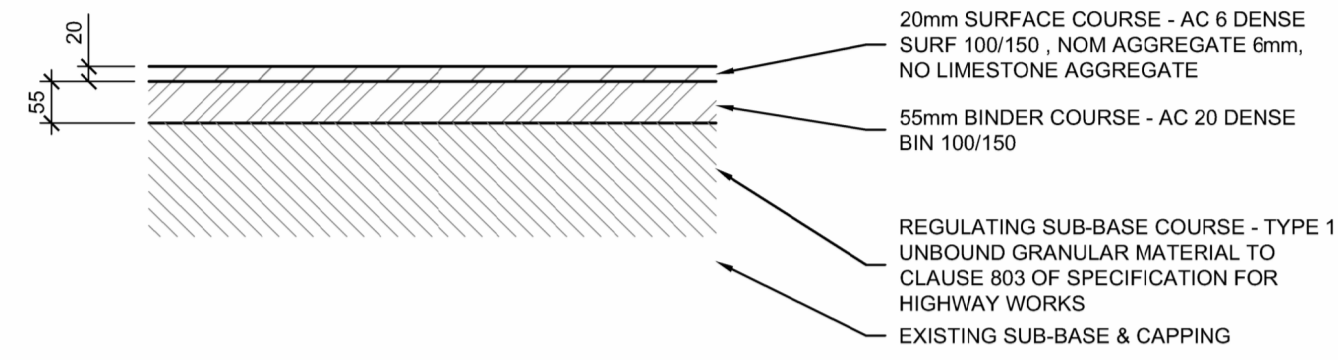


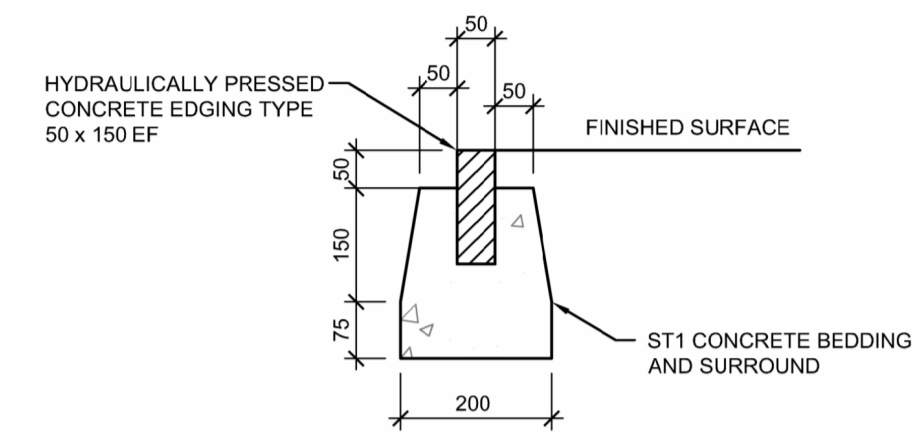
- DESIGN BASED ON:
- THIS DESIGN IS BASED ON BS 7533-4:2006 & BS 7533-101:2021 & BRISTOL COUNTY COUNCIL DOCUMENT 'INDEX OF STANDARD DETAIL DRAWINGS FOR HIGHWAY WORKS';
 - PENNANT STONE SLAB SPECIFICATION TAKEN FROM BRISTOL COUNTY COUNCIL DOCUMENT 'ADOPTABLE HIGHWAY MATERIALS PALETTE' (2023);
 - TRAFFIC CATEGORY 4, PEDESTRIAN AREAS USED BY LIGHT COMMERCIAL VEHICLES, EMERGENCY VEHICLES AND MAINTENANCE VEHICLES;
 - NO CONSTRUCTION TRAFFIC IS ASSUMED;
 - EXISTING SUB-BASE TO BE UTILISED AND LEVELS TO BE ACHIEVED USING A REGULATING SUB-BASE COURSE (TYPE 1 UNBOUND GRANULAR MATERIAL TO CLAUSE 803 OF SPECIFICATION FOR HIGHWAY WORKS);
 - A SUB-GRADE CBR OF 2% AT FORMATION LEVEL HAS BEEN ASSUMED, TO BE CONFIRMED ON SITE.

**PENNANT STONE SLAB VEHICULAR CROSSOVER
CONSTRUCTION (SD 01-006)**

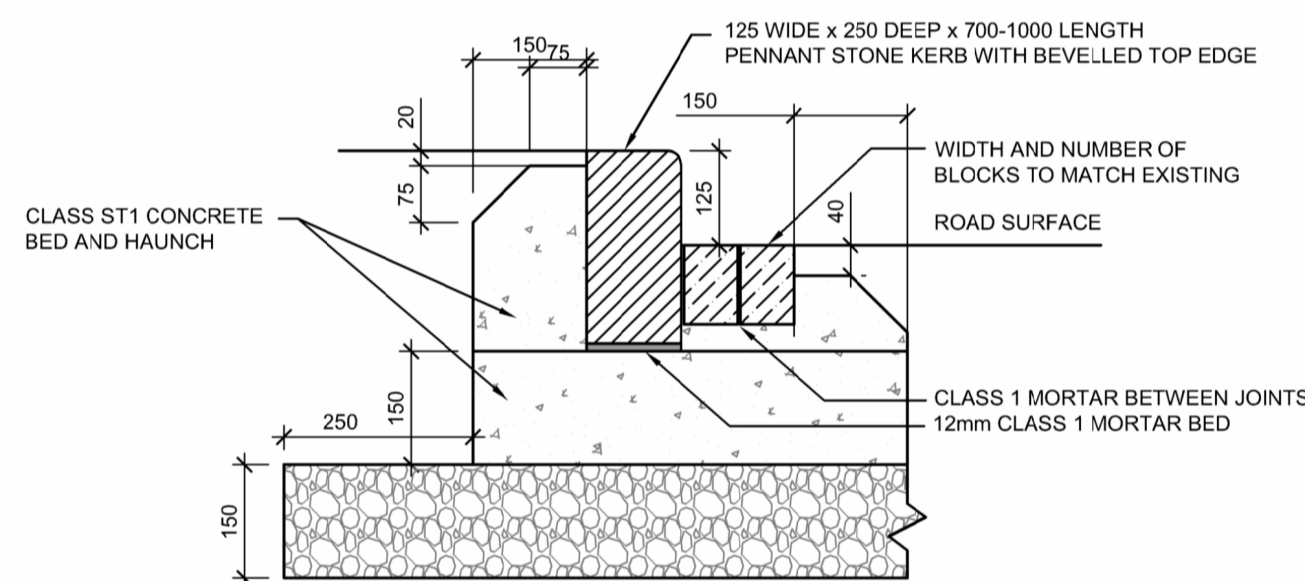


- DESIGN BASED ON:
- THIS DESIGN IS BASED ON THIS DESIGN IS BASED ON BRISTOL COUNTY COUNCIL DOCUMENT 'INDEX OF STANDARD DETAIL DRAWINGS FOR HIGHWAY WORKS';
 - SURFACE COURSE MATERIAL SPECIFICATION TAKEN FROM BRISTOL COUNTY COUNCIL DOCUMENT 'ADOPTABLE HIGHWAY MATERIALS PALETTE' (2023);
 - EXISTING SUB-BASE TO BE UTILISED AND LEVELS TO BE ACHIEVED USING A REGULATING SUB-BASE COURSE (TYPE 1 UNBOUND GRANULAR MATERIAL TO CLAUSE 803 OF SPECIFICATION FOR HIGHWAY WORKS);
 - A SUB-GRADE CBR OF 2% AT FORMATION LEVEL HAS BEEN ASSUMED, TO BE CONFIRMED ON SITE.

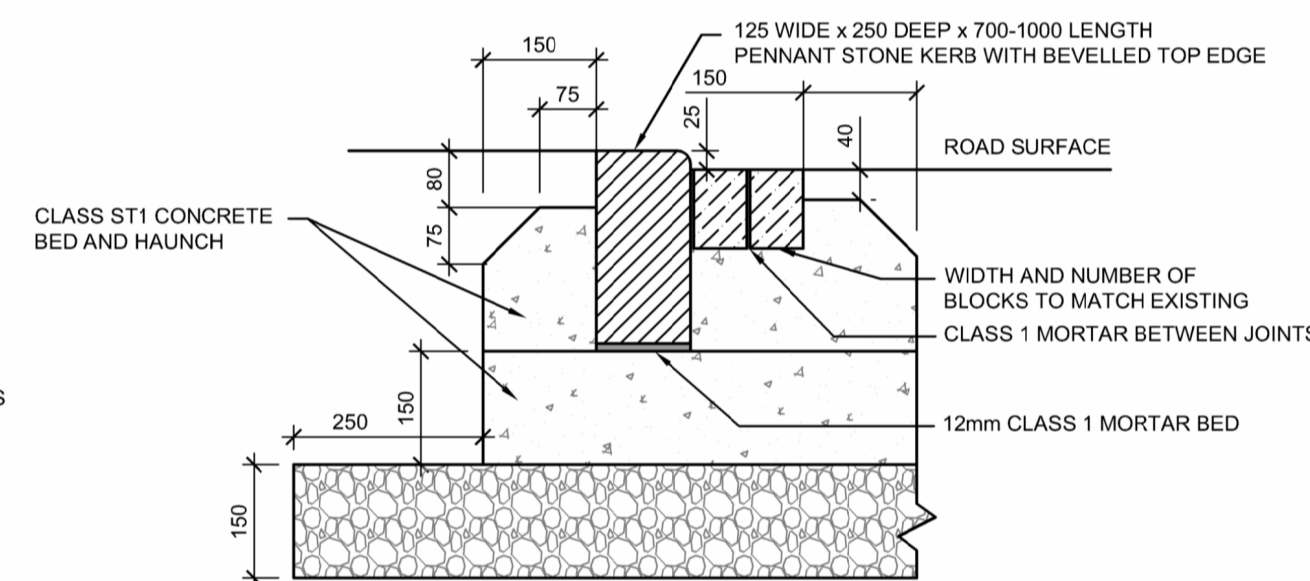
**FLEXIBLE FOOTWAY CONSTRUCTION
(SD 01-006)**



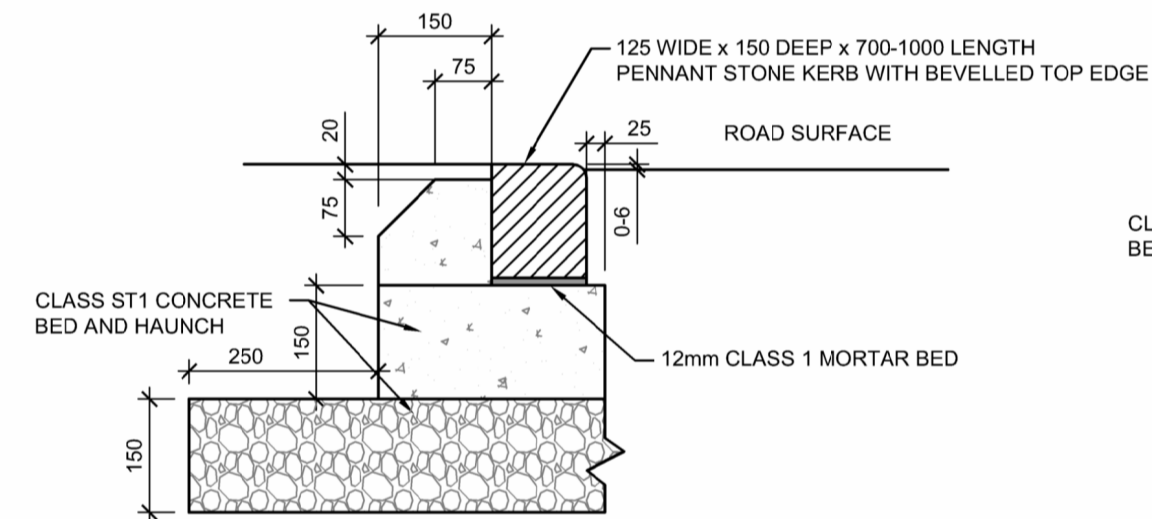
PRECAST CONCRETE EF EDGING DETAIL



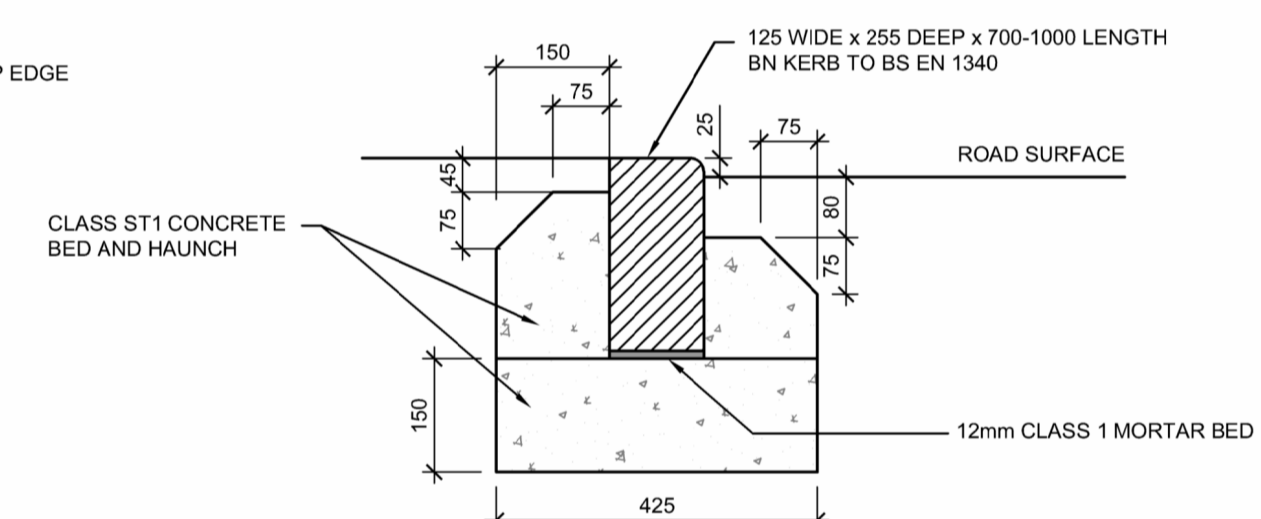
**125mm UPSTAND PENNANT STONE KERB
WITH BLOCK CHANNEL CONSTRUCTION (SD 02-001/004)**



**25mm UPSTAND PENNANT STONE KERB
WITH BLOCK CHANNEL CONSTRUCTION (SD 02-001/004)**



**0-6mm UPSTAND PENNANT STONE KERB
CONSTRUCTION (SD 02-001/004)**



**25mm UPSTAND DEMARCATION
BN KERB (SD 02-005)**

HEALTH AND SAFETY INFORMATION

CONSTRUCTION
THIS DRAWING SHOULD NOT BE USED FOR CONSTRUCTION PURPOSES.

NOTES

- DO NOT SCALE FROM THIS DRAWING. ONLY FIGURED DIMENSIONS ARE TO BE USED.
- ALL DIMENSIONS ARE IN MILLIMETRES UNLESS OTHERWISE STATED.
- ALL LEVELS ARE IN METRES ABOVE ORDNANCE DATUM UNLESS OTHERWISE STATED.
- THIS DRAWING IS TO BE READ IN CONJUNCTION WITH ALL RELEVANT ARCHITECTS AND ENGINEERS DRAWINGS AND SPECIFICATIONS.
- SEE DRAWING CRB-WWS-XX-XX-D-C-05000 FOR GENERAL ARRANGEMENT.
- CONSTRUCTION DETAILS DEVELOPED IN ACCORDANCE WITH BRISTOL COUNTY COUNCIL DOCUMENTS 'INDEX OF STANDARD DETAIL DRAWINGS FOR HIGHWAY WORKS' (2023) & 'ADOPTABLE HIGHWAY MATERIALS PALETTE' (2023).

KEY

P03	ISSUED TO BRISTOL COUNTY COUNCIL	DL	RW	RW	27/10/2023
P02	ISSUED TO HILL	DL	RW	RW	17/10/2023
P01	ISSUED TO DESIGN TEAM	DL	RW	RW	31/08/2023
REV	DESCRIPTION	DRN	CHK	APP	DATE

whitby wood

91-94 LOWER MARSH
LONDON SE1 7AB, UNITED KINGDOM
+44 (0)20 7442 2216 www.whitbywood.com



PROJECT
COLLEGE ROAD
BRISTOL

PRELIMINARY

DRAWING TITLE
SECTION 278
CONSTRUCTION DETAILS

DATE	SCALES @ A1	DRAWN BY	CHECKED	APPROVED
31/08/2023	NTS	DL	RW	RW
DRAWING NUMBER				REVISION
CRB-WWS-XX-XX-D-C-05002				P03