

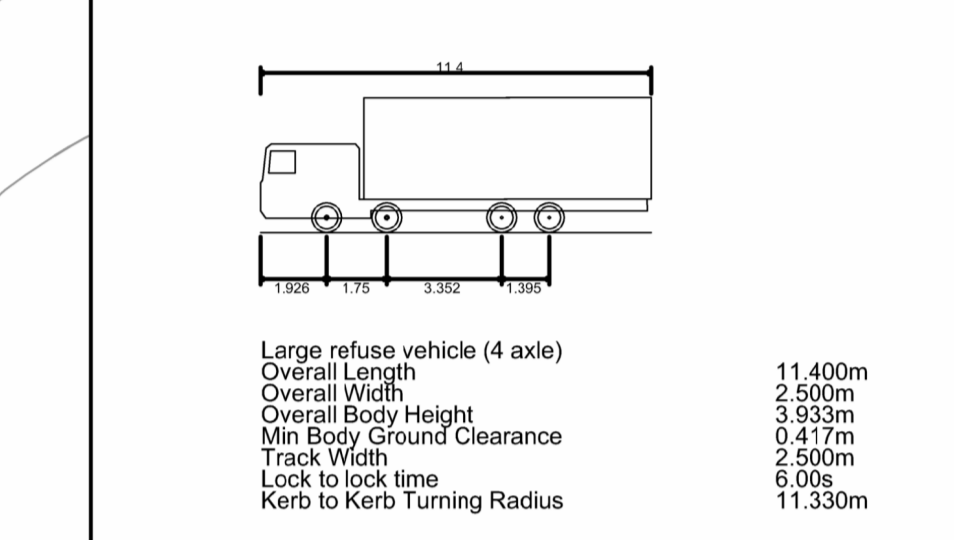


HEALTH AND SAFETY INFORMATION

CONSTRUCTION
THIS DRAWING SHOULD NOT BE USED FOR CONSTRUCTION PURPOSES.

NOTES

- DO NOT SCALE FROM THIS DRAWING. ONLY FIGURED DIMENSIONS ARE TO BE USED.
- ALL DIMENSIONS ARE IN MILLIMETRES UNLESS NOTED OTHERWISE.
- ALL LEVELS ARE IN METRES ABOVE ORDNANCE DATUM UNLESS NOTED OTHERWISE.
- THIS DRAWING IS TO BE READ IN CONJUNCTION WITH ALL RELEVANT ARCHITECTS AND ENGINEERS DRAWINGS AND SPECIFICATIONS.
- REFUSE TRACKING VEHICLE IN ACCORDANCE WITH FIG. 1 OF BRISTOL COUNTY COUNCIL DOCUMENT '2.5 TURNING AND SWEEP PATHS' (OCTOBER 2022).
- MATERIAL SPECIFICATIONS IN ACCORDANCE WITH BRISTOL COUNTY COUNCIL DOCUMENT '3.7.0 ADOPTABLE HIGHWAY MATERIAL PALETTE' (APRIL 2023), SECTION: CONSERVATION AREAS.
- LINE MARKINGS ARE TO BE APPLIED IN ACCORDANCE WITH DOCUMENT TRAFFIC SIGNS REGULATIONS AND GENERAL DIRECTIONS (2016).
- SEE DRAWING CRB-WWS-XX-XX-D-05001 FOR EXISTING SERVICES PLAN.



KEY

- EXTENT OF S278 WORKS
- PROPOSED 125mm UPSTAND KERB
- PROPOSED 25mm UPSTAND KERB
- PROPOSED FLUSH KERB
- PROPOSED CONCRETE EDGING
- PROPOSED 25mm UPSTAND DEMARICATION KERB
- FOOTWAY RESURFACING
20mm AC6 CLOSE SURF 100/150, 6mm NOMINAL AGGREGATE SIZE
- FOOTWAY RESURFACING AND RELEVELLING
20mm AC6 CLOSE SURF 100/150, 6mm NOMINAL AGGREGATE SIZE
- CROSSOVER
450-600 x 450-600 x MIN. 75mm PENNANT SLABS
- BLOCK CHANNEL TO BE RETAINED / REPLACED
- 50.000 @ SPOT ELEVATION
- WM WATER MAIN IC
- BT BT INSPECTION CHAMBER
- SV STOP VALVE
- CATV CATV INSPECTION CHAMBER
- IC INSPECTION CHAMBER

P04	ISSUED TO BRISTOL COUNTY COUNCIL	DL	RW	RW	27/10/2023
P03	ISSUED TO HILL	DL	RW	RW	17/10/2023
P02	UPDATED AS PER DESIGN TEAM COMMENTS	DL	RW	RW	31/08/2023
P01	ISSUED FOR DISCUSSION	DL	RW	RW	09/08/2023
REV	DESCRIPTION	DRN	CHK	APP	DATE

whitby wood
91-94 LOWER MARSH
LONDON SE1 7AB, UNITED KINGDOM
+44 (0)20 7442 2216 www.whitbywood.com

Hill
The Hill Group

PROJECT
**COLLEGE ROAD
BRISTOL**

PRELIMINARY

DRAWING TITLE
**SECTION 278
GENERAL ARRANGEMENT**

DATE	04/08/2023	SCALES @ A1	1:200	DRAWN BY	DL	CHECKED	RW	APPROVED	RW	
DRAWING NUMBER	CRB-WWS-XX-XX-D-C-05000								REVISION	P04