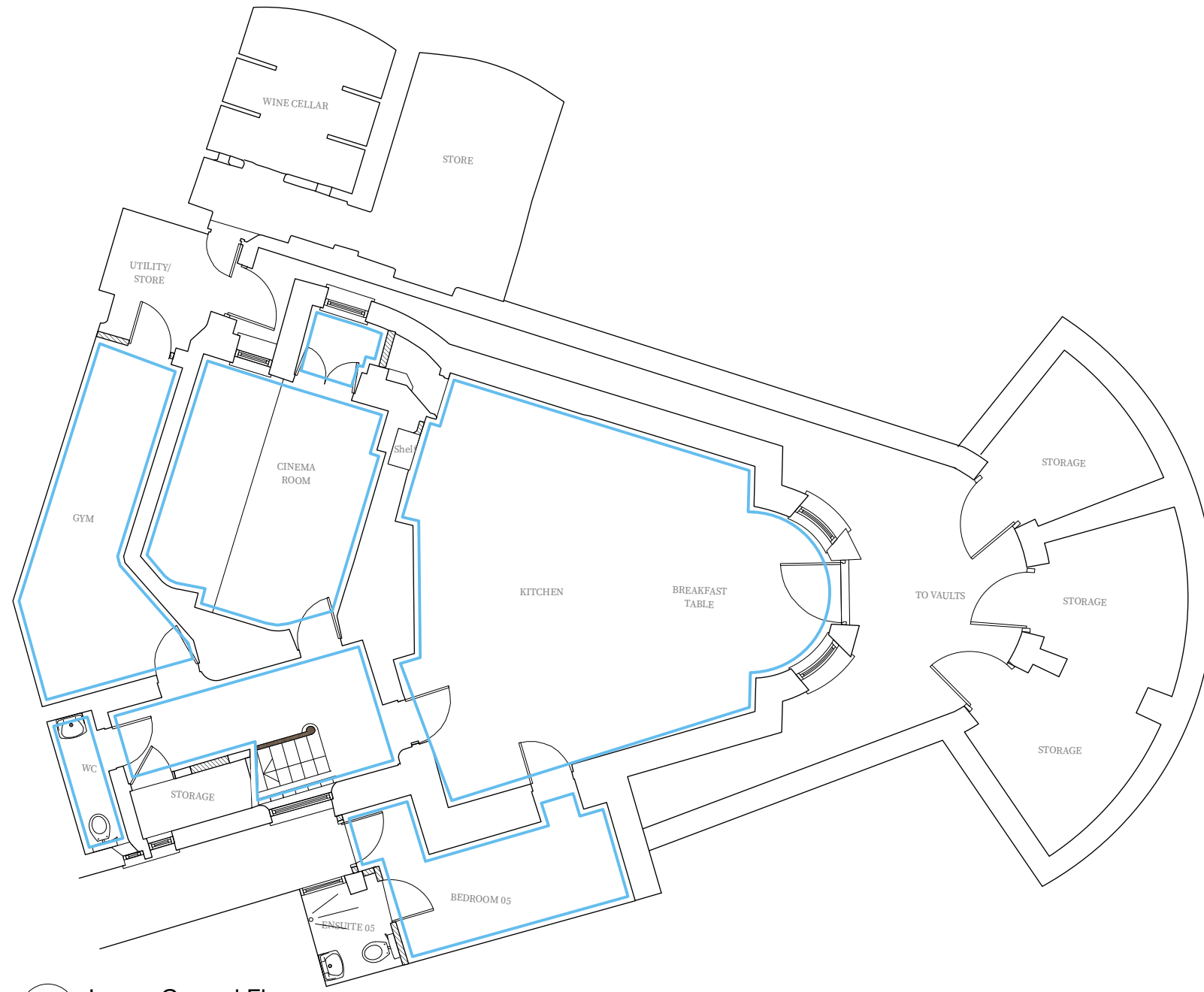



Project	
1 West Halkin	
Project Number	
1083	
Drawing Title	
Lower Ground Floor - Proposed Skirting Detail	
Paper Scale	Issue Date
@ A3	16/08/23


Revision A 17 11 23

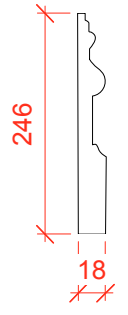


1 Lower Ground Floor  
Scale: 1:100

**KEY**

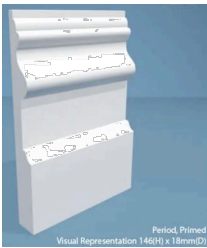
 **Skirting Type 1**  
Existing skirting to be retained and reinstated

 **Skirting Type 2**  
246mm x 18mm



246

18



Period, Primed  
Visual Representation 146(H) x 18(mm)D

1:5 @ A3

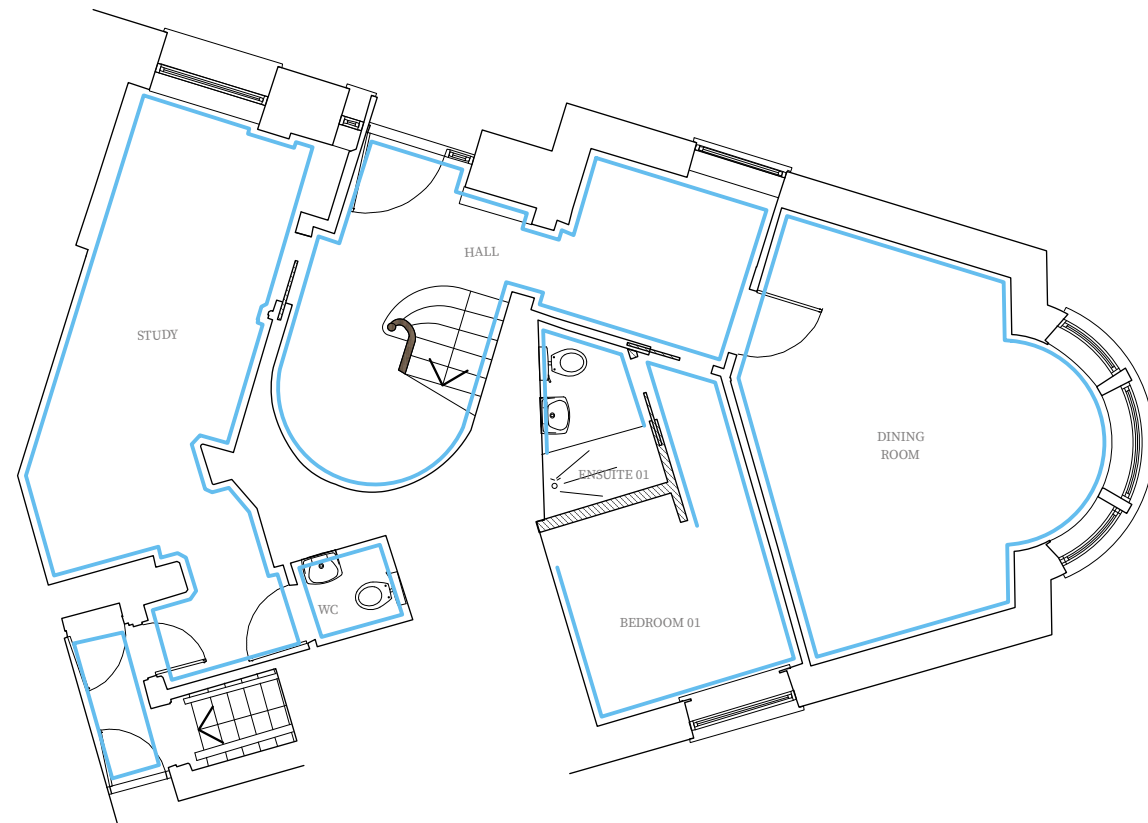
Project  
**1 West Halkin**

Project Number  
**1083**

Drawing Title  
**Ground Floor - Proposed Skirting Detail**

Paper Scale	Issue Date
@ A3	16/08/23

Revision A 17 11 23

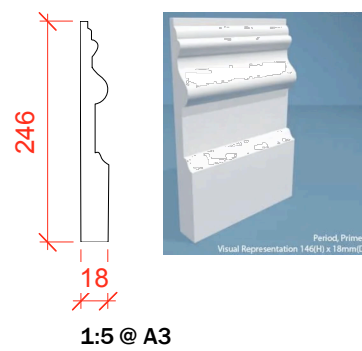


1 Ground Floor  
Scale: 1:100

**KEY**

 **Skirting Type 1**  
Existing skirting to be retained and reinstated

 **Skirting Type 2**  
246mm x 18mm



**DESIGN & THAT**

177 Victoria Park Road, E9 7JN  
Phone +44 (0) 7891611379

www.designandthat.com  
hello@designandthat.com

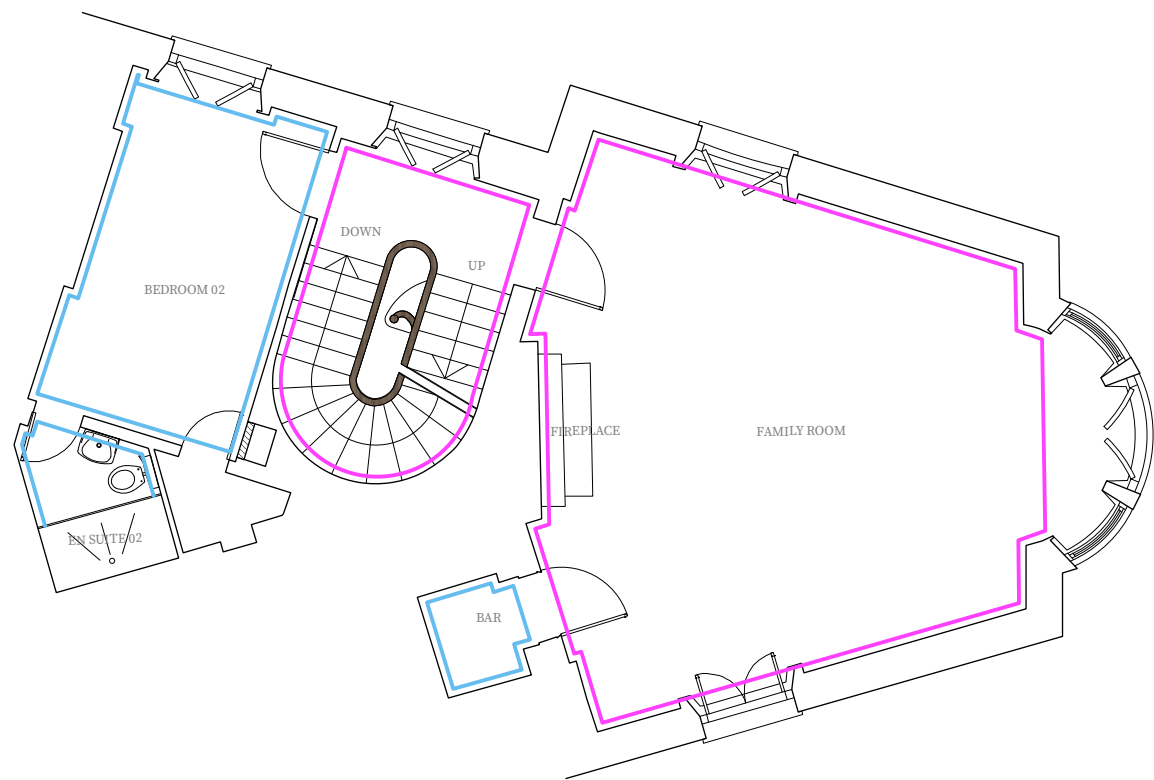
Project  
**1 West Halkin**

Project Number  
**1083**

Drawing Title  
**First Floor - Proposed Skirting  
Detail**

Paper Scale	Issue Date
@ A3	16/08/23

Revision A 17 11 23

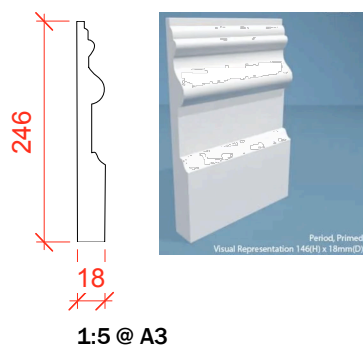


1 First Floor  
Scale: 1:100

**KEY**

**Skirting Type 1**  
Existing skirting to  
be retained and  
reinstated

**Skirting Type 2**  
246mm x 18mm



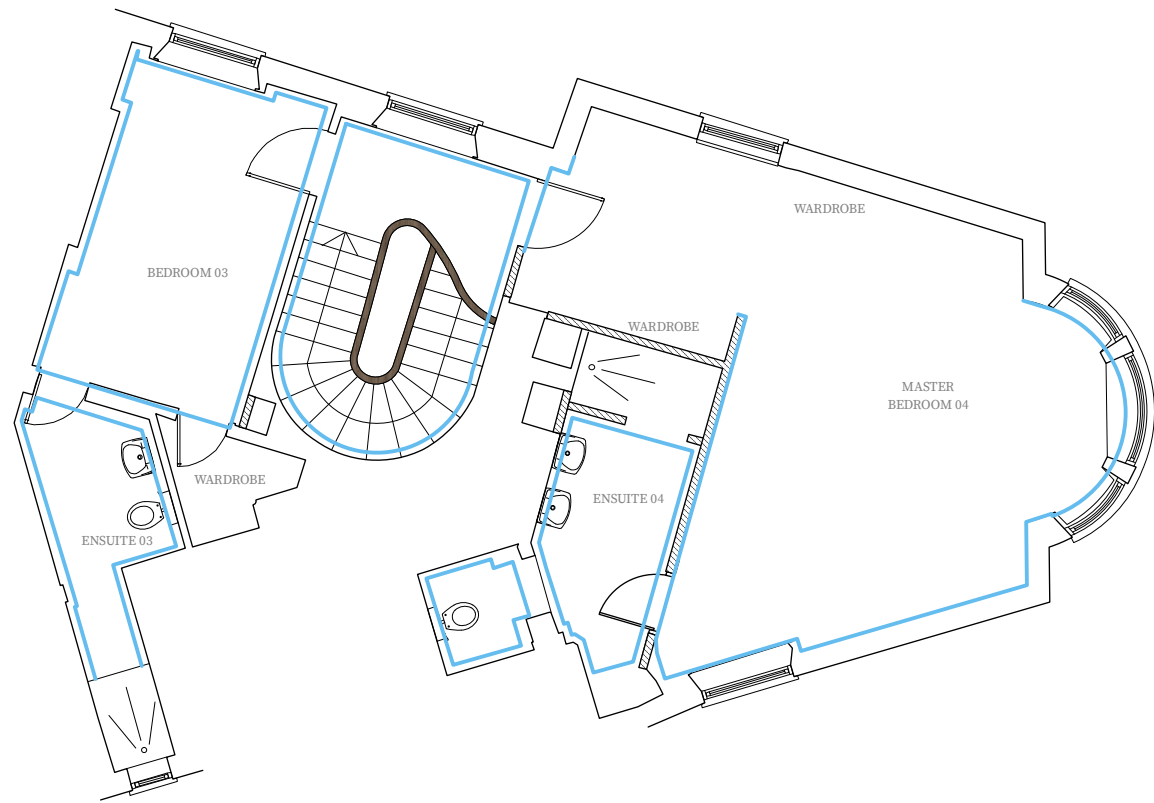
**DESIGN & THAT**

177 Victoria Park Road, E9 7JN  
Phone +44 (0) 7891611379

www.designandthat.com  
hello@designandthat.com

Project	
1 West Halkin	
Project Number	
1083	
Drawing Title	
Second Floor - Proposed Skirting Detail	
Paper Scale	Issue Date
@ A3	16/08/23

Revision A 17 11 23



1 Second Floor  
Scale: 1:100

**KEY**

— Skirting Type 1  
Existing skirting to be retained and reinstated

— Skirting Type 2  
246mm x 18mm

246  
18  
1:5 @ A3