

1 Plan
1:20 @ A3

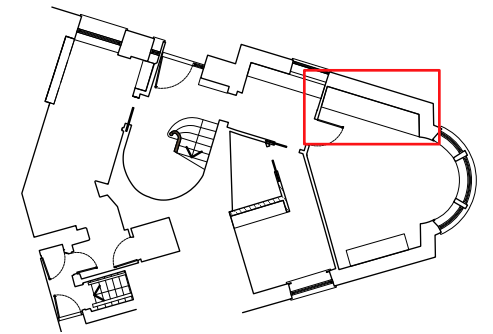
Project
1 West Halkin

Drawing Title
GF Dining Room Counter Detail

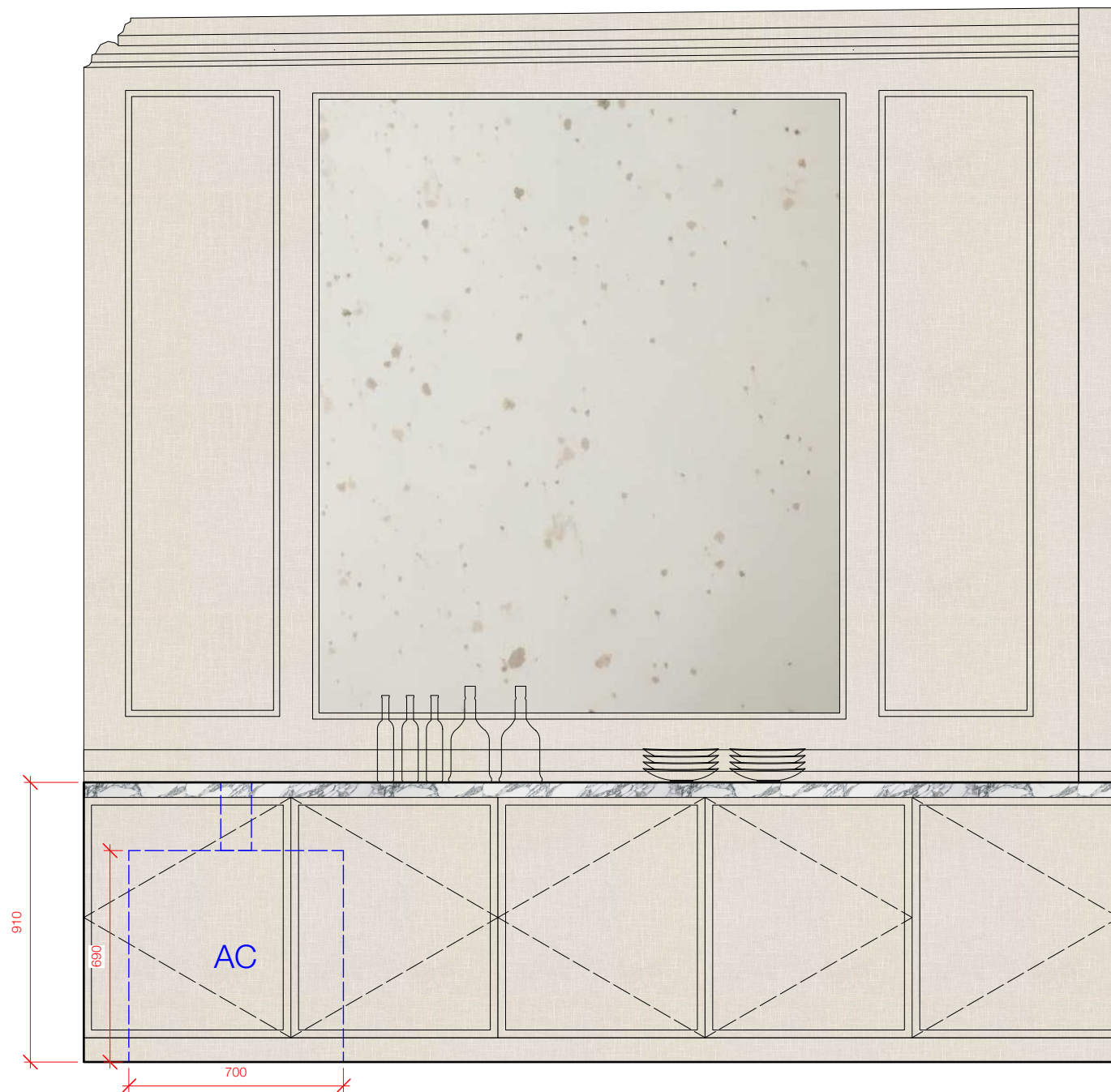
Issue Date
22/11/23

Paper Scale
@ A3

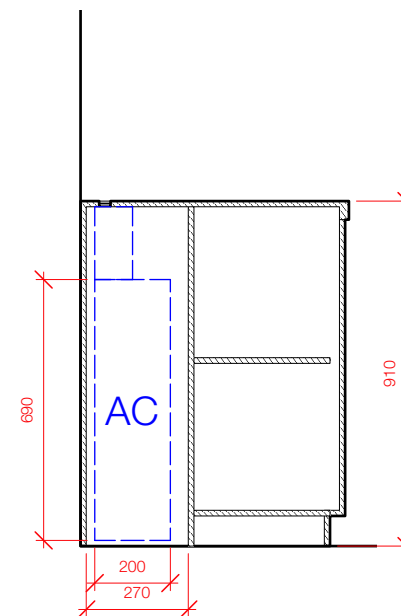
Revision



LOCATION PLAN
NTS



2 Elevation
1:20 @ A3



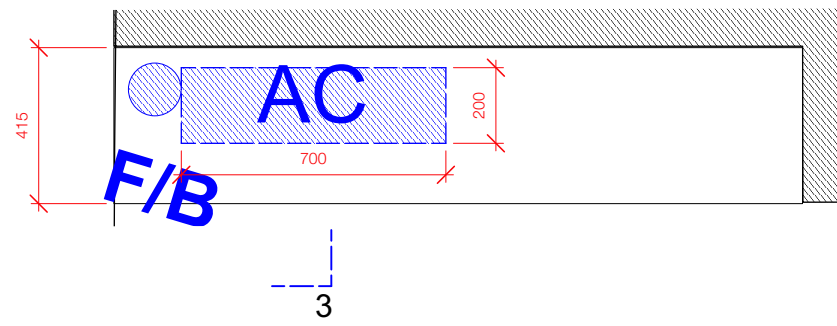
3 Section
1:20 @ A3

This drawing is for illustrative purposes only. All drawings are not for construction unless specifically marked for this purpose.

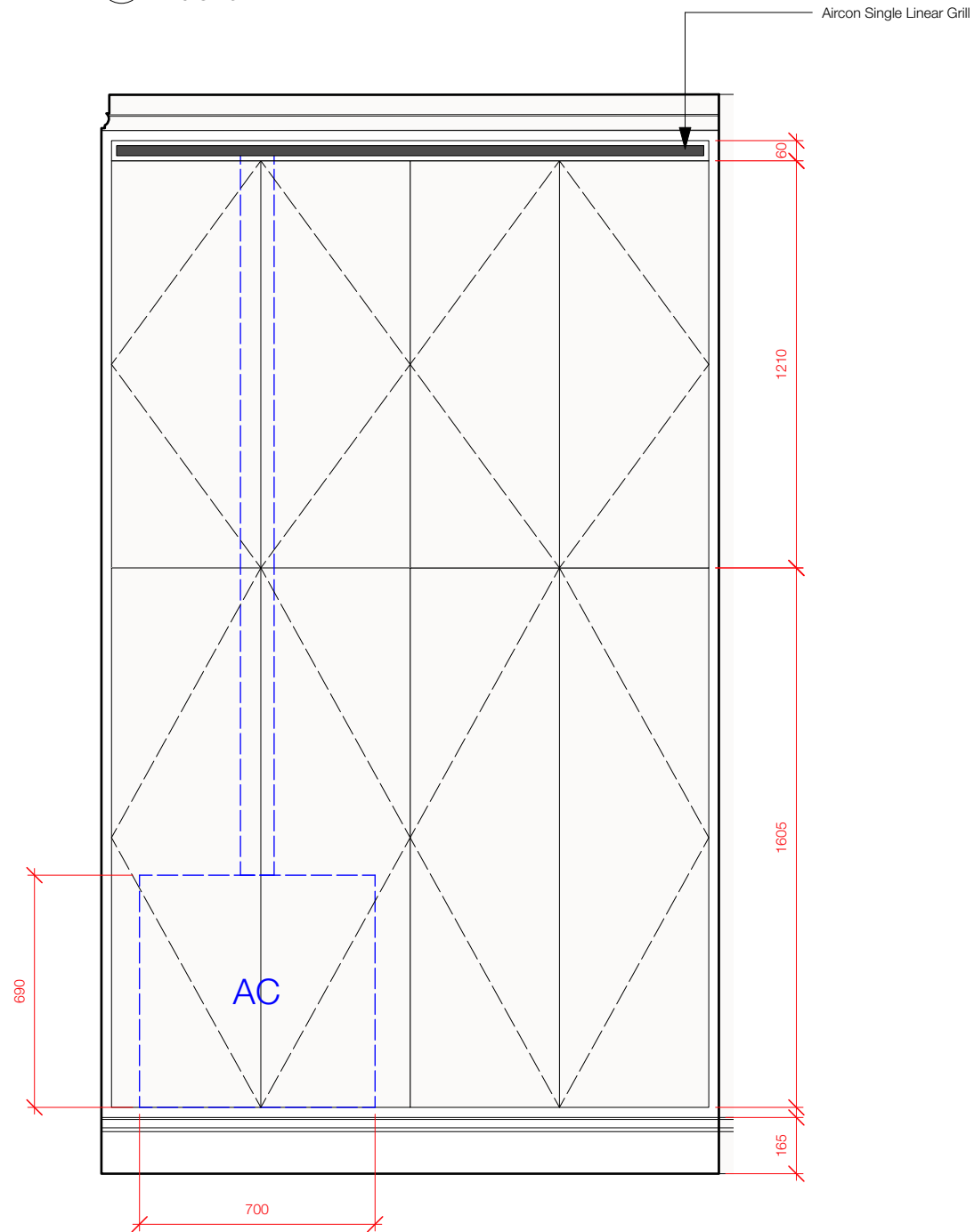
All dimensions to be checked on site. Any discrepancy to be verified with the Architect / Designer before proceeding with the works.

DESIGN & THAT
177 Victoria Park Road, E9 7JN
Phone +44 (0) 7891611379

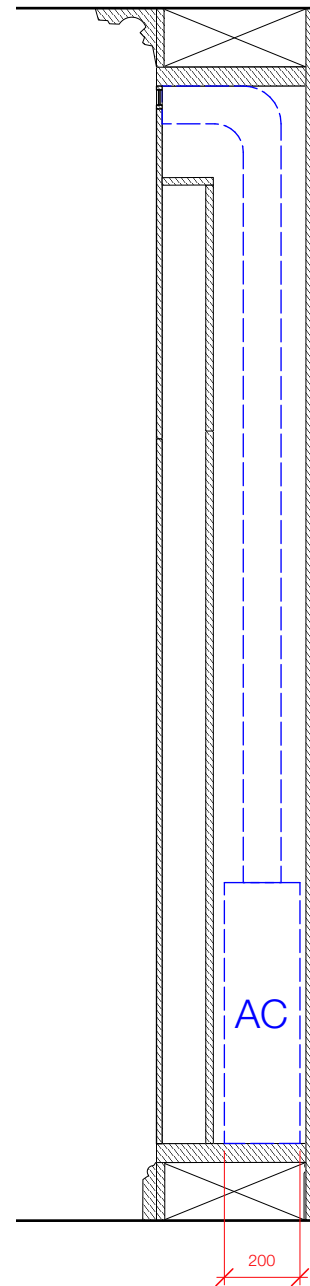
www.designandthat.com
hello@designandthat.com



1 Plan
1:20 @ A3



2 Elevation
1:20 @ A3



3 Section
1:20 @ A3

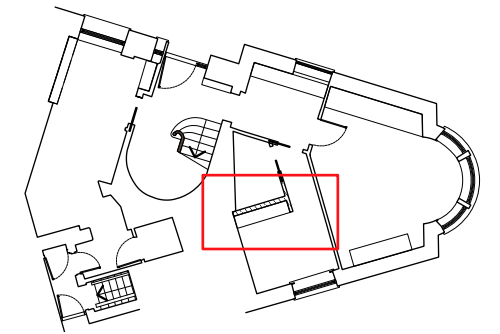
Project
1 West Halkin

Drawing Title
GF Guest Bedroom Wardrobe Detail

Issue Date
22/11/23

Paper Scale
@ A3

Revision



LOCATION PLAN
NTS

This drawing is for illustrative purposes only. All drawings are not for construction unless specifically marked for this purpose.

All dimensions to be checked on site. Any discrepancy to be verified with the Architect / Designer before proceeding with the works.

DESIGN & THAT

177 Victoria Park Road, E9 7JN
Phone +44 (0) 7891611379

www.designandthat.com
hello@designandthat.com

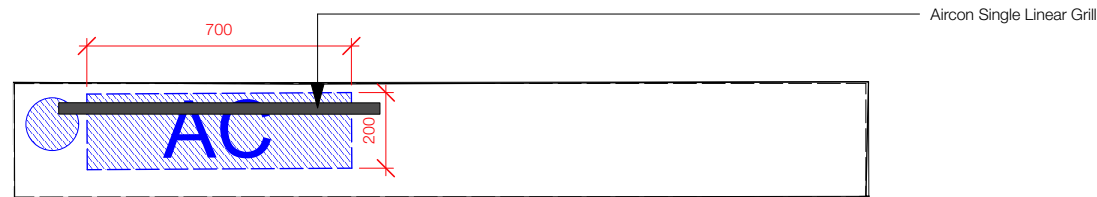
Project
1 West Halkin

Drawing Title
GF Study Library Detail

Issue Date
22/11/23

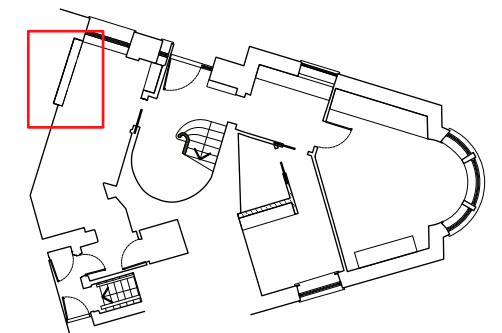
Paper Scale
@ A3

Revision

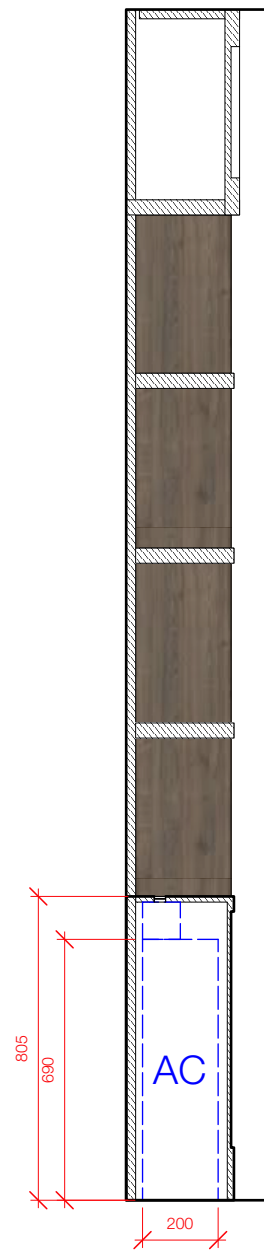


1 Plan
1:20 @ A3

3



2 Elevation
1:20 @ A3



3 Section
1:20 @ A3

This drawing is for illustrative purposes only. All drawings are not for construction unless specifically marked for this purpose.

All dimensions to be checked on site. Any discrepancy to be verified with the Architect / Designer before proceeding with the works.

DESIGN & THAT
177 Victoria Park Road, E9 7JN
Phone +44 (0) 7891611379

www.designandthat.com
hello@designandthat.com