

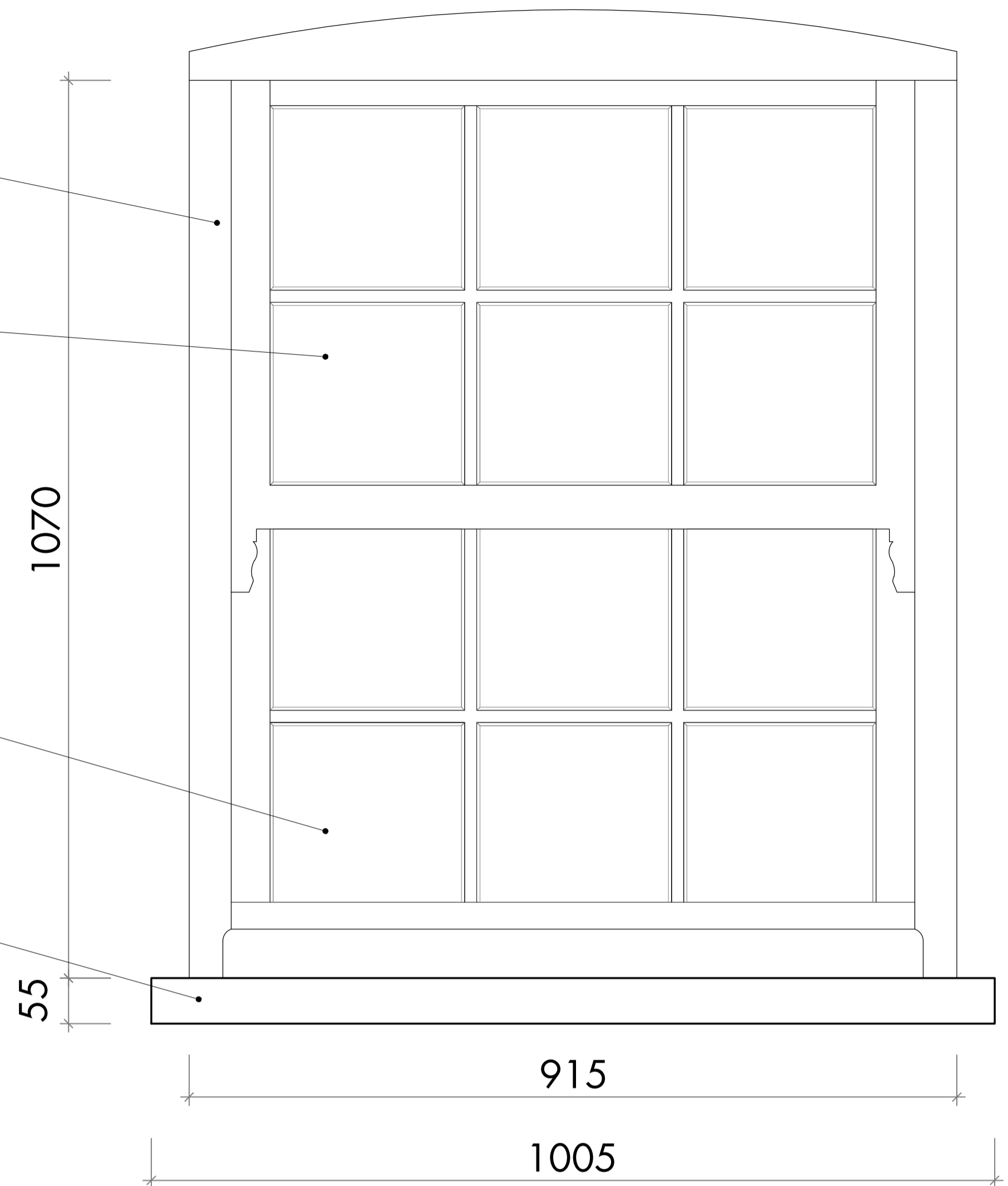
PROPOSED 3F PLAN - 1:50 SCALE @ A1

TRADITIONAL HAND PAINTED
TIMBER - TO MATCH EXISTING

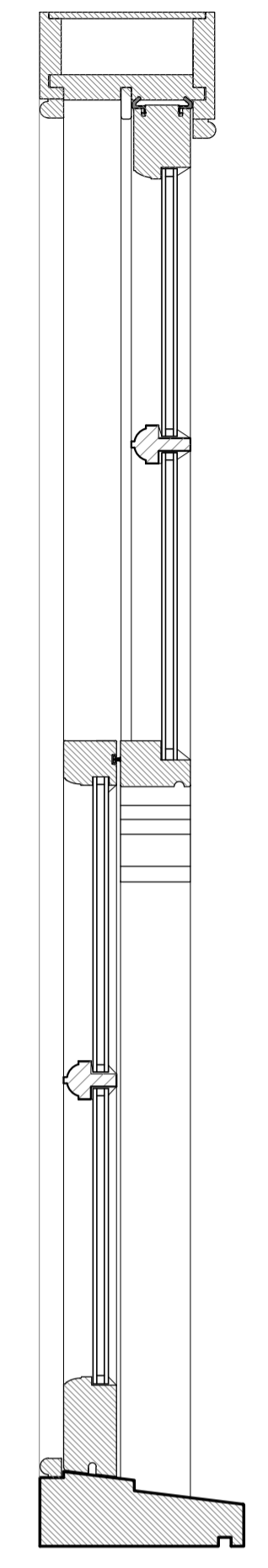
ULTRA SLIMLINE DOUBLE GLAZING
12MM BUILD-UP COMPRISING:
4MM GLASS/4MM GAP/4MM
GLASS) WITH INTEGRAL (TRUE
DIVING) GLAZING BARS

6 OVER 2 PAINTED TOP
SASH WINDOW - TO MATCH
EXISTING

PROPOSED SILL TO SASH WINDOW
- TO MATCH EXISTING

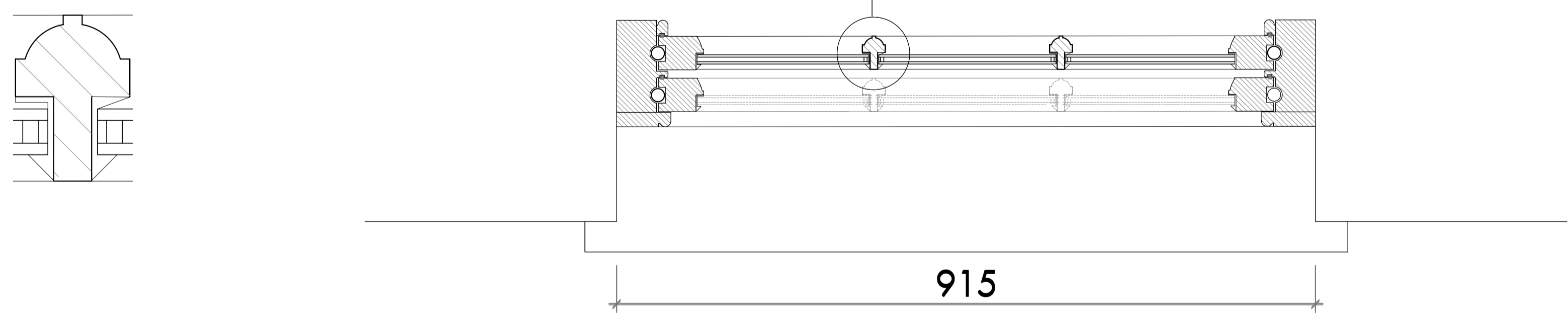


PROPOSED EXTERNAL ELEVATION - 1:5 SCALE @ A1

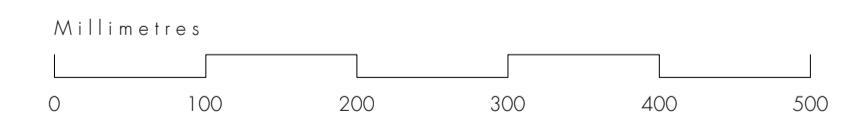


PROPOSED SECTION - 1:5 SCALE @ A1

DETAIL 01: INTEGRAL TRUE DIVING GLAZING BARS -
1:1 SCALE @ A1



PROPOSED PLAN - 1:5 SCALE @ A1



NO.	REVISIONS	DATE	INITIAL

NOTES

- THIS DRAWING IS NOT TO BE SCALED
- ALL DIMENSIONS AND LEVELS TO BE CHECKED ON SITE PRIOR TO SETTING OUT OR MANUFACTURE. ANY DISCREPANCIES BETWEEN SITE, DRAWING OR SPECIFICATION TO BE REPORTED TO THE ARCHITECT IMMEDIATELY.
- THIS DRAWING IS THE COPYRIGHT OF IAN WYLIE ARCHITECTS AND SHALL NOT BE REPRODUCED WITHOUT PERMISSION.

**PLANNING AND LISTED
BUILDING CONDITIONS**

IAN WYLIE ARCHITECTS

17 NOTTINGHAM STREET
7935 8885
LONDON W1U 5EW
info@ianwyliearchitects.com

T: 020
E:

Site
77 EATON TERRACE
LONDON SW1W 8TN
Client
MR & MRS FINNON

Drawing Title
**PROPOSED
REAR WINDOW (W03) DETAILS**

Scale
1:5 @ A1

Drawing No.
464 - IWA - P - W - 03

Revision
A