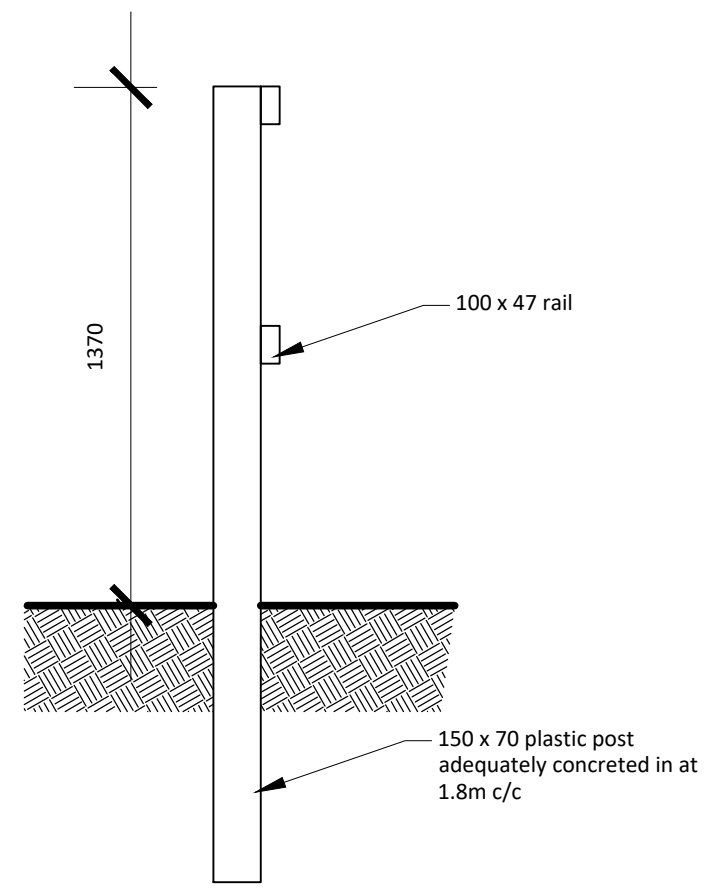
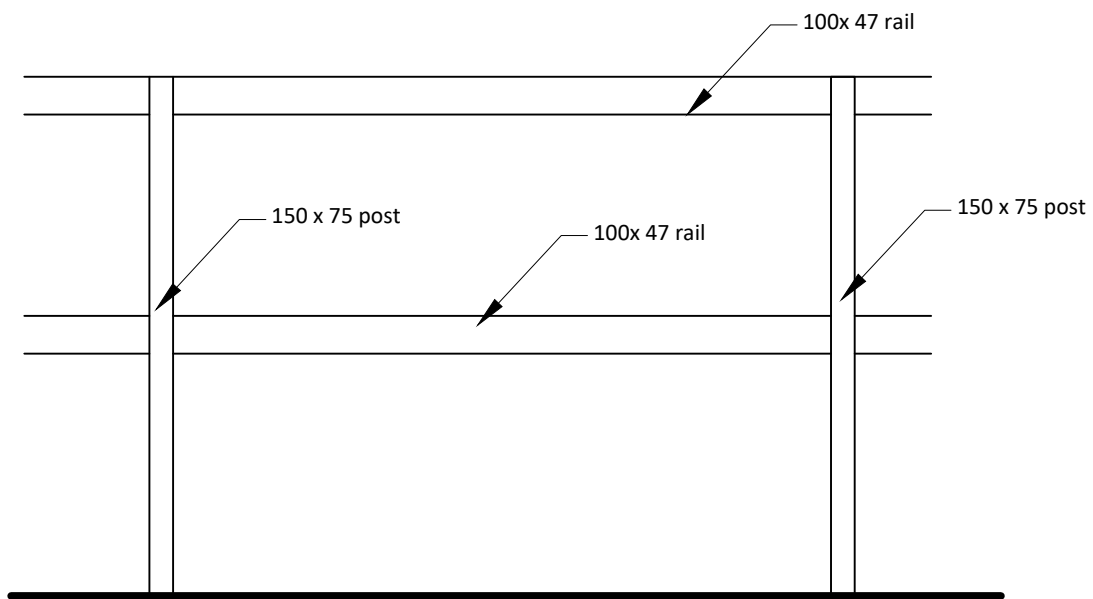


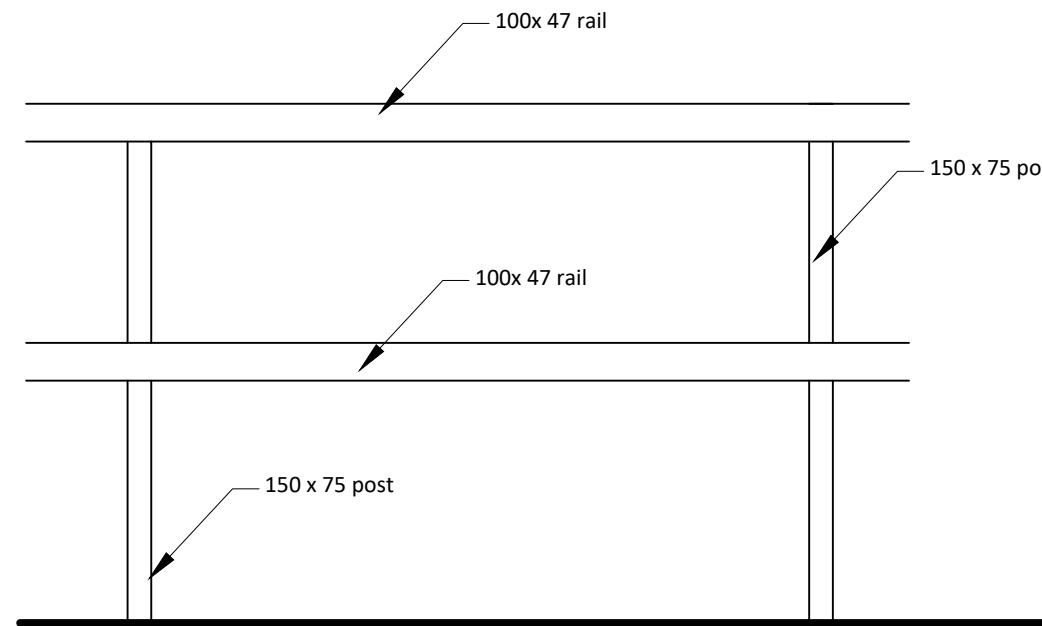
Edge detail
1:20



Post and rail fence detail
1:20



Post and rail fence external elevation
1:20



Post and rail fence internal elevation
1:20



2 The Parade, Ash Road, Hartley Longfield, Kent DA3 8BG

Tel: 01474 703705
www.grahamsimpkinplanning.co.uk
Email: webmail@grahamsimpkinplanning.co.uk

Project Title Broomsleigh Park, Styants Park, Styants Bottom Road, Seal, Kent TN15 0ES		Job No 3909
Drawing Title Proposed outdoor arena fencing	Drawing No 04	Revision -
Date 28.11.2023	Drawn by MS	Checked by PN

Scale
1:20@ A3

Note

