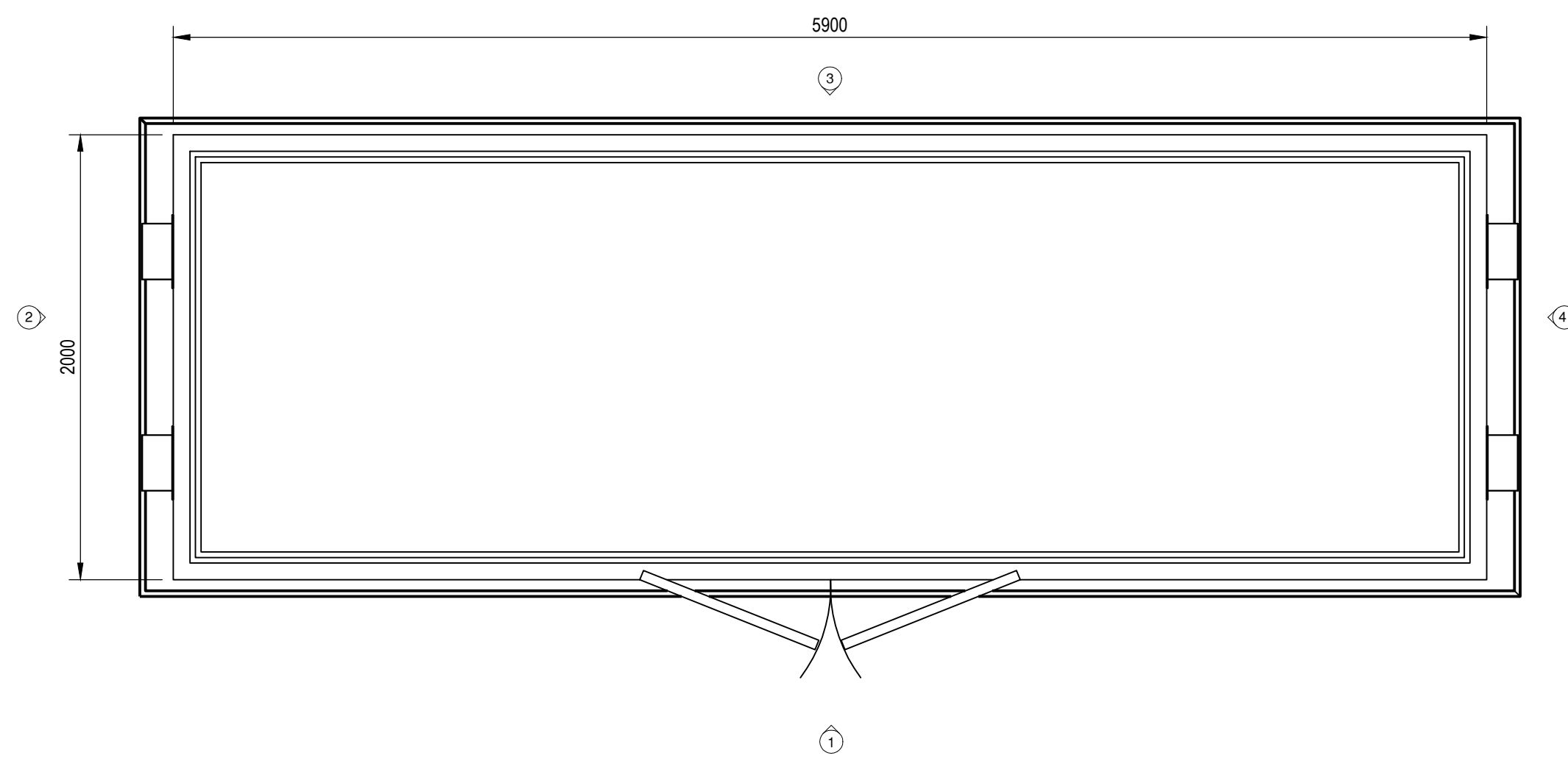
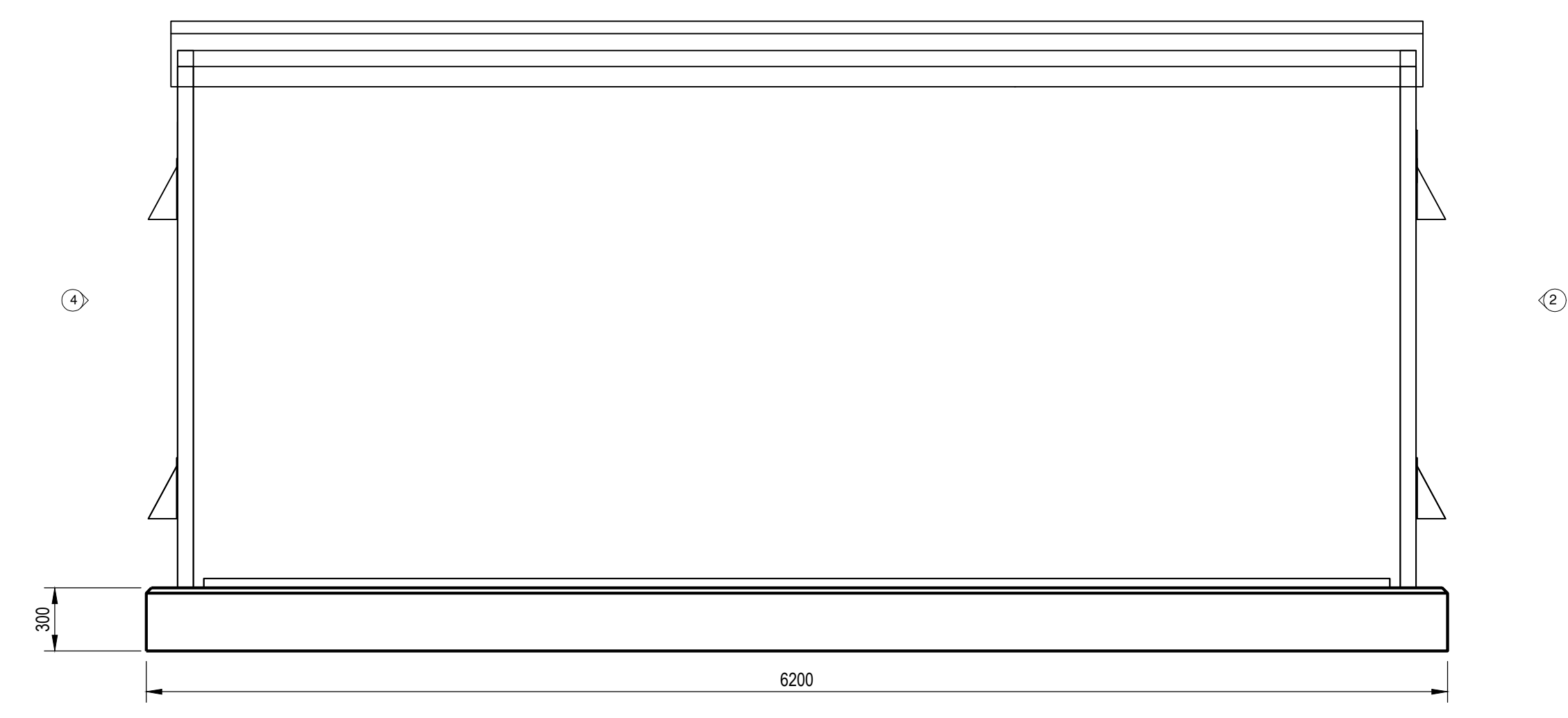


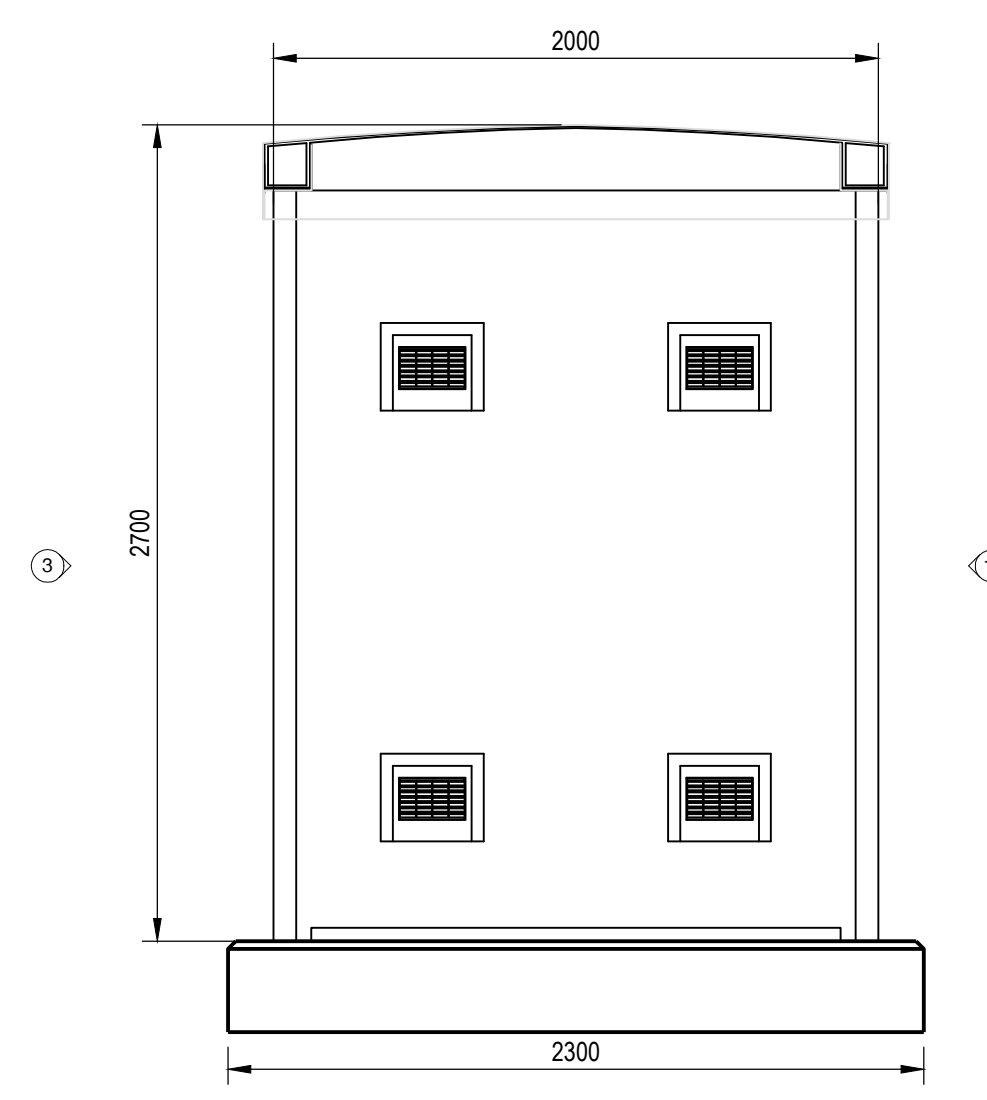
NOTES:
1. ALL DIMENSIONS IN MILLIMETRES AND ALL LEVELS IN METRES AOD, UNLESS NOTED OTHERWISE.



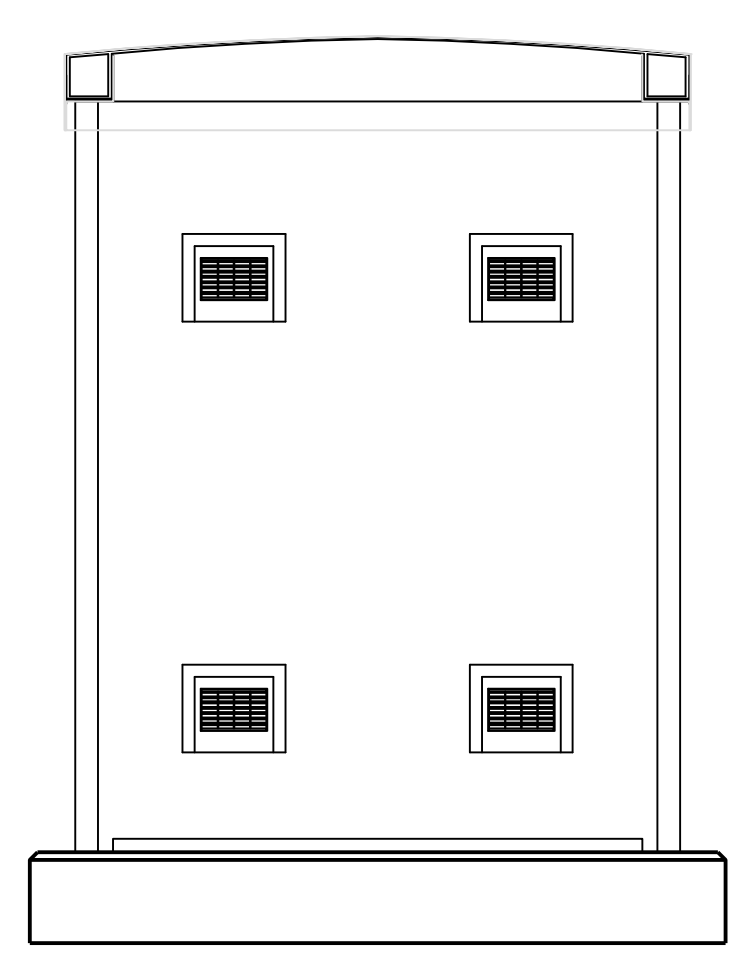
PLAN VIEW
SCALE 1:25



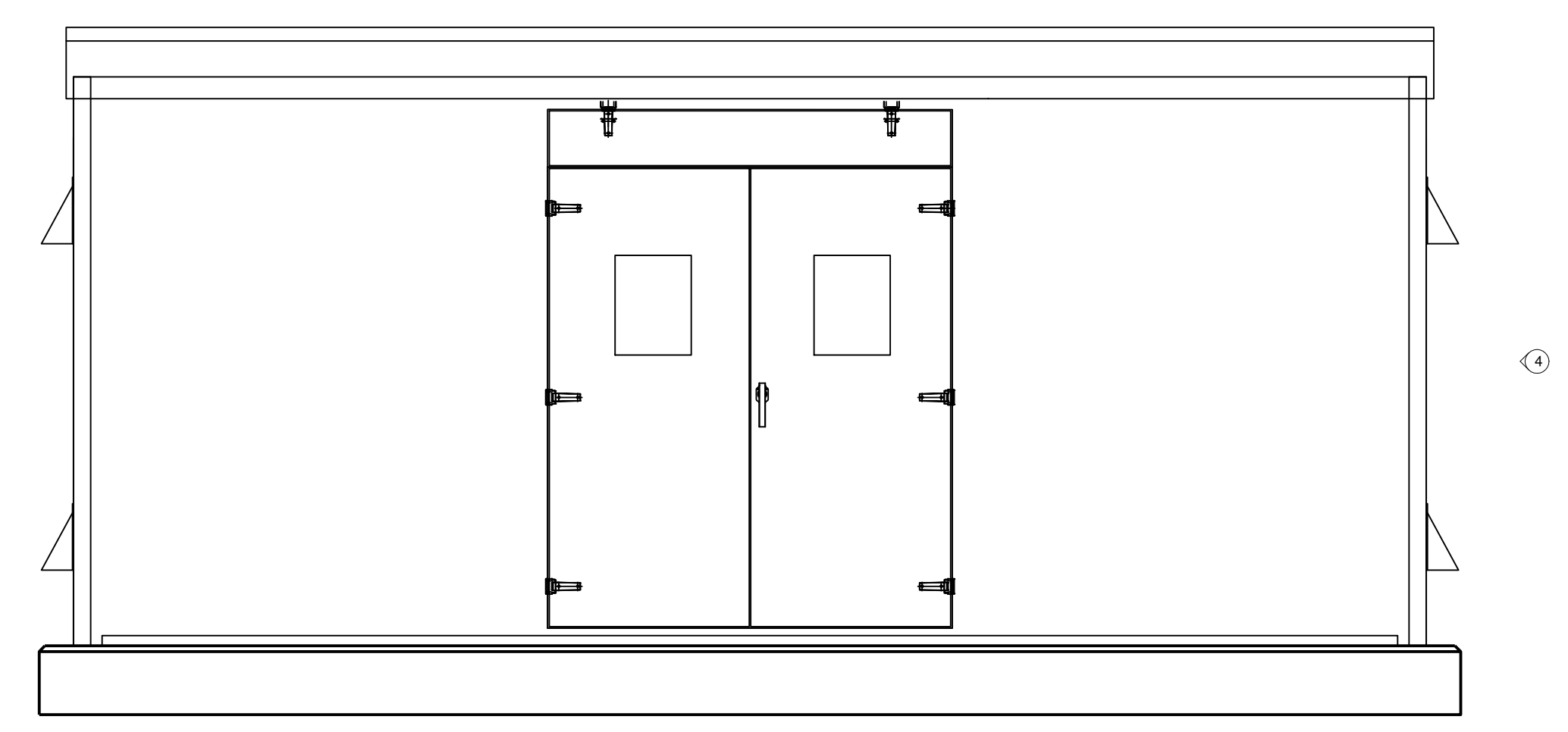
WALL 3 ELEVATION
SCALE 1:25



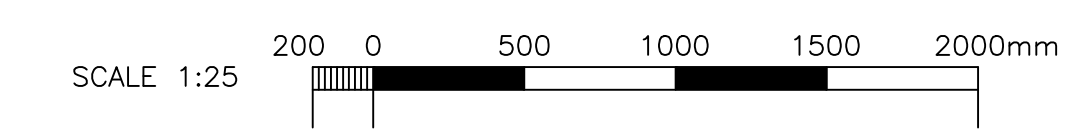
WALL 2 ELEVATION
SCALE 1:25



WALL 4 ELEVATION
SCALE 1:25



WALL 1 ELEVATION
SCALE 1:25



**SCOTTISH WATER
HEALTH AND SAFETY INFORMATION**

IN ADDITION TO THE HAZARDS NORMALLY ASSOCIATED WITH THE TYPES OF WORK DETAILED ON THIS DRAWING, PLEASE NOTE THE FOLLOWING:

CONSTRUCTION PHASE

RESIDUAL RISK THAT COULD NOT BE OBVIOUS TO A 'COMPETENT CONTRACTOR'	ACTION REQUIRED TO CONTROL THE RESIDUAL RISK
---	--

SW OPs ACCESS - HORI, VERT, PEDESTRIAN, VEHICLE/PLANT

POINTS REQUIRING ACCESS:	METHOD OF ACCESS:
--------------------------	-------------------

SW OPs HANDLING/LIFTING STRATEGY

ITEMS REQUIRING HANDLING:	METHOD OF HANDLING:
---------------------------	---------------------

IT IS ASSUMED THAT ALL WORKS WILL BE CARRIED OUT BY A COMPETENT PERSON WORKING, WHERE APPROPRIATE, TO AN APPROVED SAFE SYSTEM OF WORK

P01	For Information	DZ	SJF	SJF	RW	01/11/23
Rev	Description	Drawn	Chk'd	Rev'd	App'd	Date

This drawing is the property of Scottish Water and must not be copied or used for any purpose other than that for which it is supplied without the written consent of Scottish Water.
Copyright © Scottish Water.

Scottish Water
Trusted to serve Scotland

SCOTTISH WATER
THE BRIDGE
6 BUCHANAN GATE,
GLASGOW, G3 6FB
TEL: 0800 0778778

CALEDONIA WATER ALLIANCE
1st FLOOR, BUCHANAN TOWER,
BUCHANAN BUSINESS PARK,
CUMBERNAULD ROAD,
STEPPS,
GLASGOW, G33 6HZ
TEL: 0141 212 6610

Scale:	Status:	Suitability:
	S2	Suitable for information

Project Title
Plan to Cowie Pipeline

Drawing Title
**Planning Application
MCC Kiosk General Arrangement**

Ellipse Equipment No.	Autocode No.	520685
Drawing No.	5206850000-CWA-XX-XX-DR-C-750001	REV. P01