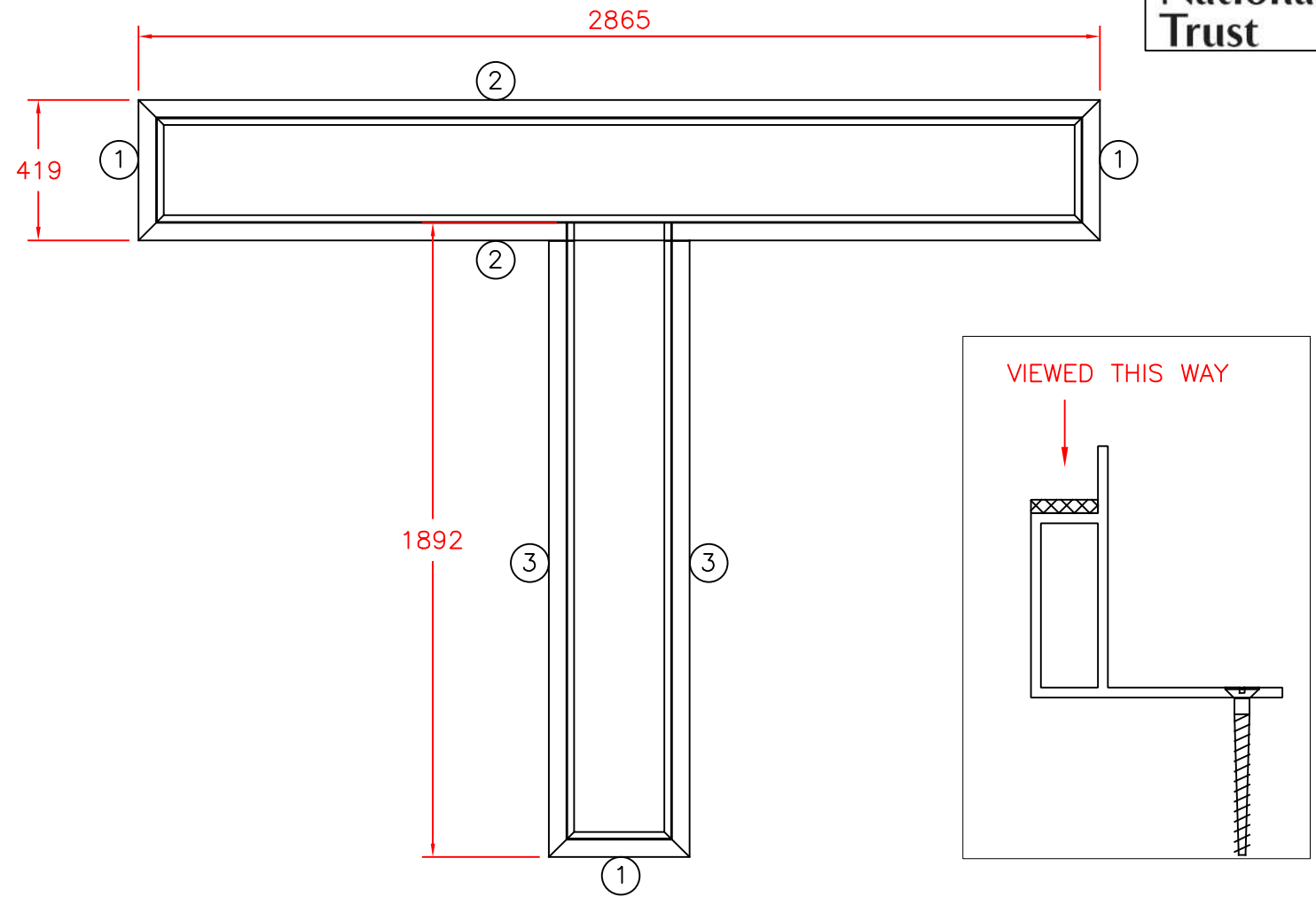
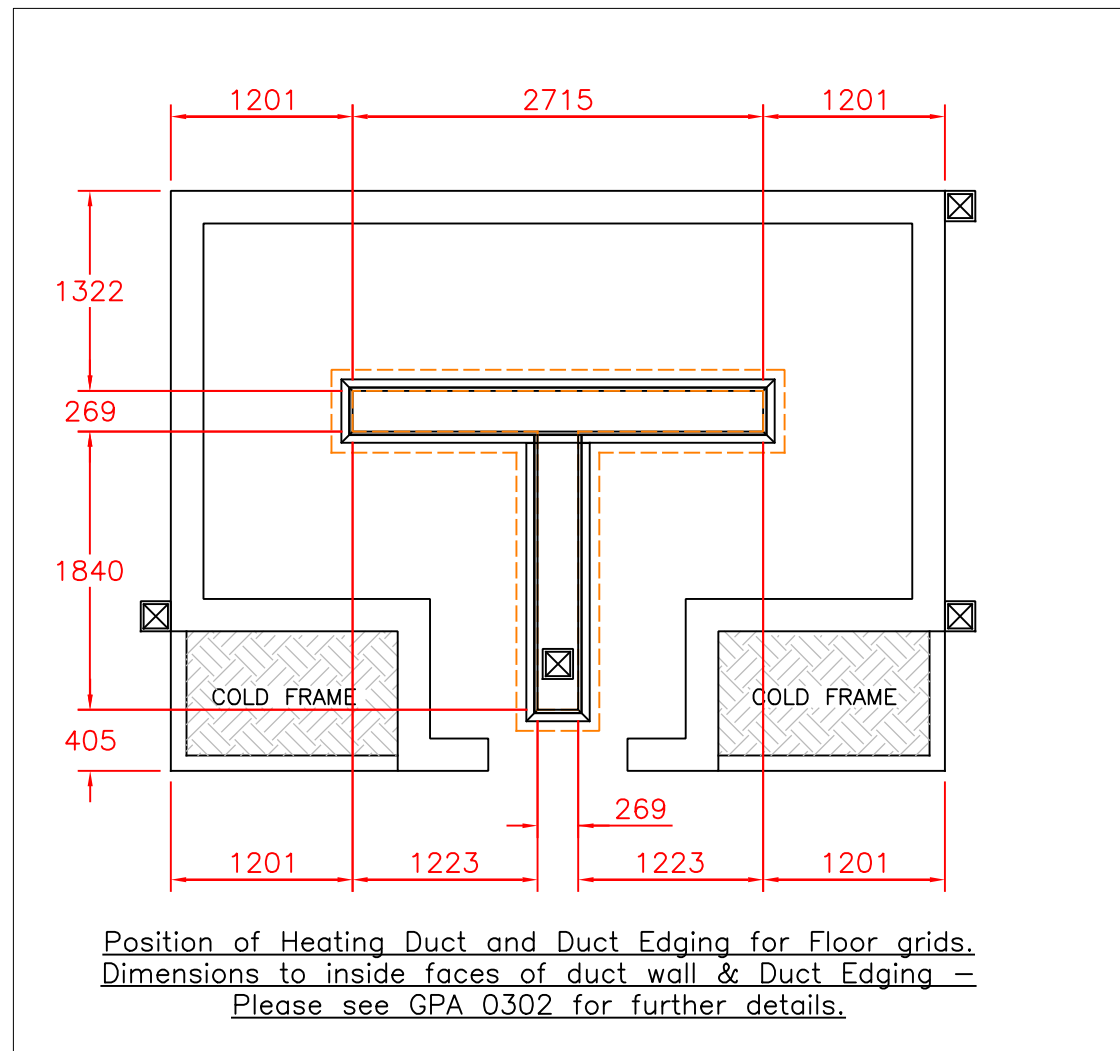


ALITEX ARE NOT LIABLE FOR THE MAKE UP OR STRUCTURAL INTEGRITY OF THE CONNECTING WALLS FOR THE GLASSHOUSE STRUCTURE.



# GROUND PLAN

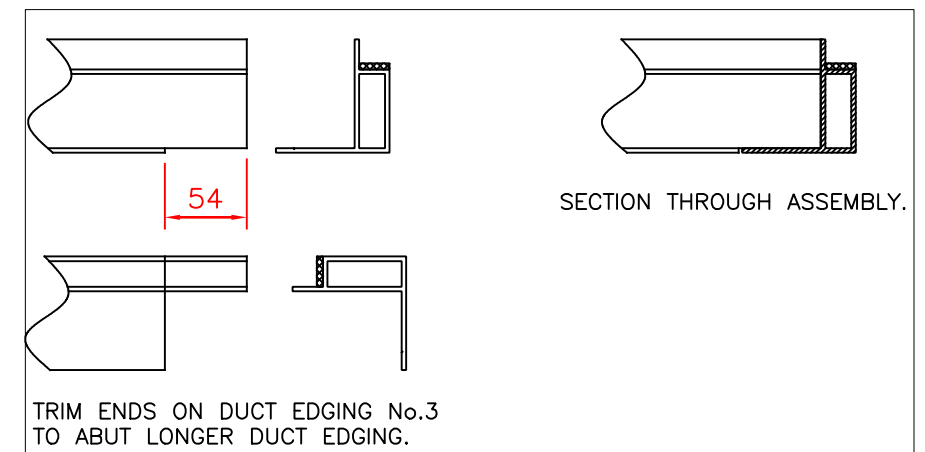
ISSUED FOR BUILDING & DESIGN,  
SPECIFICATION HAS BEEN CONFIRMED



Duct edging parts to be supplied by  
Alitex & fitted by builder.

No.	Qty.	Cut	Pack
1	3 off		
2	2 off		
3	1 PR		

Floor Grids sizes & Qtys:  
914 long x 305 wide x 15 thick - 5 off.



 ALITEX™ GREENHOUSES AND CONSERVATORIES		TITLE		
		NATIONAL TRUST GREENHOUSES THE TATTON WITH COLD FRAMES & REVERSED VENTS. (NT-TX-TATT-SX-R-D-C-V-WS)		
DRAWN	DATE	SCALE	DWG NO.	REV
LC	07.08.23	1:50 @ A3	NT/MOR033519_GP. Sheet 3of3	-
CHECKED	CHECKED	CUSTOMER / ORDER No.		
FM 22.08.23	CHB	Mrs Morony, Berry Cottage,		33519