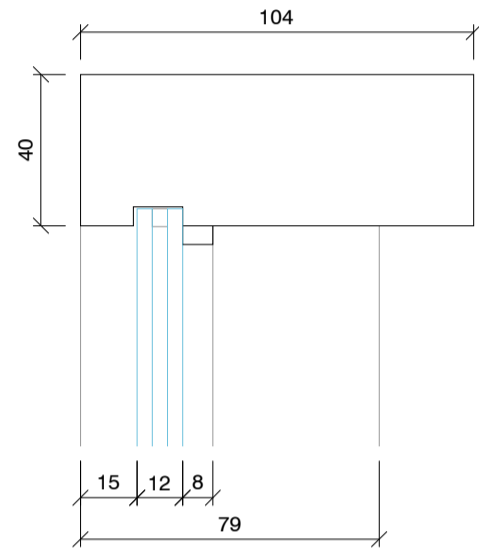
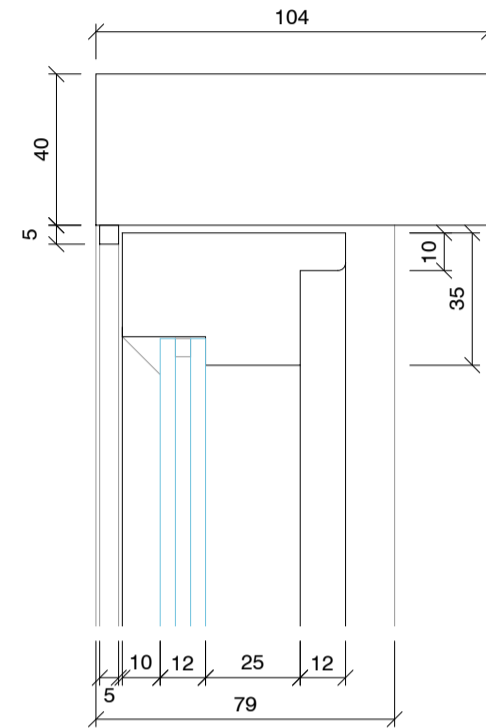


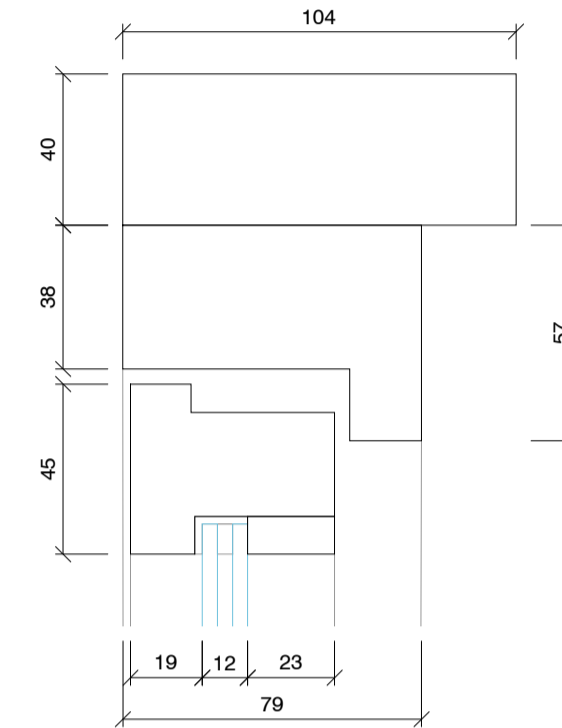
NOTES:  
 Dimensions to be checked on site before commencing work. any discrepancies shall be reported to Curtis Leeves Technical Ltd. immediately.  
 Do not scale from these drawings except for planning purposes. Use figured dimensions only.  
 Where applicable this drawing is to be read in conjunction with other consultants' drawings.  
 This drawing is the copyright of Curtis Leeves Technical Ltd. and may not be copied, altered or reproduced in any way, or passed to a third party, without written authority.



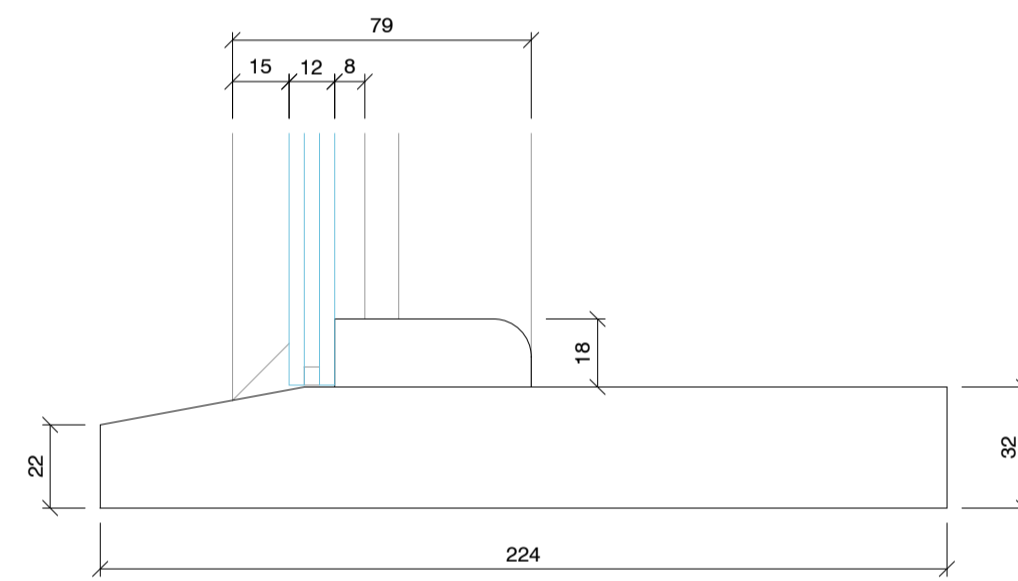
Proposed Top Room Window Head Fixed Glazing - Scale 1:2



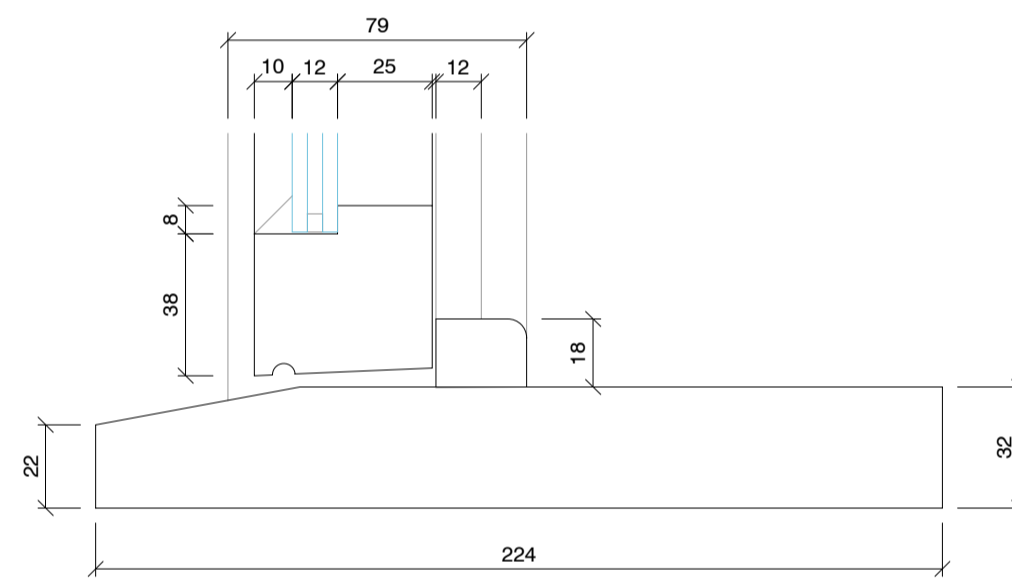
Proposed Top Room Window Head Centre Pivot Casement - Scale 1:2



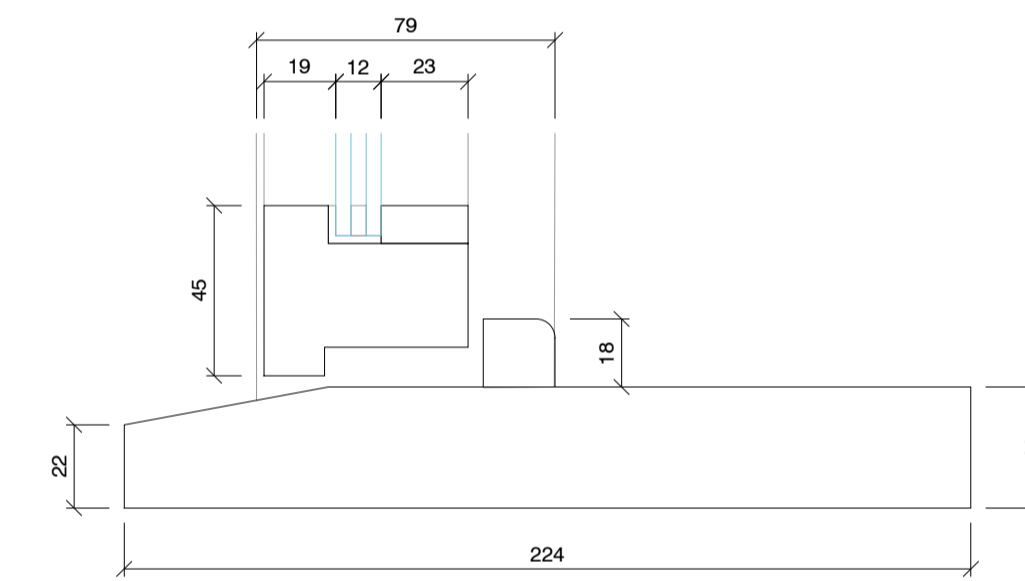
Proposed Top Room Window Head Flush Casement - Scale 1:2



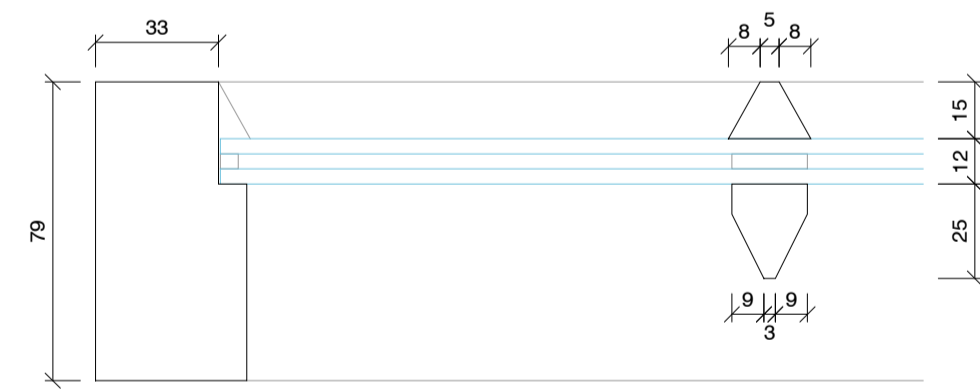
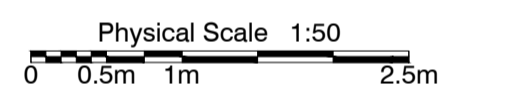
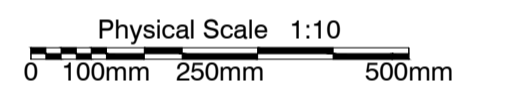
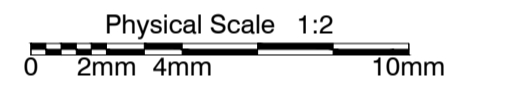
Proposed Top Room Window Cill Fixed Glazing - Scale 1:2



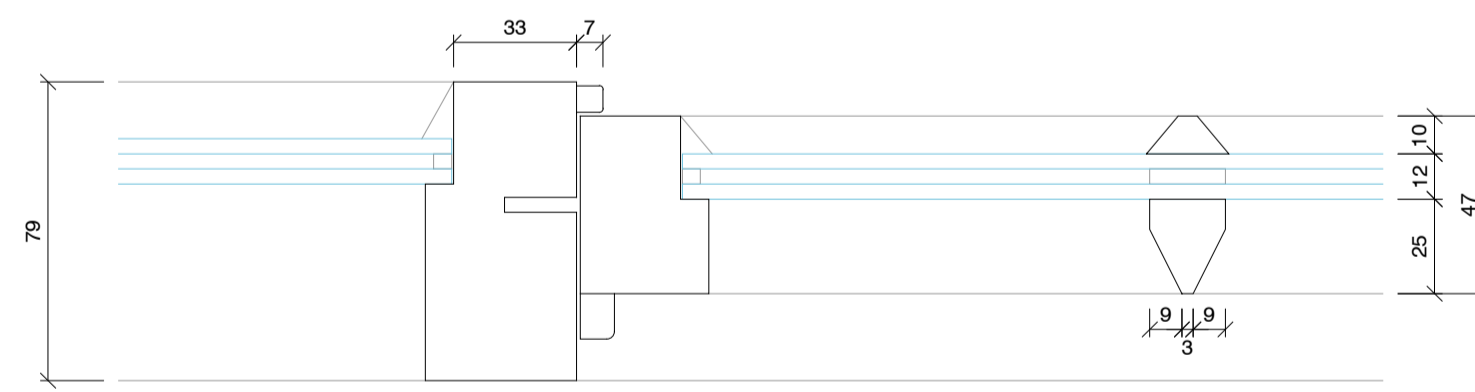
Proposed Top Room Window Cill Centre Pivot Casement - Scale 1:2



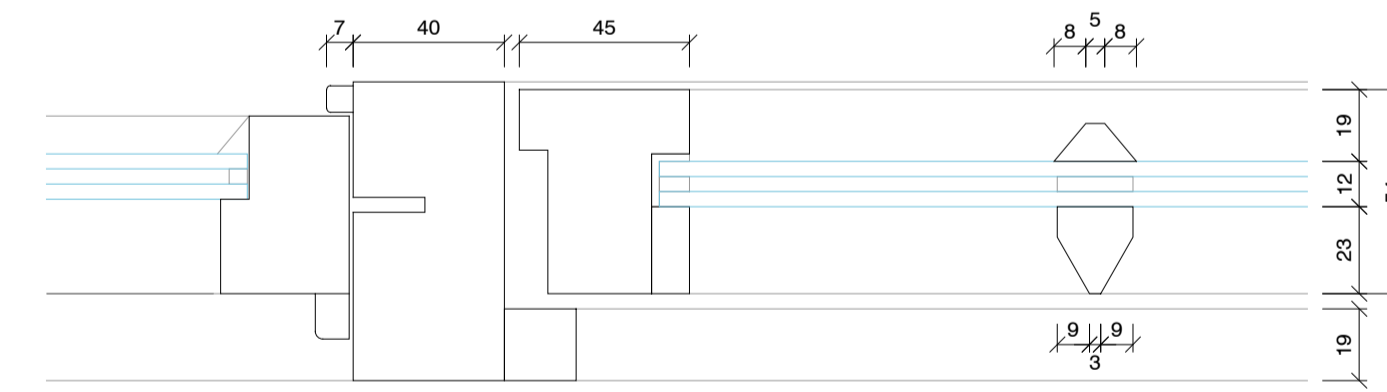
Proposed Top Room Window Cill Flush Casement - Scale 1:2



Proposed Top Room Window Jamb Fixed Glazing - Scale 1:2



Proposed Top Room Window Jamb Centre Pivot Casement - Scale 1:2



Proposed Top Room Window Jamb Flush Casement - Scale 1:2

rev	description	date
status	<b>PLANNING</b>	



CURTIS LEEVES TECHNICAL LTD  
 01243 378070 | mail@cltechnical.co.uk

client  
 Ms. J de Heger  
 project  
 24 North Walls  
 Chichester  
 PO19 1BY

title  
 Top Room Window  
 Proposed Detail Sections

date	scale @ A1	drawn	chkd
Oct 2023	As Shown	MRL	GBC
project no.	drawing no.	rev	
2326	101		P1