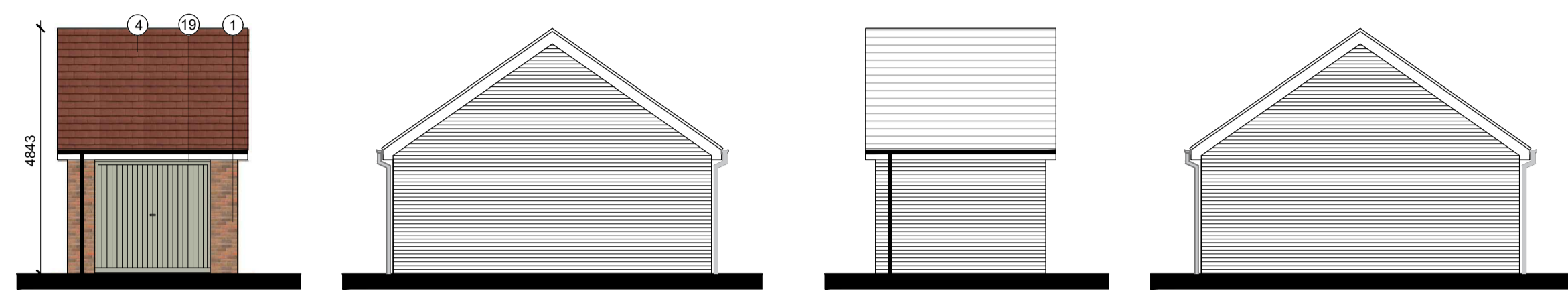
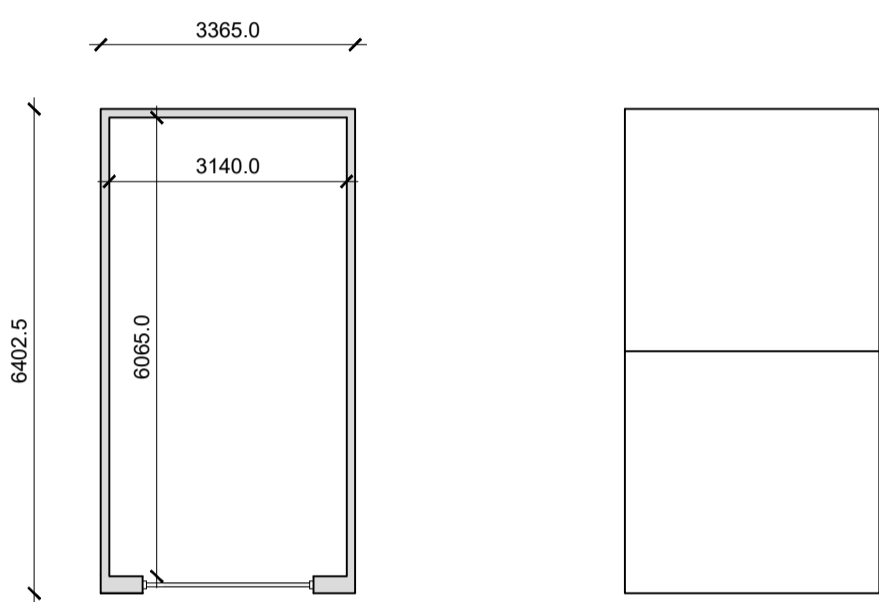


Materials Key:

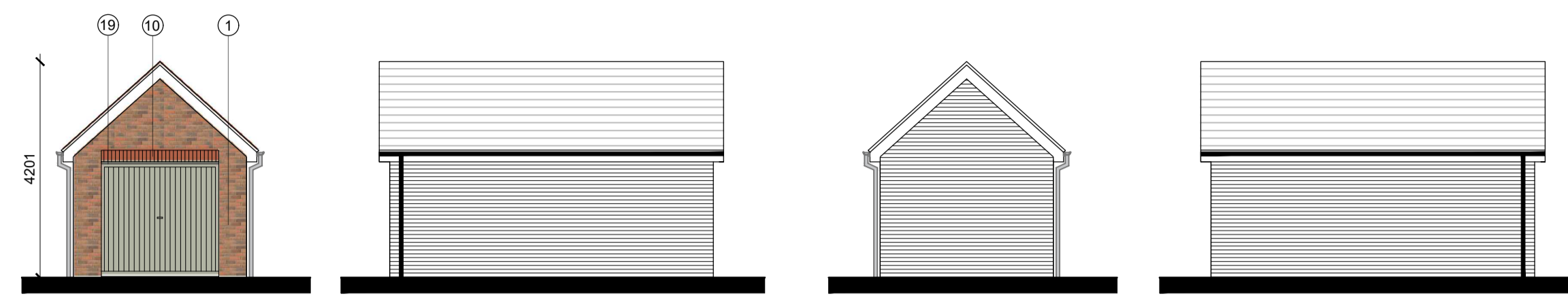
- 1 - Brick multi red - Light
- 2 - Brick multi red - Dark
- 3 - Detail Brick - Smooth face red brick
- 4 - Clay tile - Red
- 5 - Clay tile - Red
- 6 - Cedar boarding
- 7 - Door set - RAL 7032
- 8 - Window set UPVC - RAL 7032
- 9 - Windows set UPVC - white
- 10 - Brick soldier header
- 11 - Brick cill
- 12 - Stone cill
- 13 - Banding in detailing brick
- 14 - Hung clay tile bullnose detail
- 15 - GRP chimney
- 16 - Functional chimney
- 17 - Timber surround
- 18 - Gallows bracket
- 19 - Garage door - RAL 7032
- 20 - Timber post



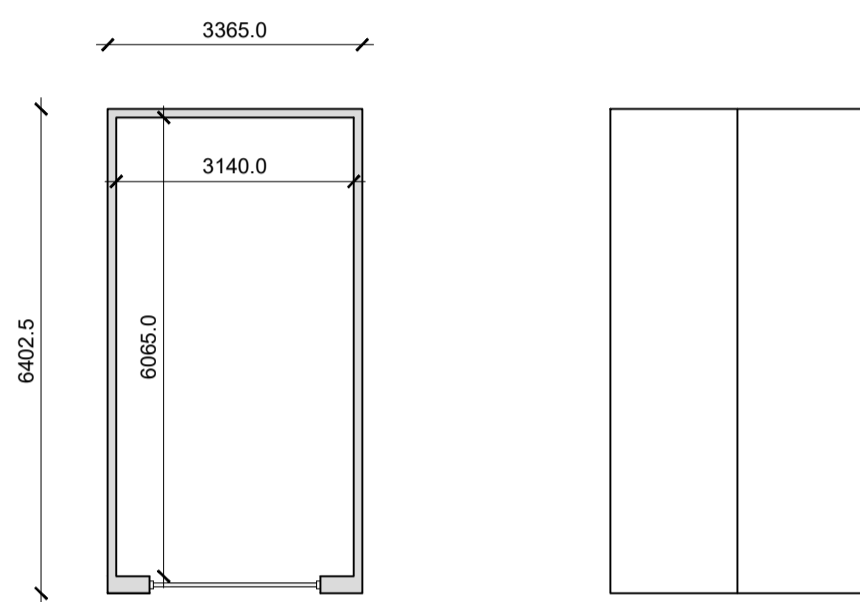
Front Elevation Plot 23 Side Elevation Rear Elevation Side Elevation



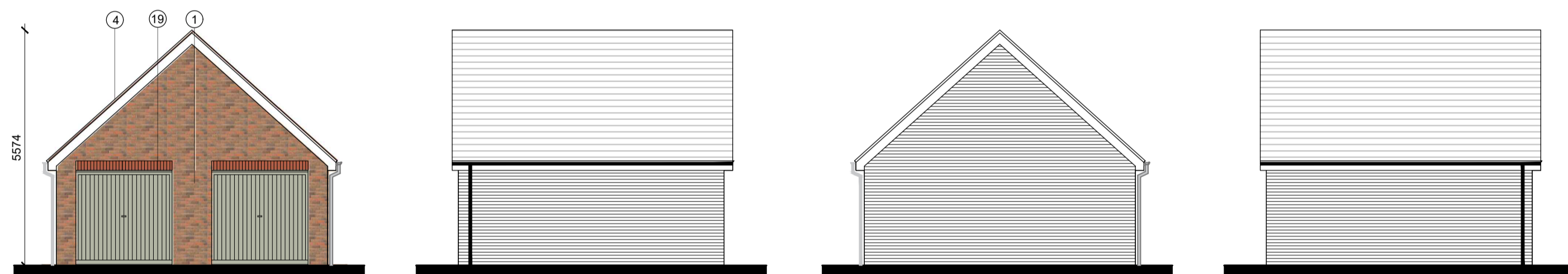
Ground Floor Plan Plot 23 - Garage - Single Roof Plan Plot 23 - Garage - Single



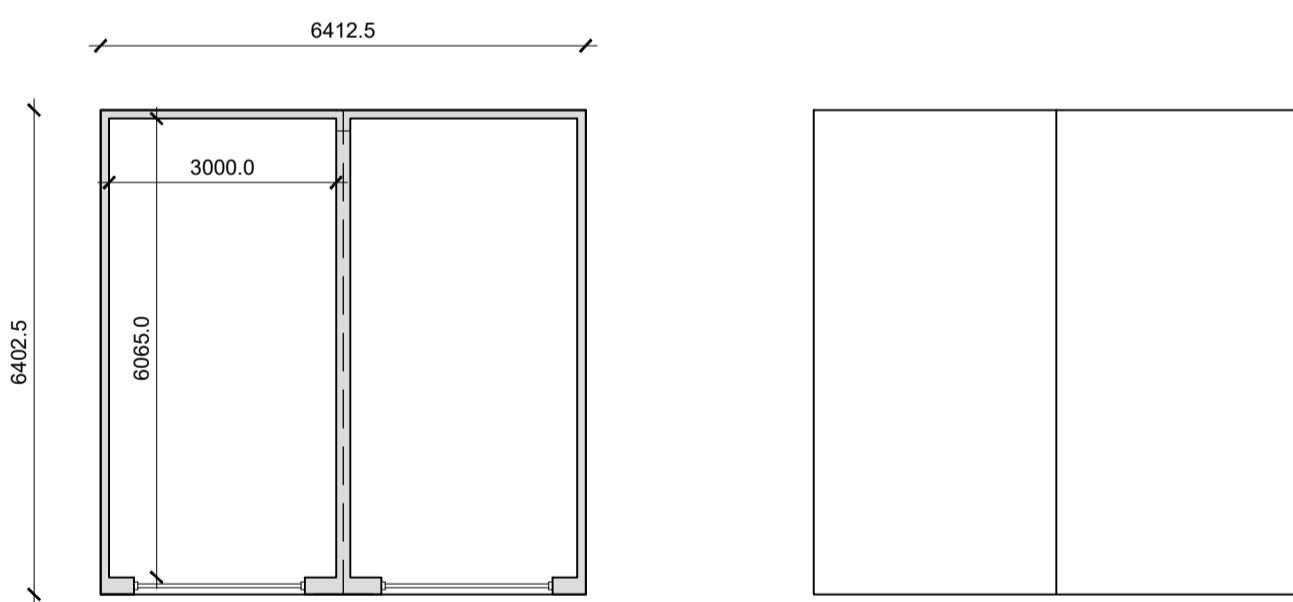
Front Elevation Plot 20 Side Elevation Rear Elevation Side Elevation



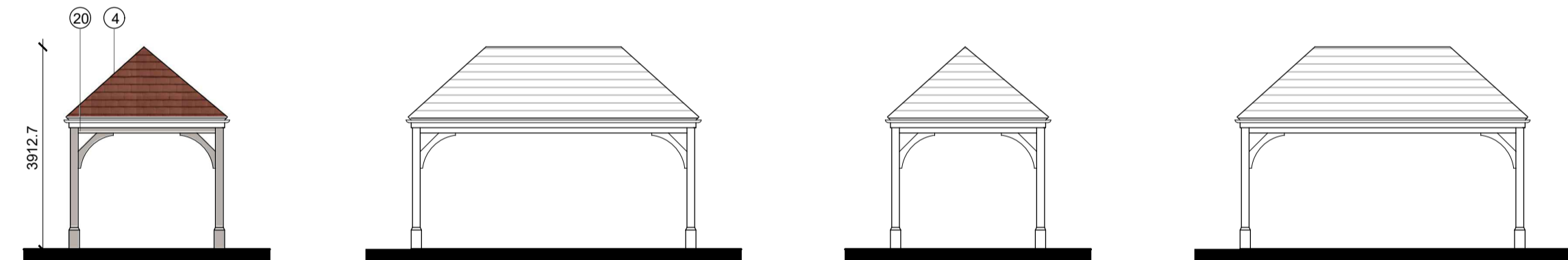
Ground Floor Plan Plot 20 - Garage - Single Roof Plan Plot 20 - Garage - Single



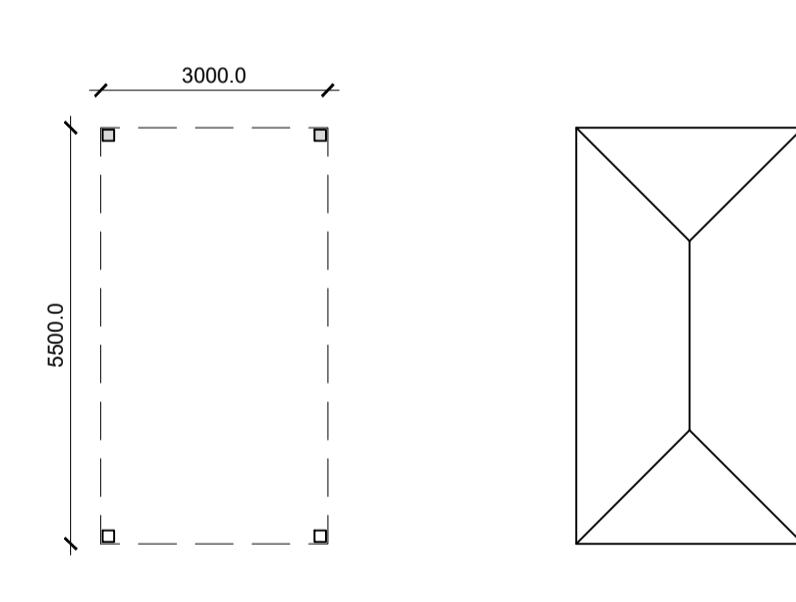
Front Elevation Plot 17, 18, 19 & 20 Side Elevation Rear Elevation Side Elevation



Ground Floor Plan Plots 17, 18, 19 & 20 - Garage - Double Roof Plan Plots 17, 18, 19 & 20 - Garage - Double



Front Elevation Plots 1 & 2 Side Elevation Rear Elevation Side Elevation



Ground Floor Plan Plots 1 & 2 - Car Barn - Single Roof Plan Plots 1 & 2 - Car Barn - Single

Rev	Date	Revision Details	Dr	Ch
D	27.11.23	Dimensions amended	LP	MP
C	17.11.23	Amended to ecologist comments	MP	AK
B	14.11.23	Amended to client comments	LP	MP
A	09.11.23	Amended to client comments	JR	MP

ECE Architecture

London: Unit 1 West Coate House 3 Coate Street London E2 9AG
 T 020 7729 5505 E london@ecearchitecture.com

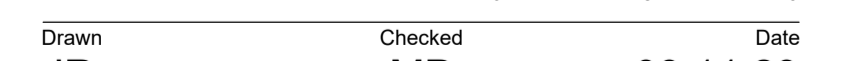
Sussex: Brooklyn Chambers 11 Goring Road Worthing West Sussex BN12 4AP
 T 01903 248777 E sussex@ecearchitecture.com
 www.ecearchitecture.com

Client's Name
Bourne Homes

Job Title
Steamside and Land Adjacent, Harpers Road, Ash

Drawing Title
Proposed Floor Plans and Elevations Garages & Car Barns

Scale
1:100 @ A1 / 1:200 @ A3



Drawn	Checked	Date
JR	MP	03.11.23

Job No	Drawing No	Rev
6502	PL-54	D

Status
APPROVAL