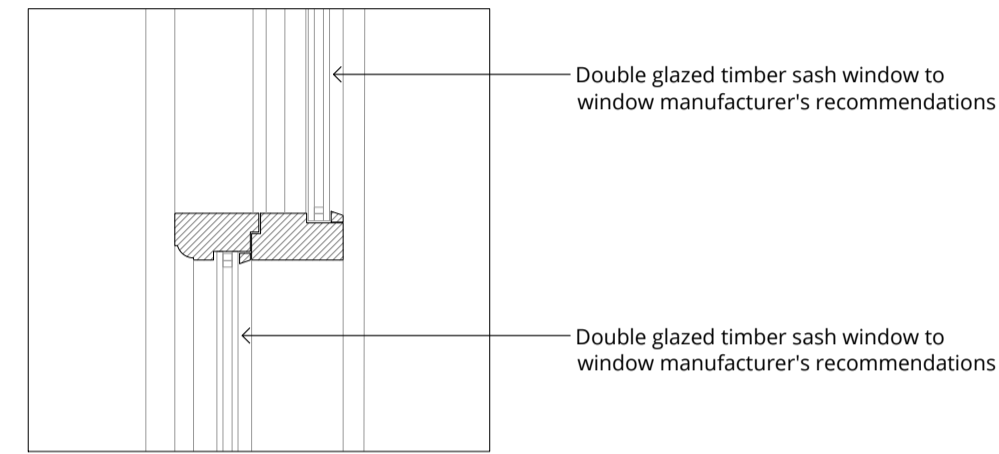
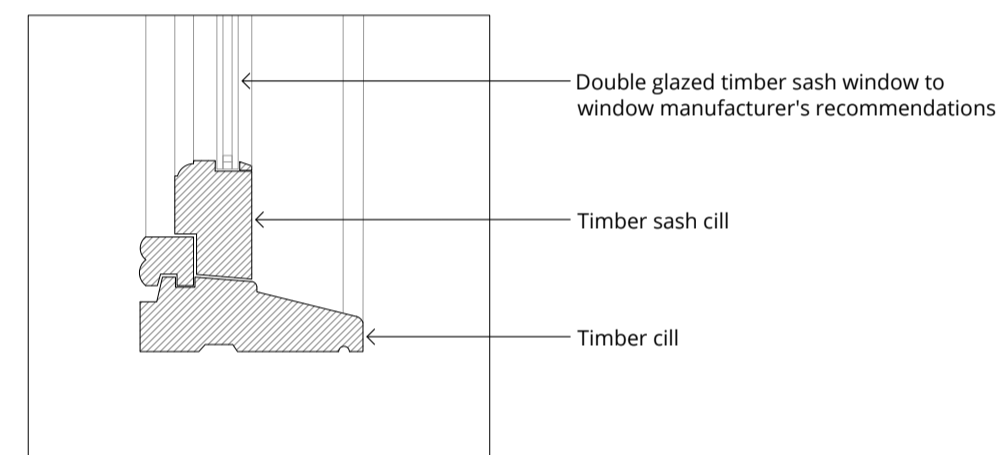


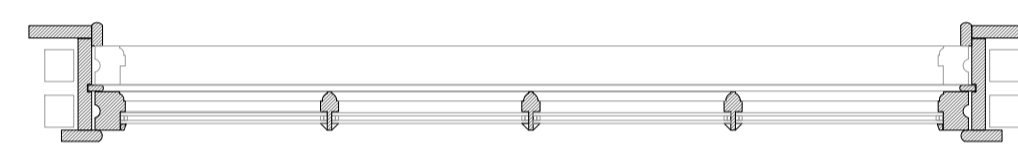
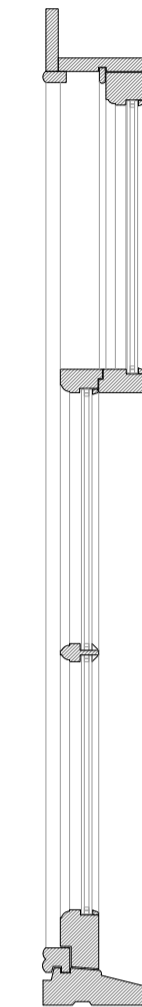
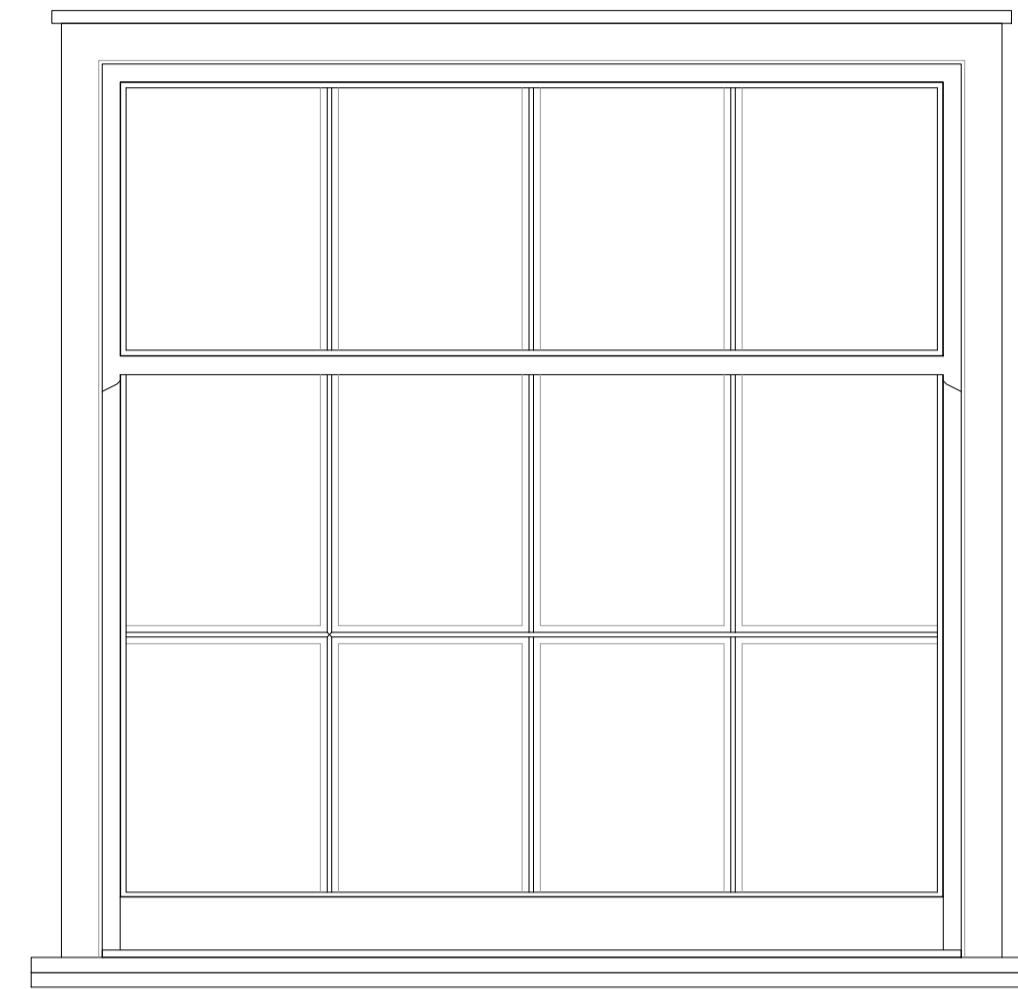
5F Head detail
1:5



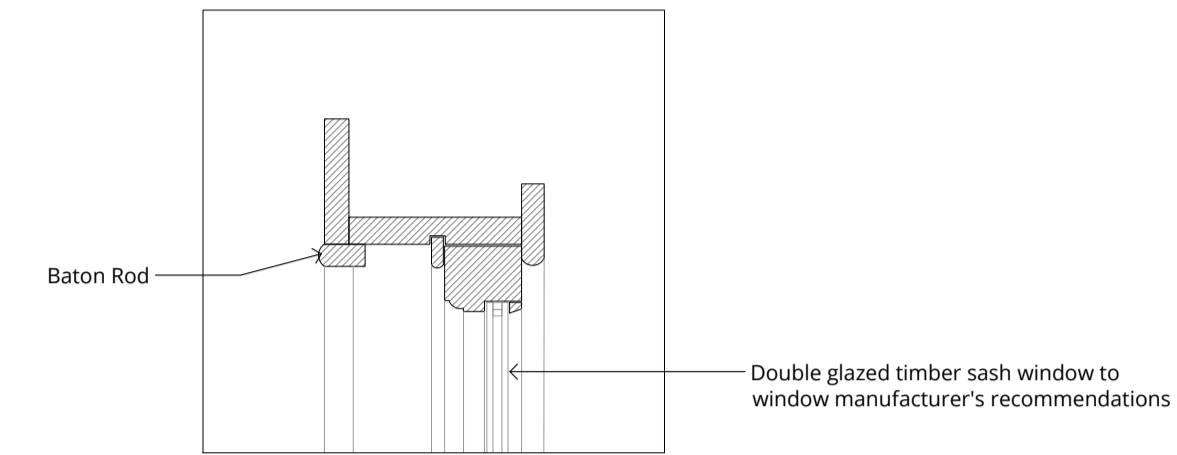
5E Transom detail
1:5



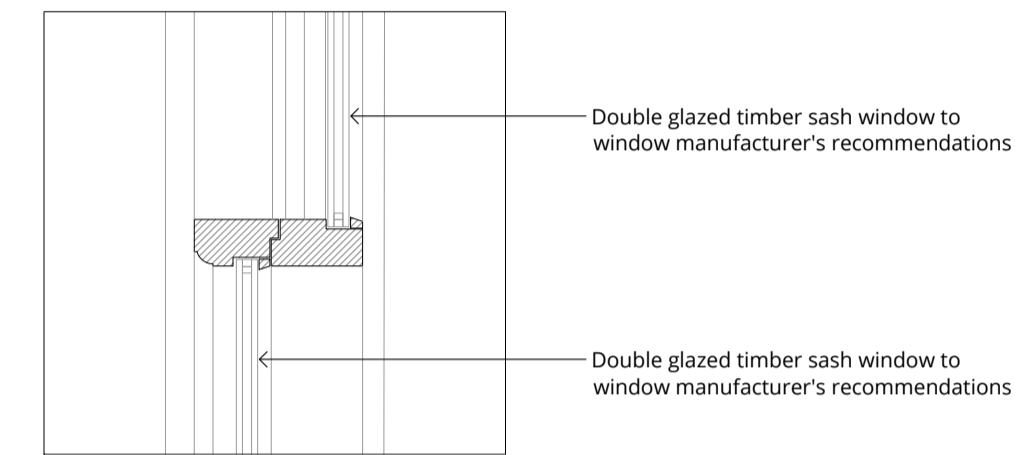
5D Cill detail
1:5



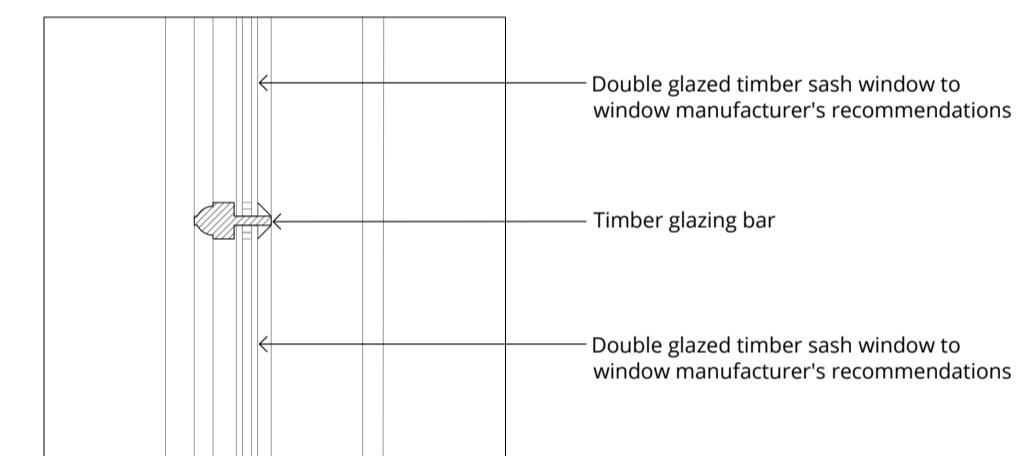
Proposed Sash Window - Window type 6
Scale 1:10



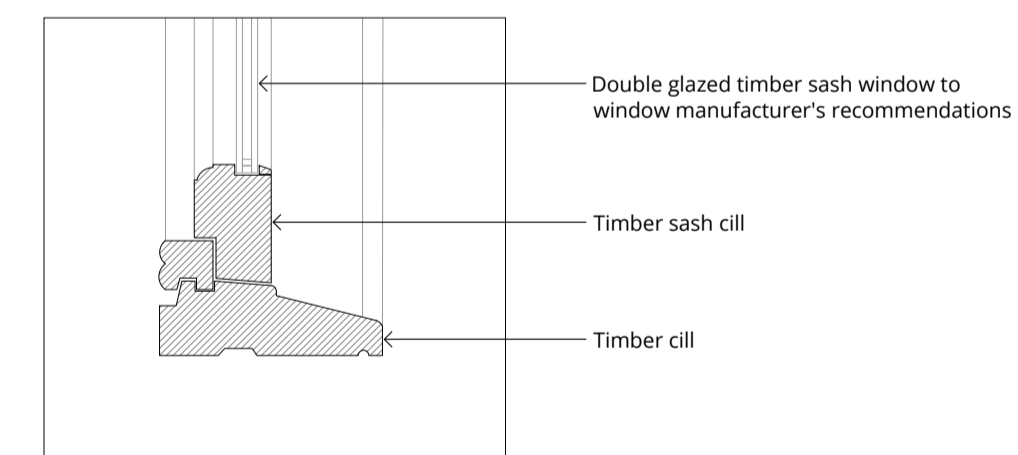
6G Head detail
1:5



6F Transom detail
1:5

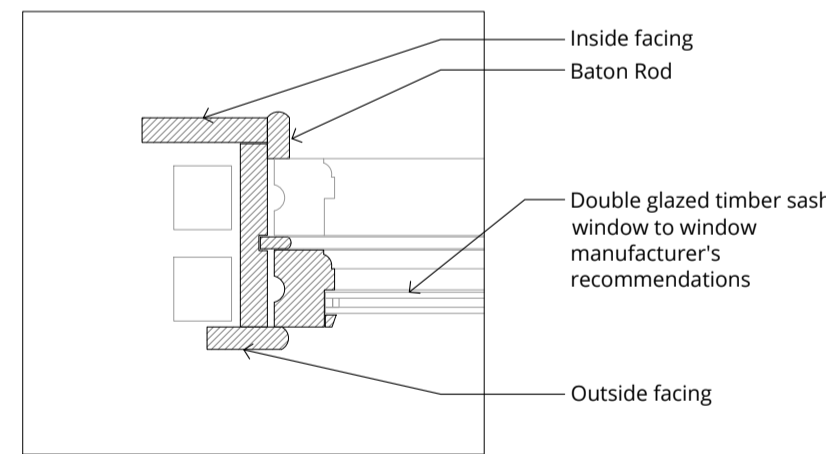


6E Glazing bar detail
1:5

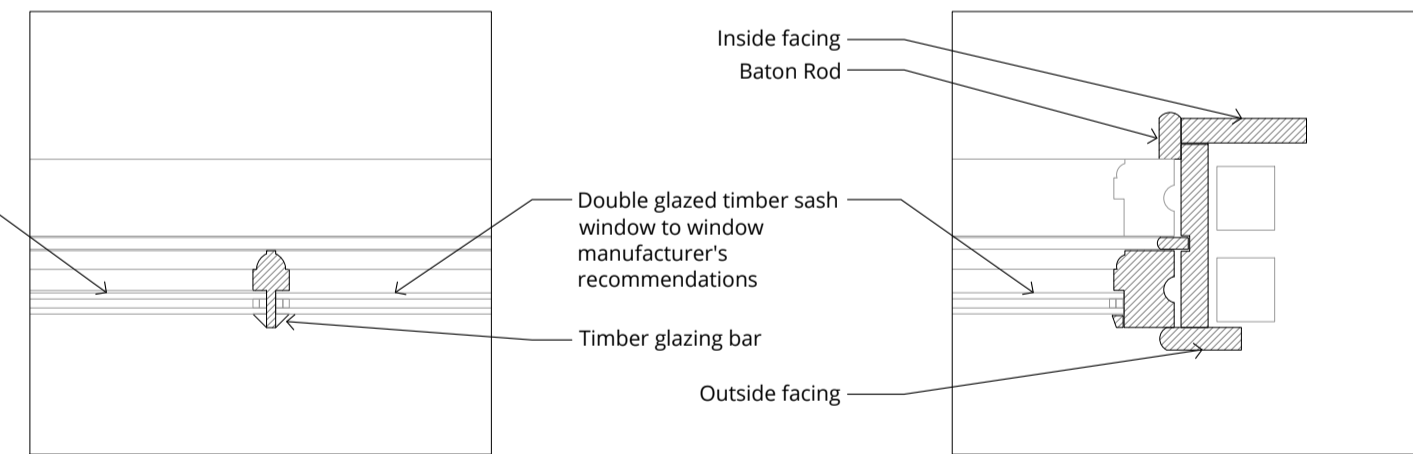


6D Cill detail
1:5

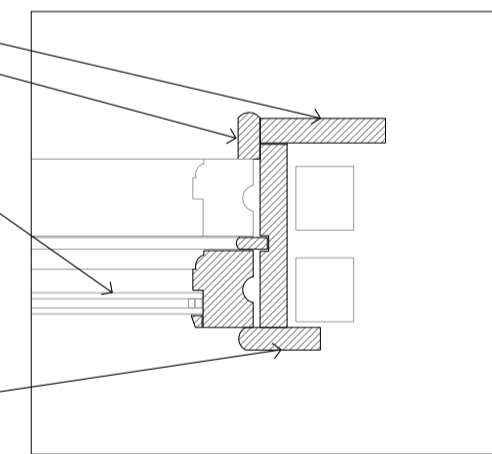
Proposed Sash Window - Window type 5
Scale 1:10



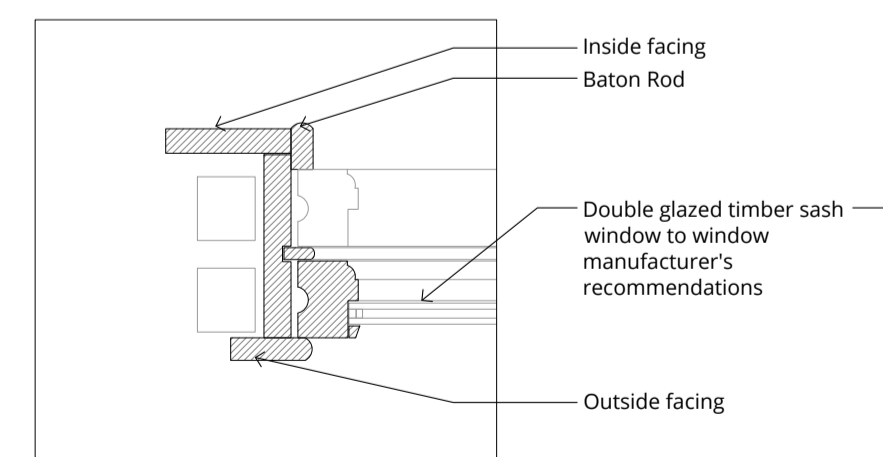
5A Jamb detail
1:5



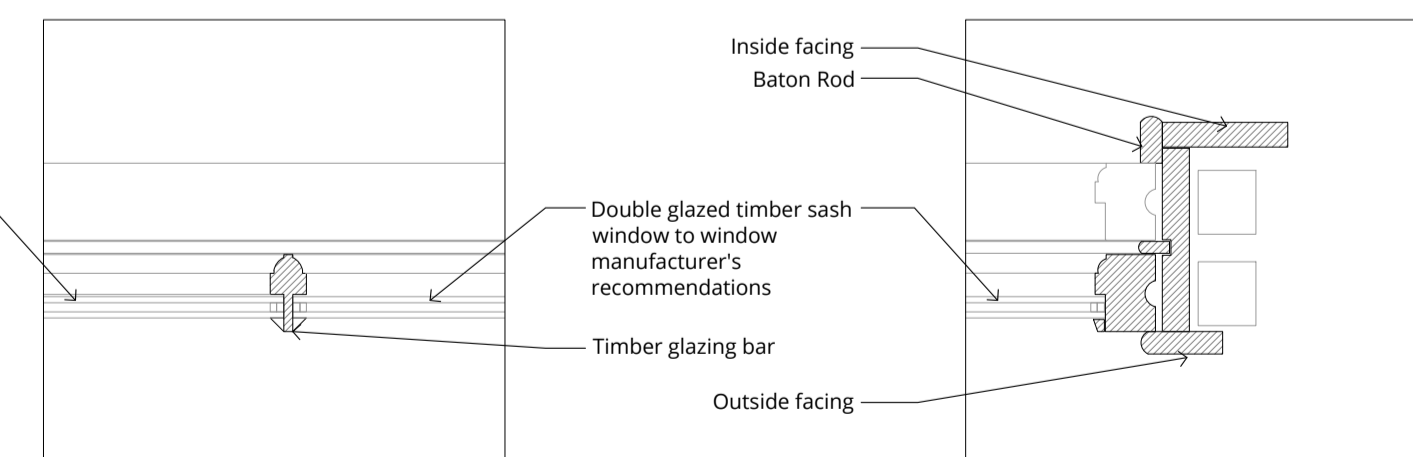
5B Glazing bar detail
1:5



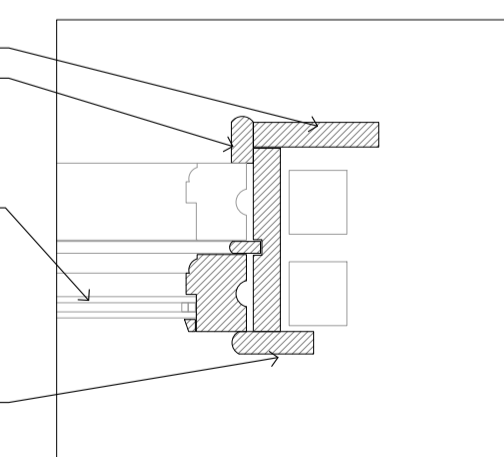
5C Jamb detail
1:5



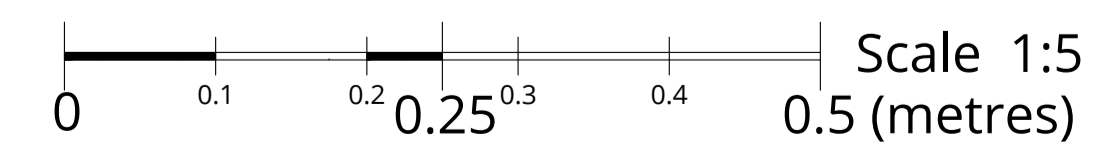
6A Jamb detail
1:5



6B Glazing bar detail
1:5



6C Jamb detail
1:5



Drawing Status:			
PLANNING			
Rev	Description	Date	By

Barker MAJESTY HOUSE, AVENUE WEST
SKYLINE 120, BRAINTREE
ESSEX, CM77 7AA
T: 01279 647111
W: www.barker-associates.co.uk
E: mail@barker-associates.co.uk

Client: **HARLOW COUNCIL**

Project Title:
**45 SUMNERS FARM CLOSE
HARLOW, ESSEX
CM19 5SL**

Drawing Title:
PROPOSED WINDOWS DETAILS

Drawn	Checked	Scale	Date
JM	-	1/20 @ A1	26/06/2023

ARCHITECTURAL

Drawing Number	Status	Revision	Project No
P23617-BA-A1-XX-DR-A-6002	S0	P01	P23-0617