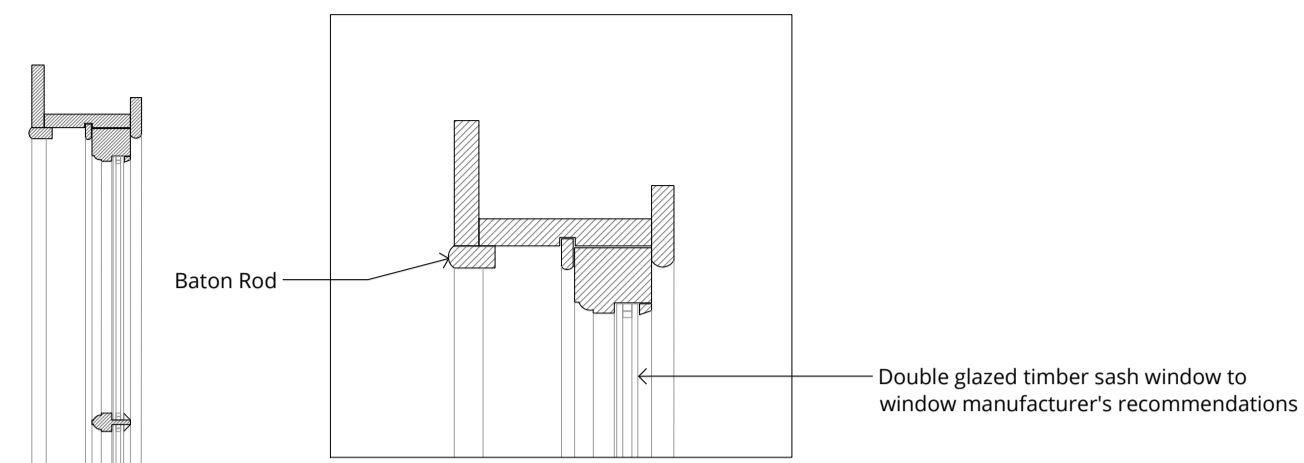
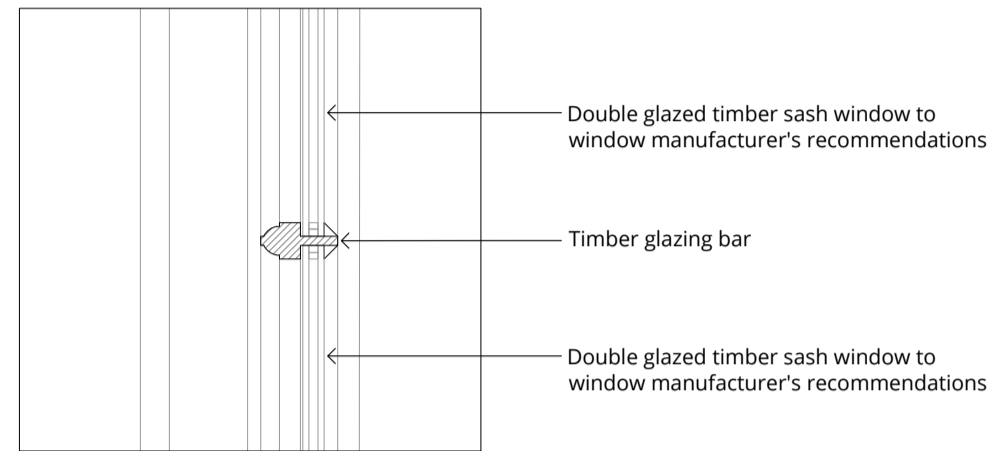


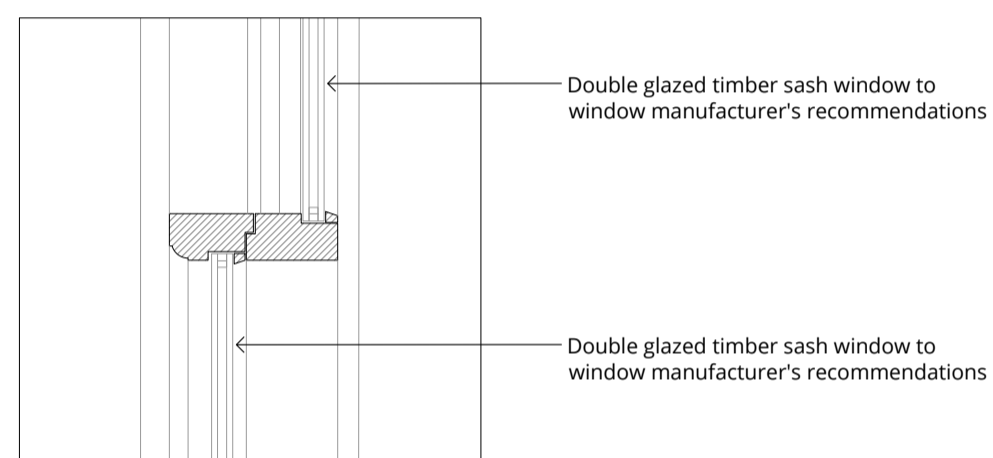
Proposed Sash Window - Window type 3  
Scale 1:10



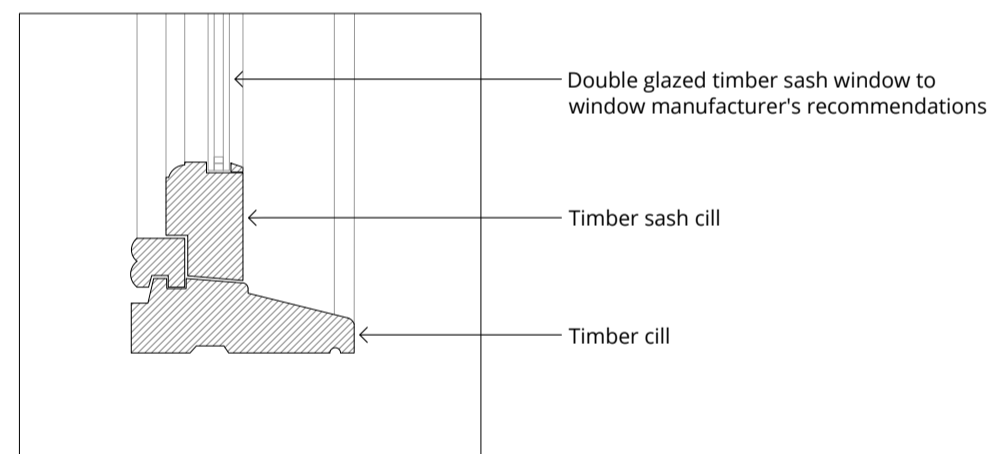
3G Head detail  
1:5



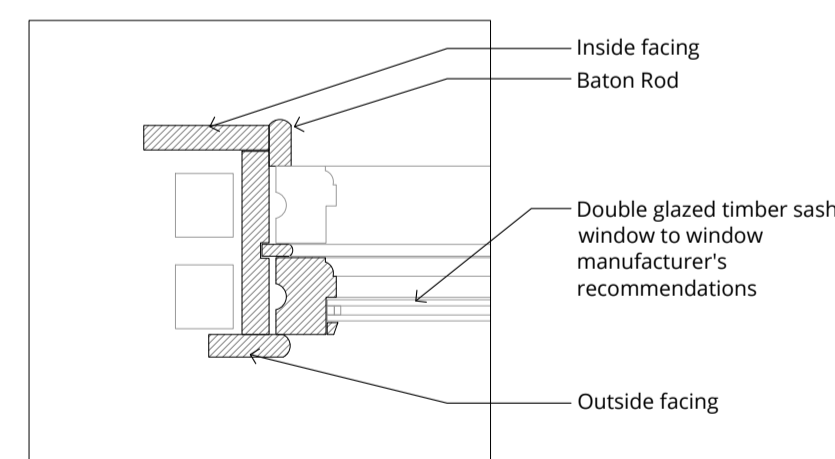
3F Glazing bar detail  
1:5



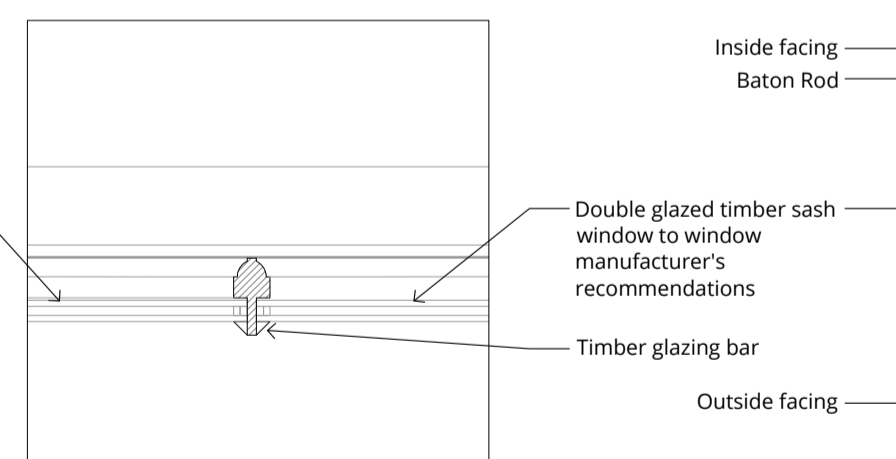
3E Transom detail  
1:5



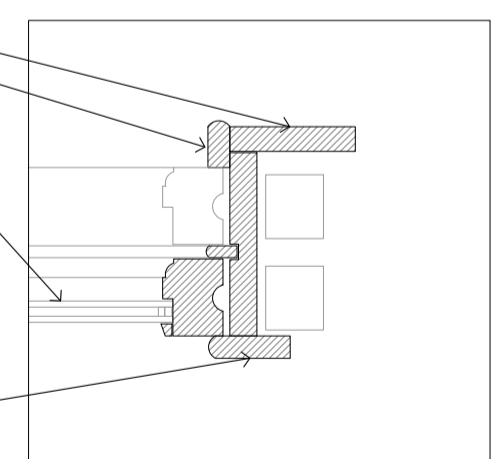
3D Cill detail  
1:5



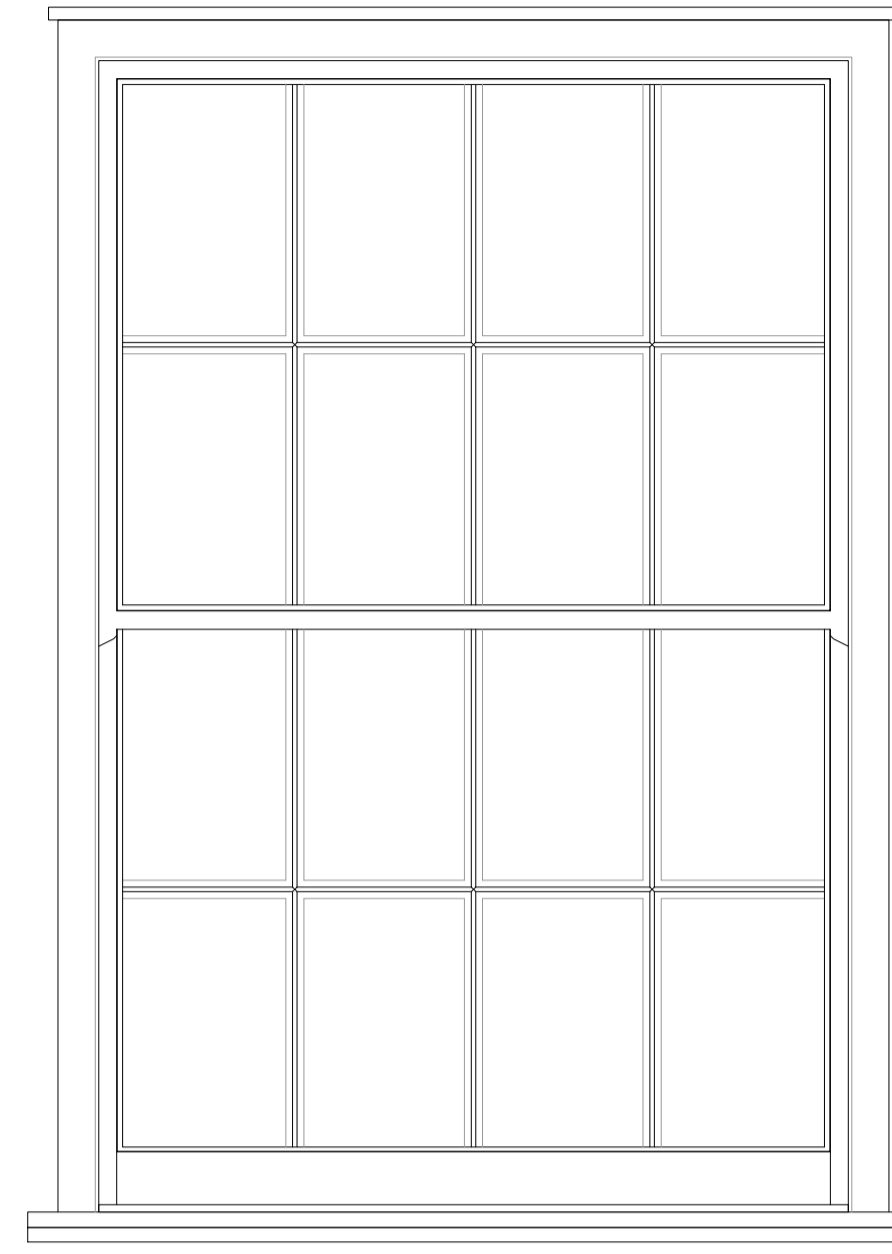
3A Jamb detail  
1:5



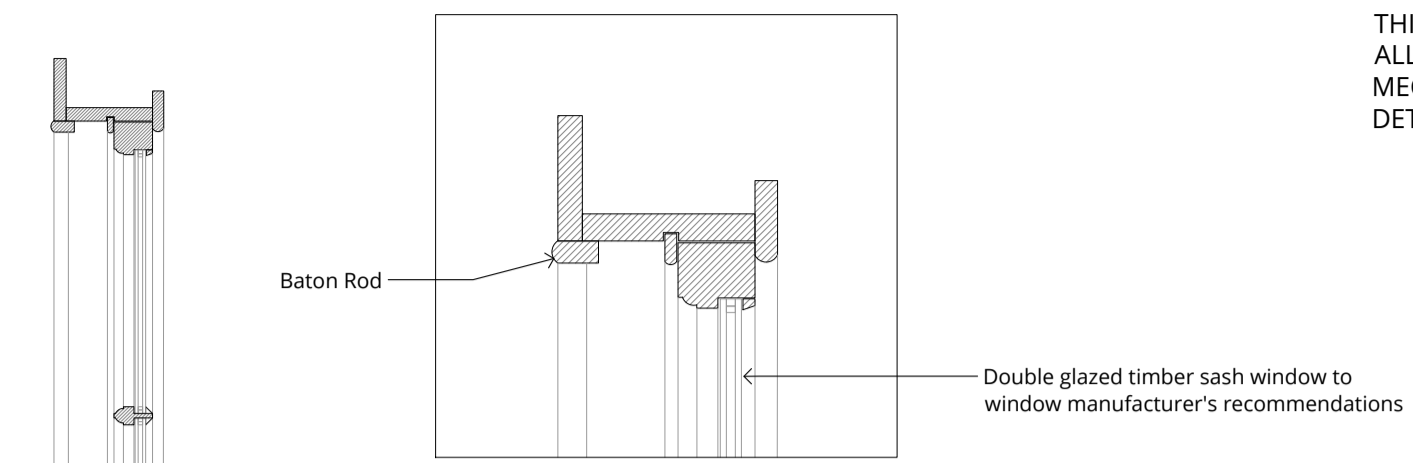
3B Glazing bar detail  
1:5



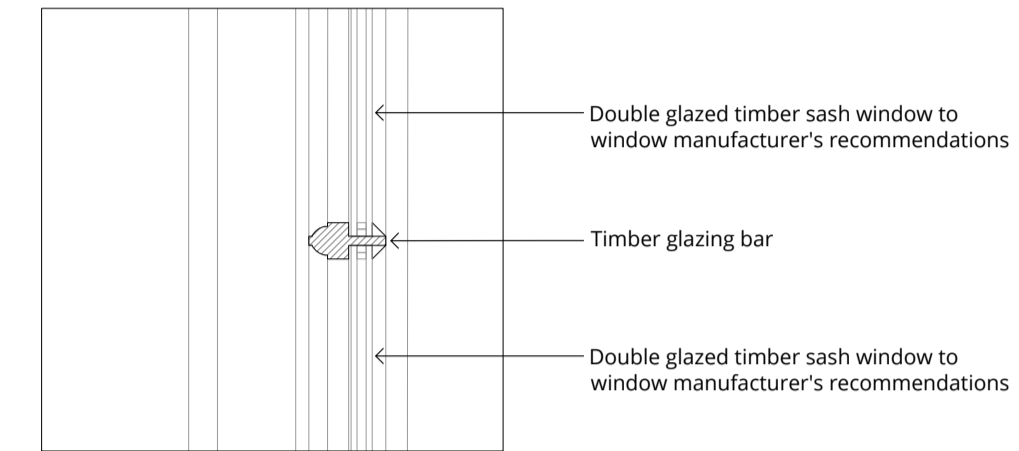
3C Jamb detail  
1:5



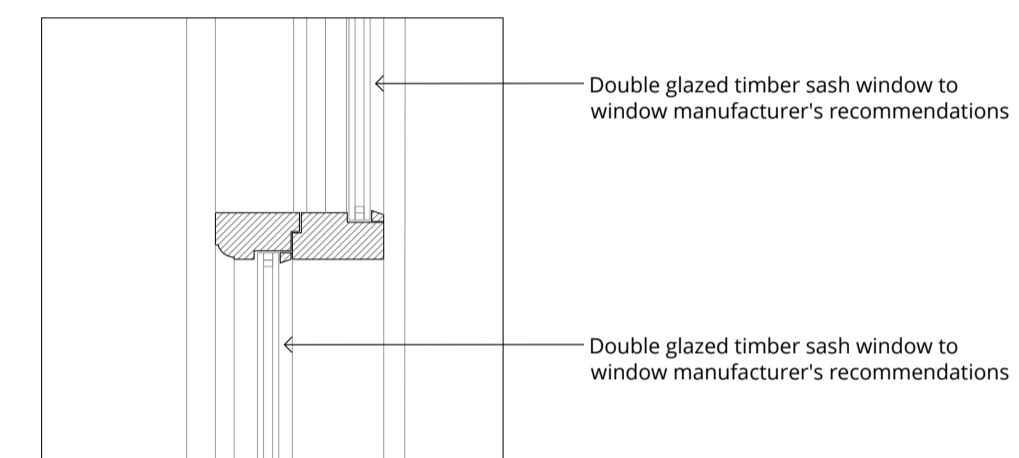
Proposed Sash Window - Window type 4  
Scale 1:10



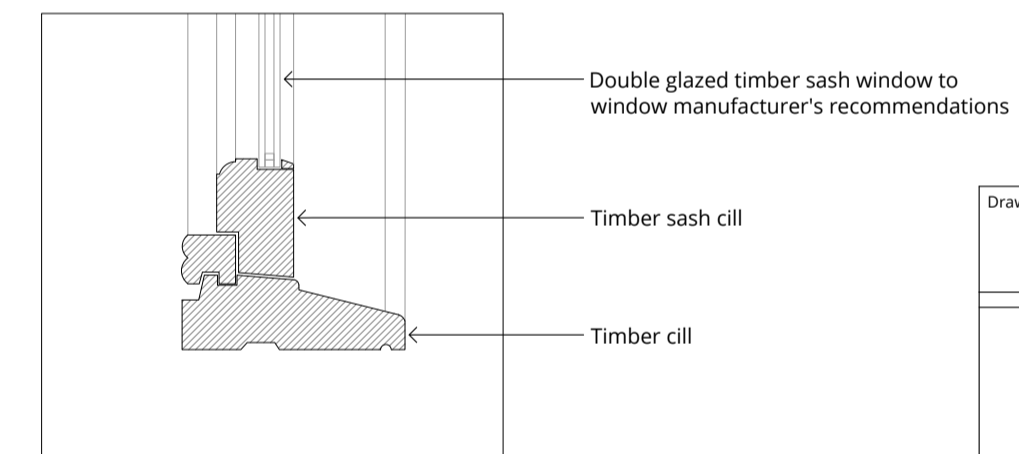
4G Head detail  
1:5



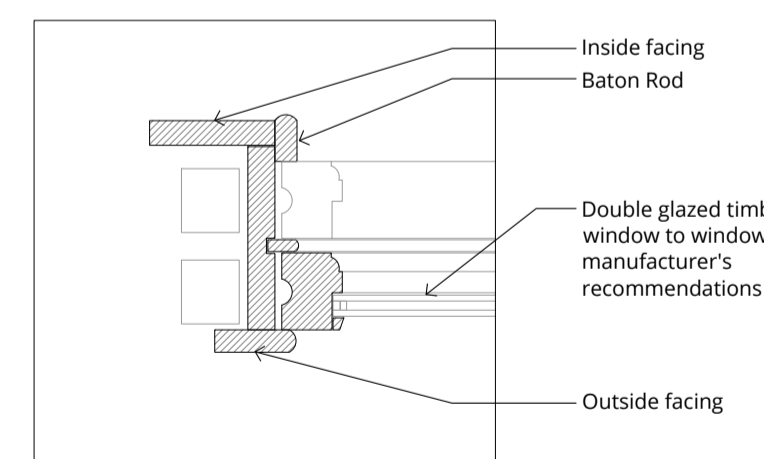
4F Glazing bar detail  
1:5



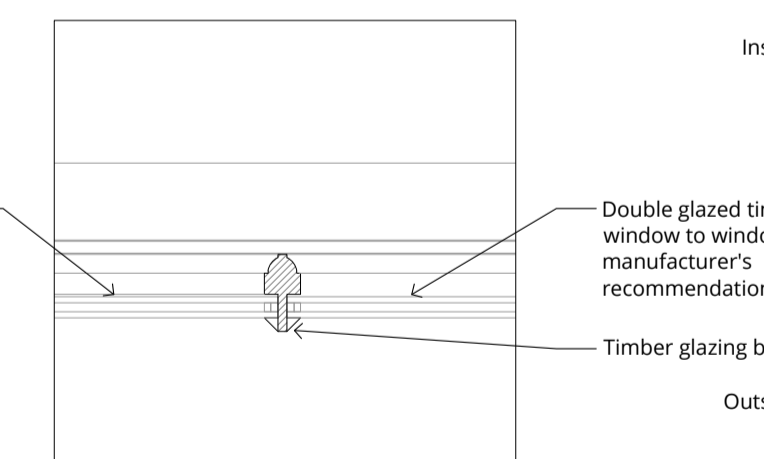
4E Transom detail  
1:5



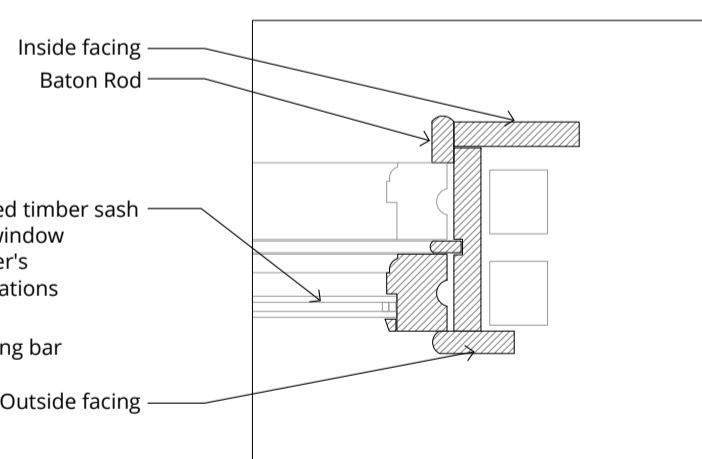
4D Cill detail  
1:5



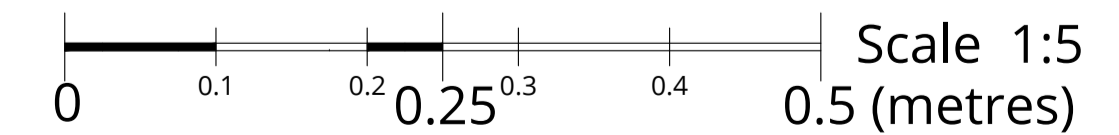
4A Jamb detail  
1:5



4B Glazing bar detail  
1:5



4C Jamb detail  
1:5



Drawing Status:			
<b>PLANNING</b>			
####	#####	#####	####
Rev	Description	Date	By

**Barker** MAJESTY HOUSE, AVENUE WEST  
SKYLINE 120, BRAINTREE  
ESSEX, CM77 7AA  
T: 01279 647111  
W: www.barker-associates.co.uk  
E: mail@barker-associates.co.uk

Client: HARLOW COUNCIL

Project Title:  
45 SUMNERS FARM CLOSE  
HARLOW, ESSEX  
CM19 5SL

Drawing Title:  
PROPOSED WINDOWS DETAILS

Drawn	Checked	Scale	Date
JM	-	1/20 @ A1	26/06/2023

**ARCHITECTURAL**

Drawing Number	Status	Revision
P23617-BA-A1-XX-DR-A-6001	S0	P01