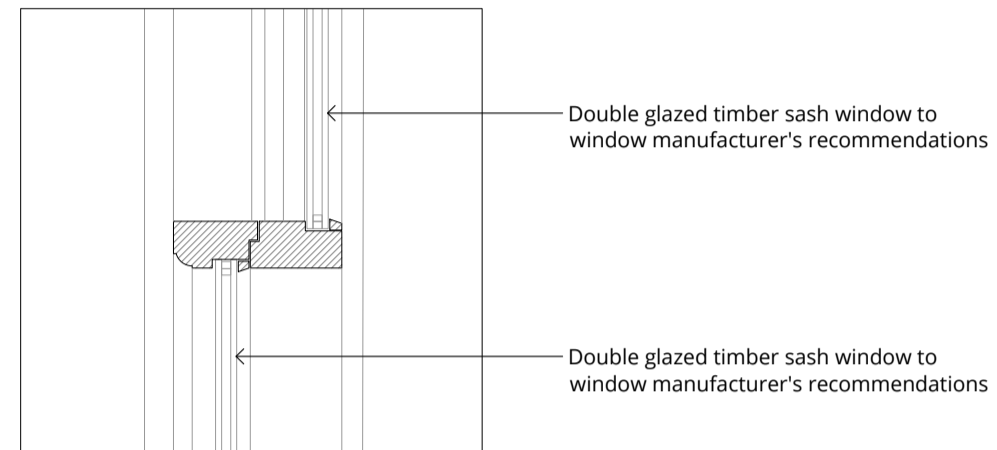
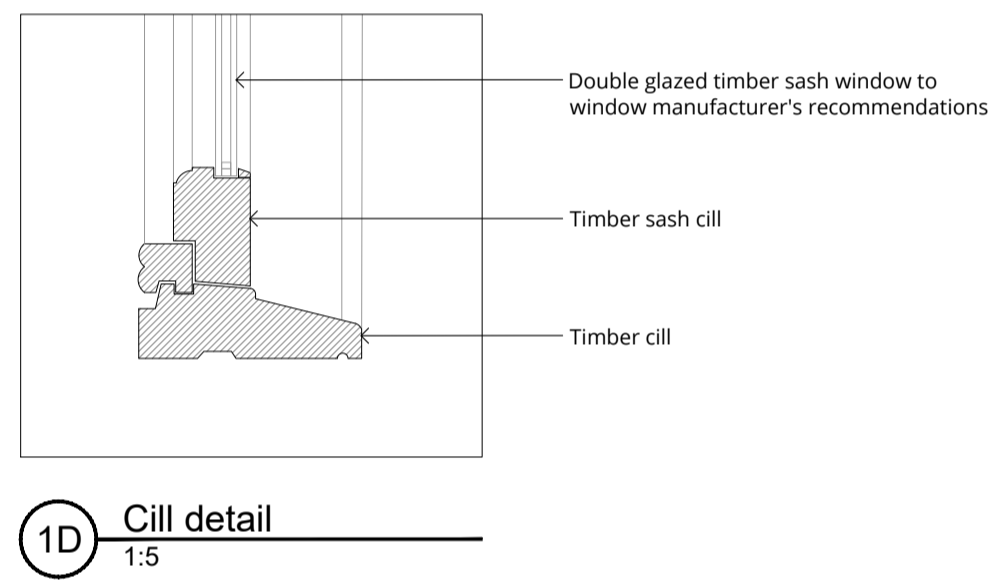


1F Head detail
1:5

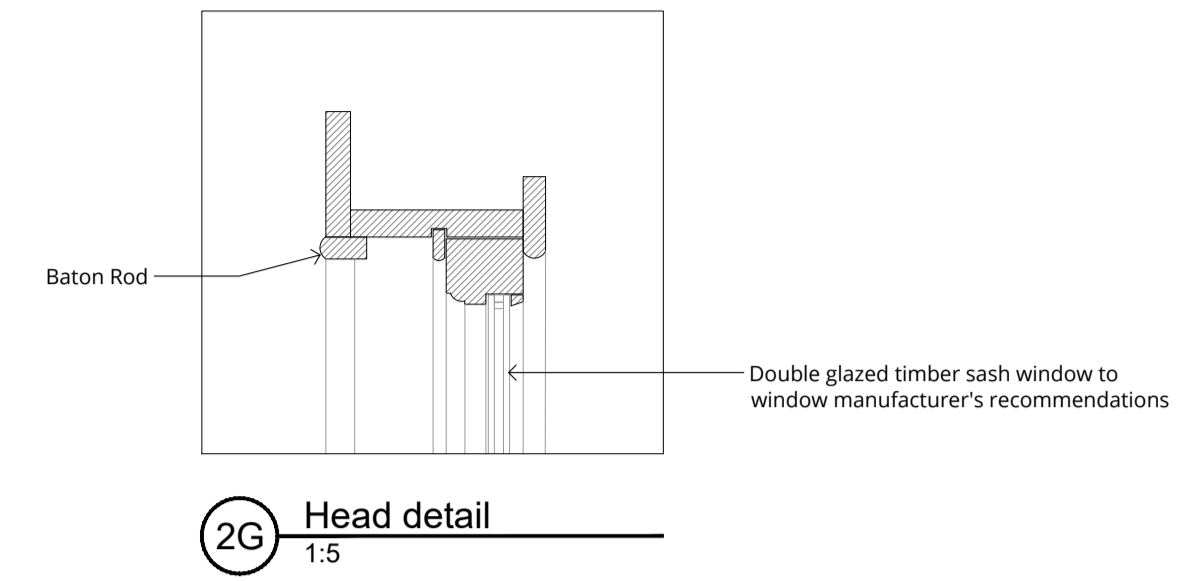
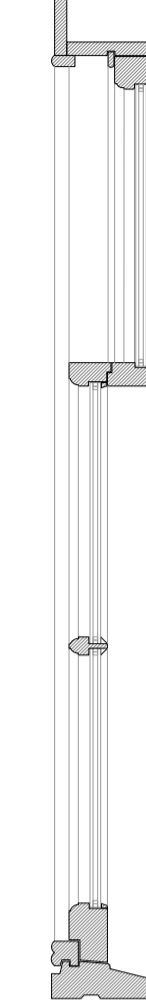
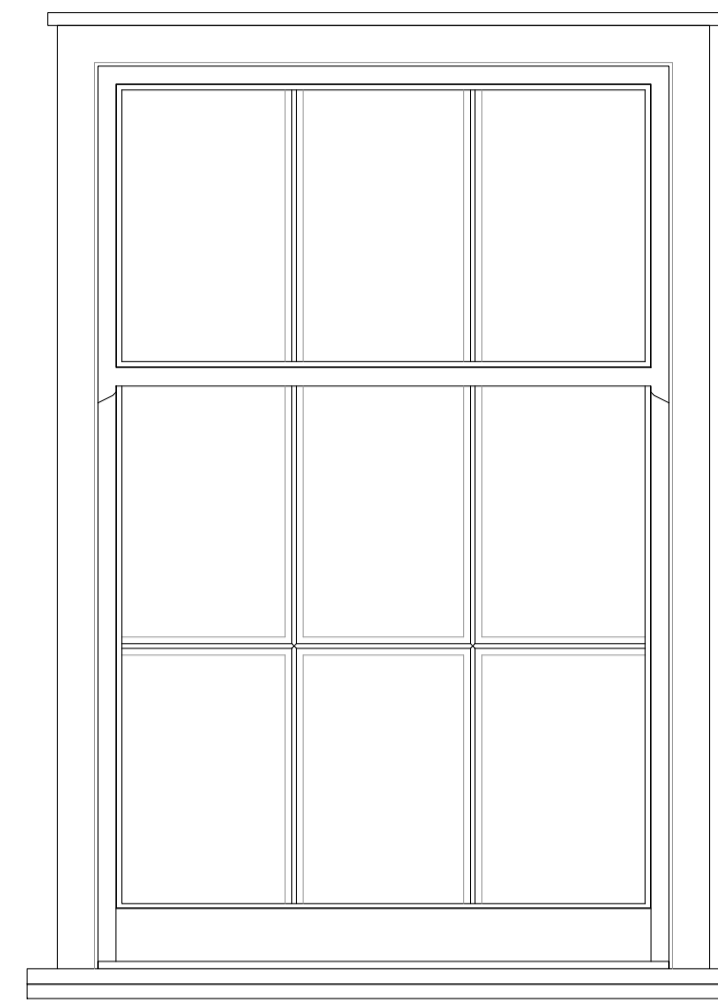


1E Transom detail
1:5

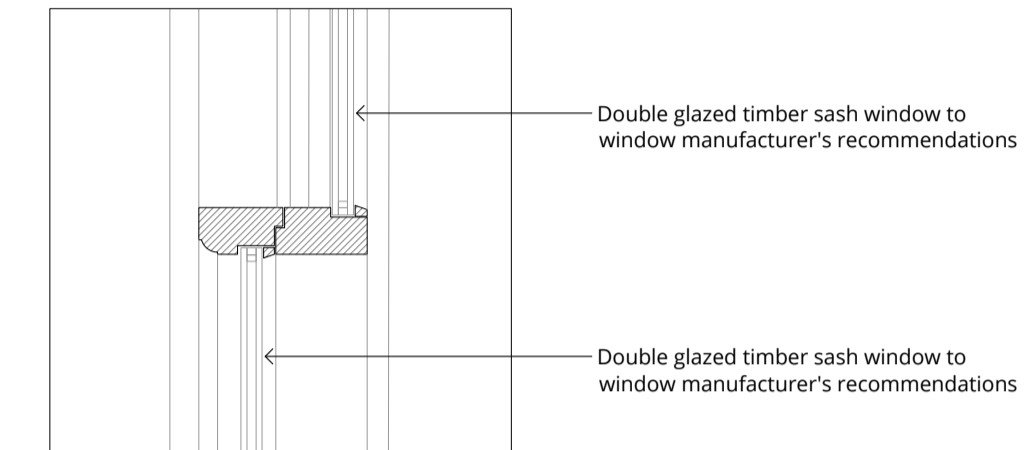


1D Cill detail
1:5

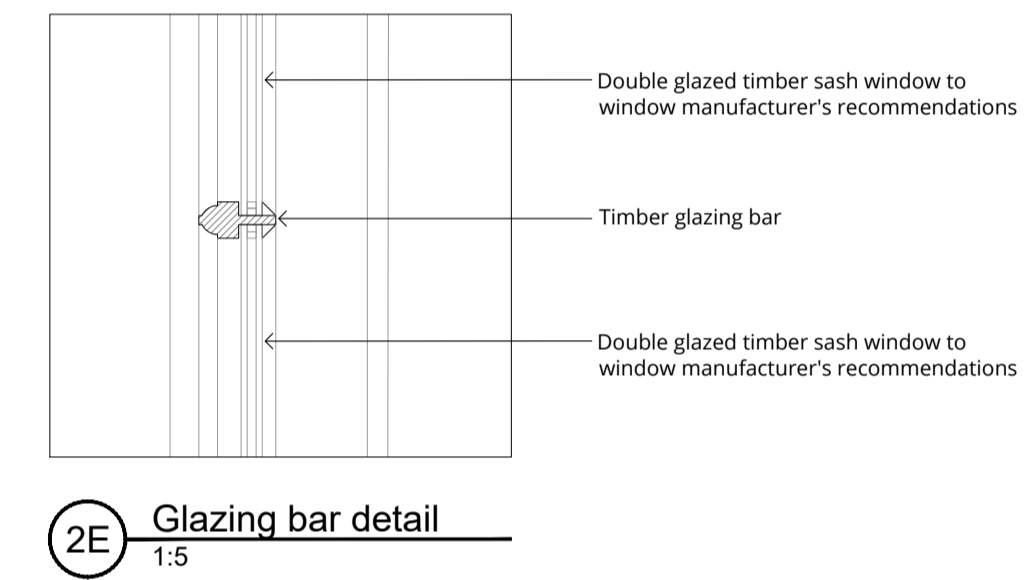
Proposed Sash Window - Window type 1
Scale 1:10



2G Head detail
1:5

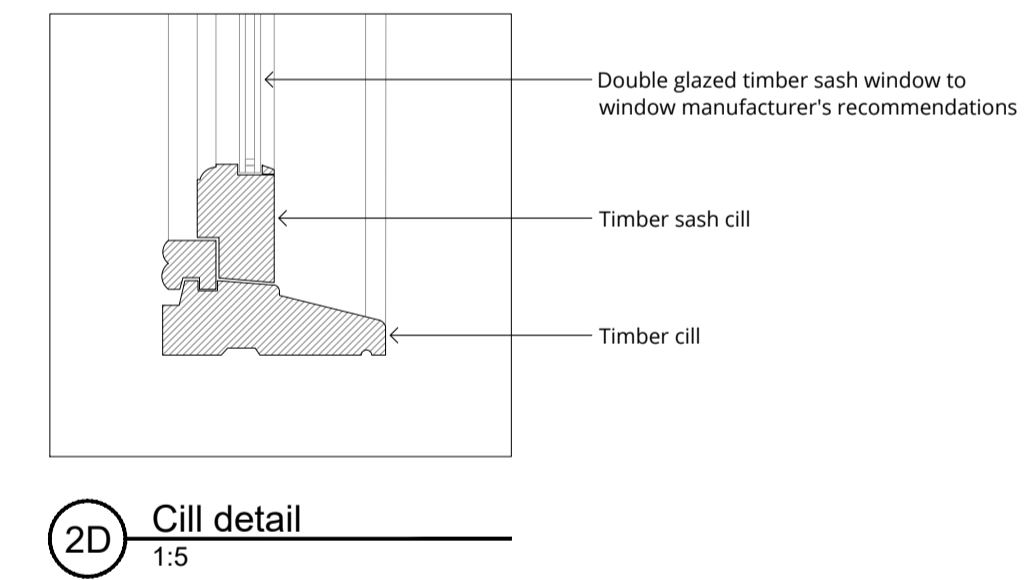


2F Transom detail
1:5

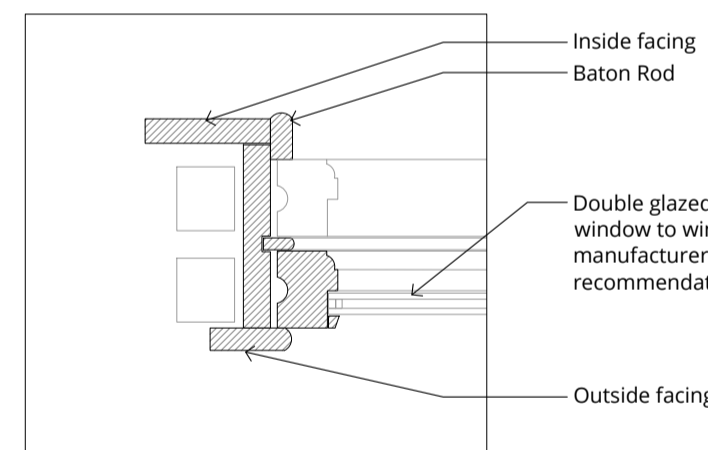


2E Glazing bar detail
1:5

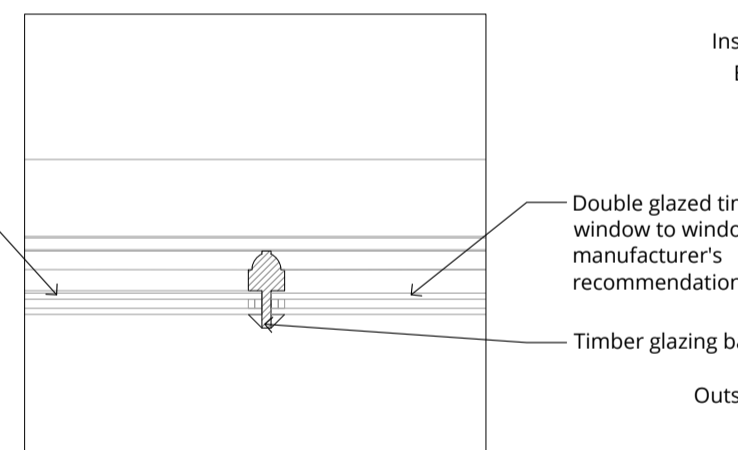
Proposed Sash Window - Window type 2
Scale 1:10



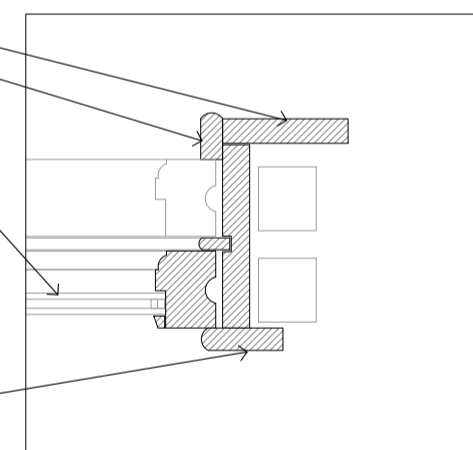
2D Cill detail
1:5



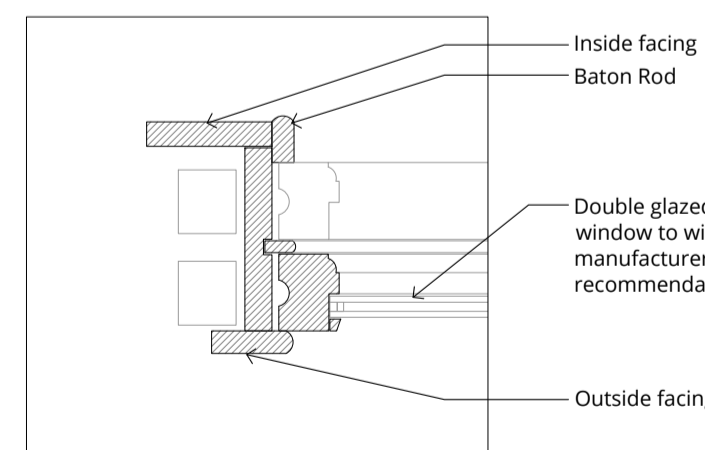
1A Jamb detail
1:5



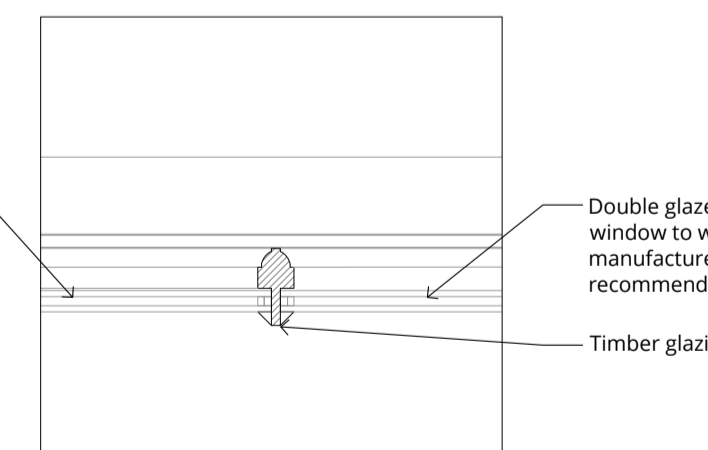
1B Glazing bar detail
1:5



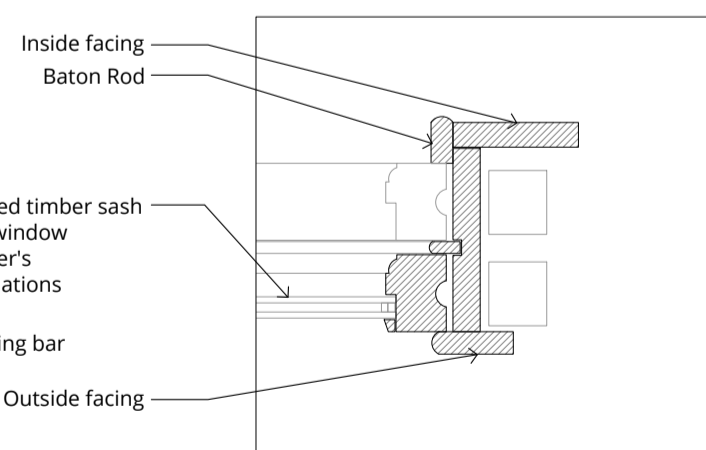
1C Jamb detail
1:5



2A Jamb detail
1:5



2B Glazing bar detail
1:5



2C Jamb detail
1:5

Drawing Status: **PLANNING**

Rev	Description	Date	By

Barker MAJESTY HOUSE, AVENUE WEST
SKYLINE 120, BRAINTREE
ESSEX, CM77 7AA
T: 01279 647111
W: www.barker-associates.co.uk
E: mail@barker-associates.co.uk

Client: **HARLOW COUNCIL**

Project Title:
**45 SUMNERS FARM CLOSE
HARLOW, ESSEX
CM19 5SL**

Drawing Title:
PROPOSED WINDOWS DETAILS

Drawn	Checked	Scale	Date
JM	-	1/20 @ A1	14/06/2023

ARCHITECTURAL

Drawing Number	Status	Revision	Project No
P23617-BA-A1-XX-DR-A-6000	S0	P01	P23-0617

