

# Palethorpes Bakery

Project  
**Proposed New Security Gate House Project**

Drawing Title  
**Proposed Plan & Elevations of Temporary Security Gate House**

Scale  
**1:50 @ A2**

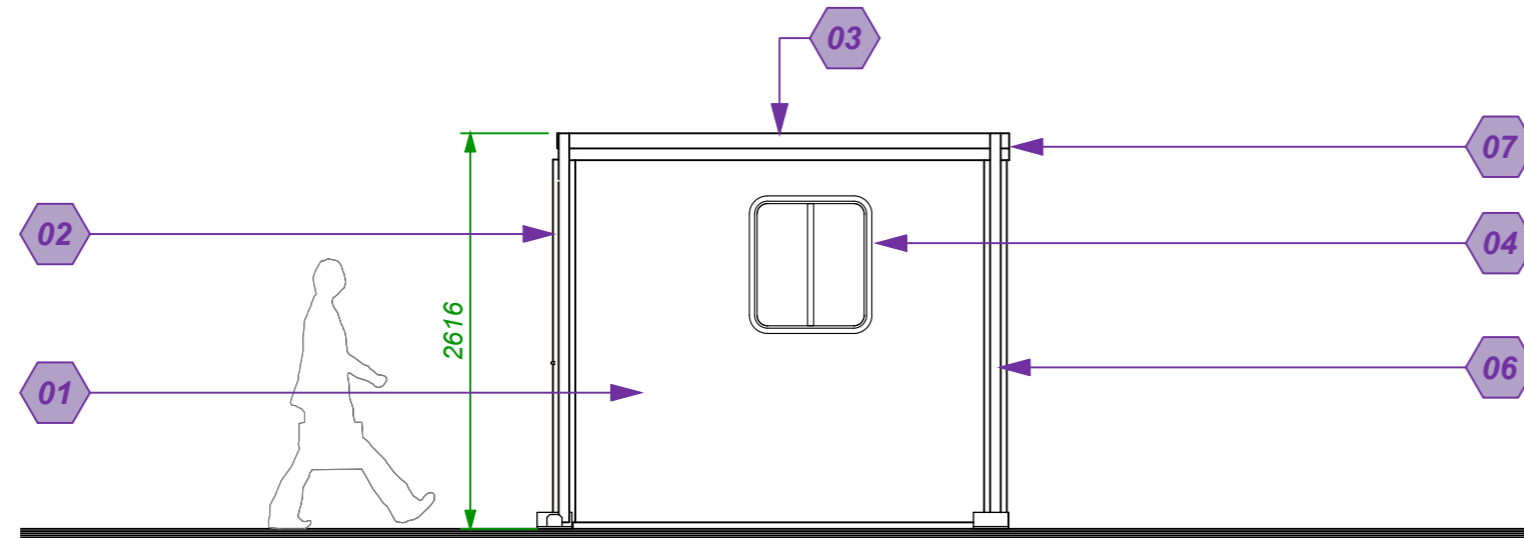
Date  
**November 2023**

Drawing No.  
**cd4031**

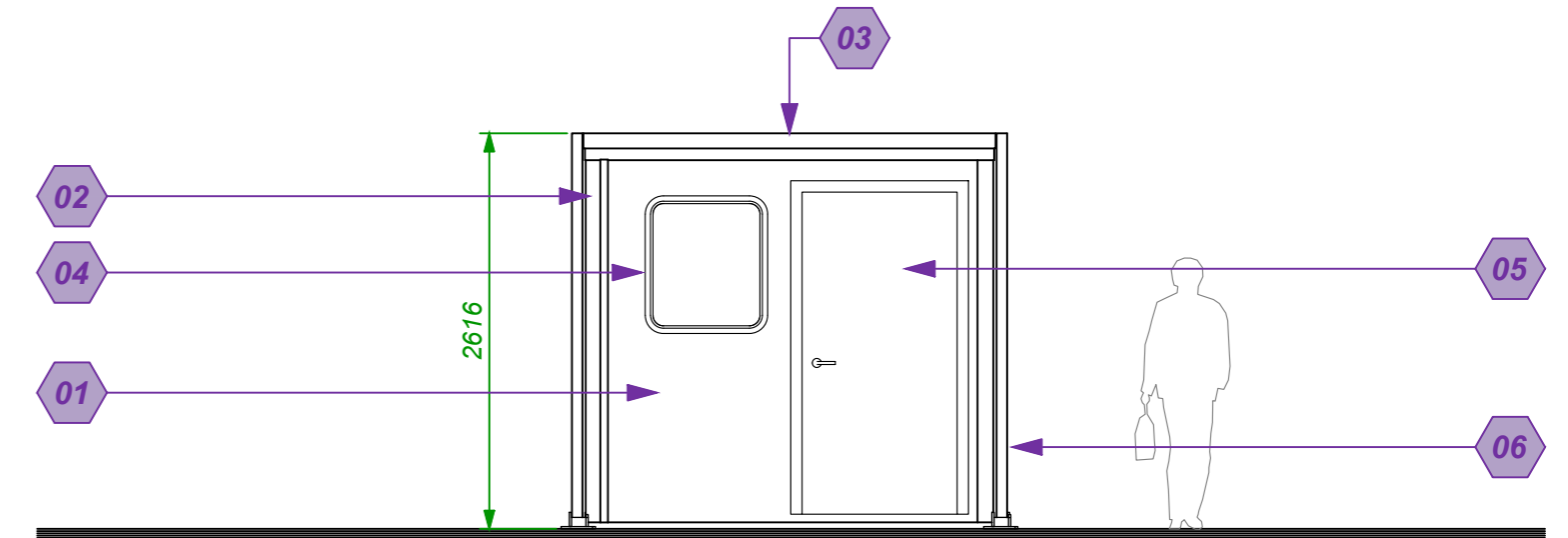
Revision

**MATERIAL LIST**

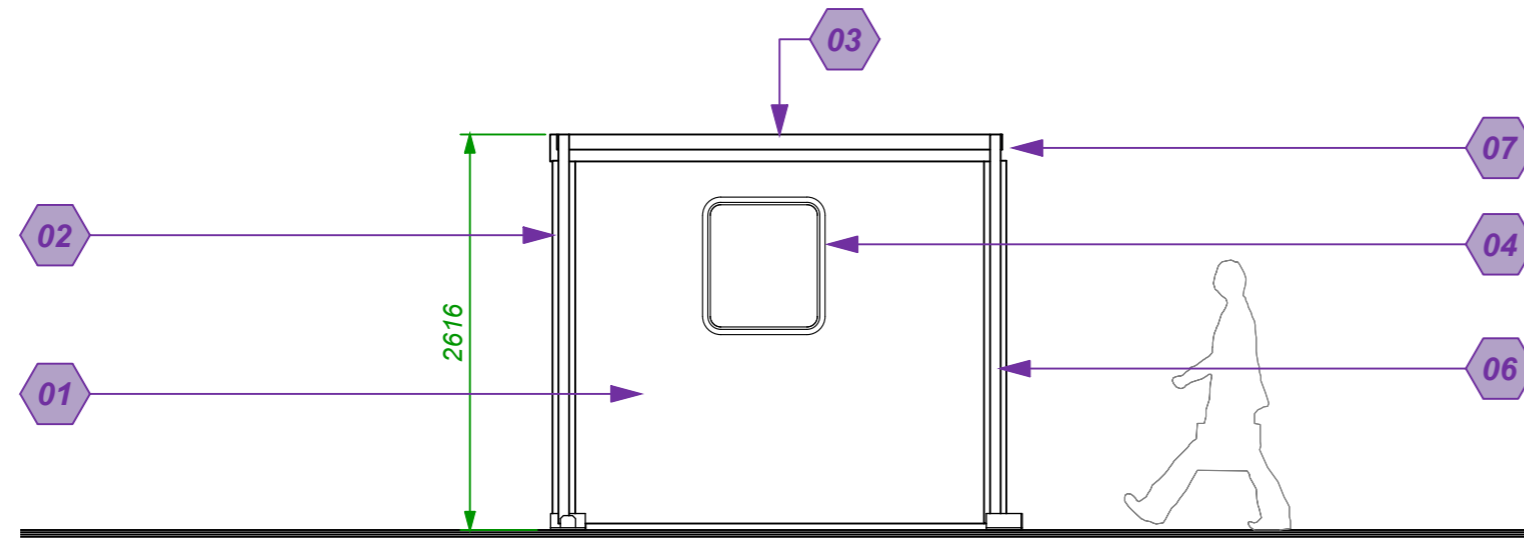
- 01 External Walls & Wall Trims**  
Portakabin walls, colour goosewing grey nearest BS ref 1-0 A 05.
- 02 Corner Trims**  
Aluminium trims, colour silver.
- 03 Roof**  
Metal deck - colour white nearest BS 4800 ref E 055.
- 04 External Windows**  
Aluminum framed double glazed windows, colour blue foil wrapped ref. Renolot - Werke GmbH 515005-167.
- 05 External Door**  
Aluminium framed door, colour goosewing grey nearest BS ref 1-0 A 05.
- 06 Lodastrut Legs**  
Metal colums, colour grey BS 4800 ref 00 E 55
- 07 Fascia**  
Metal coted fascia, colour grey RAL 7042.



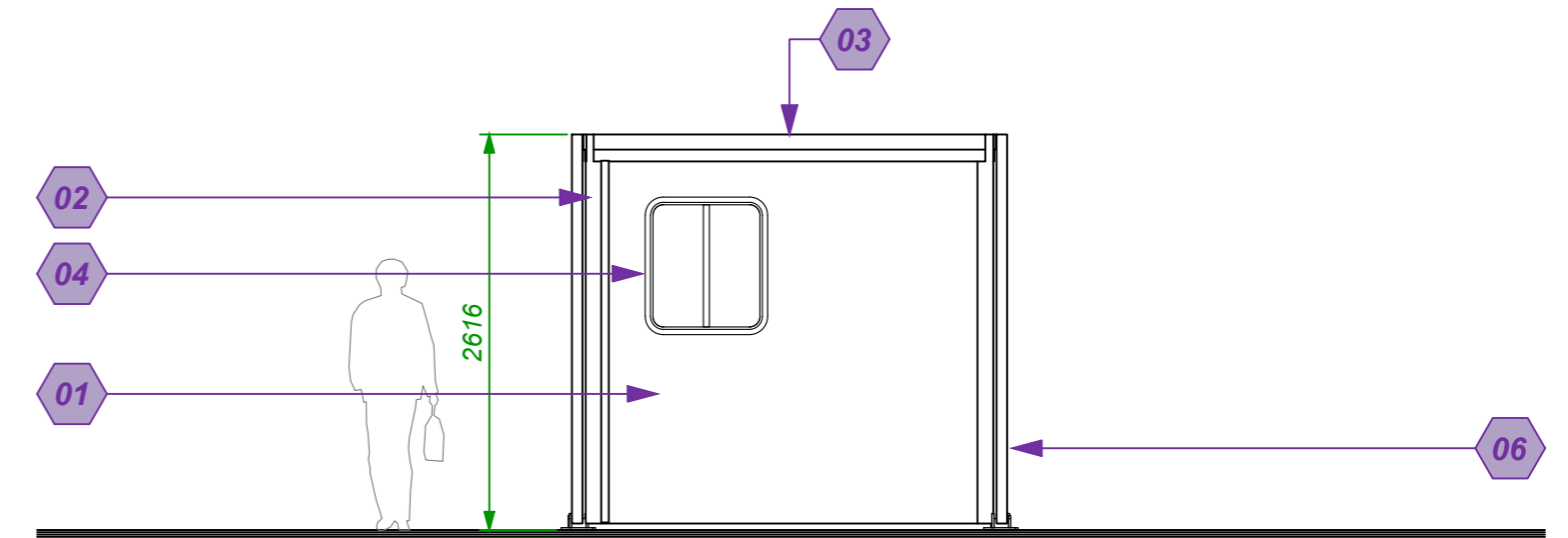
**ELEVATION A (North) - scale 1:50**



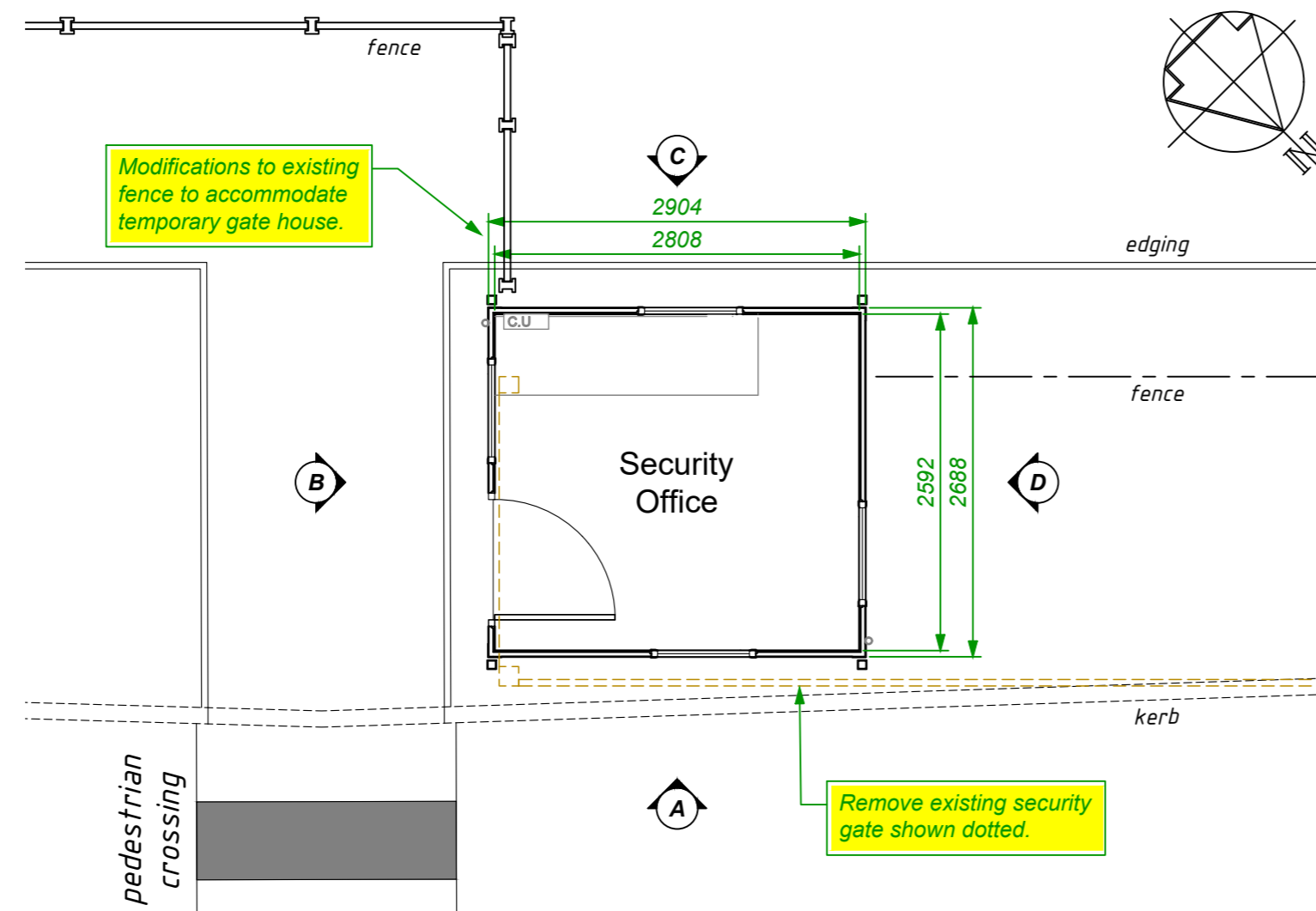
**ELEVATION B (East) - scale 1:50**



**ELEVATION C (South) - scale 1:50**



**ELEVATION D (West) - scale 1:50**



**PLAN- scale 1:50**



Scale Bar (m)