

Palethorpes Bakery

Project
Proposed New Security Gate House Project

Drawing Title
Existing Plan & Elevations of Security Gate House

Scale
1:50 @ A2

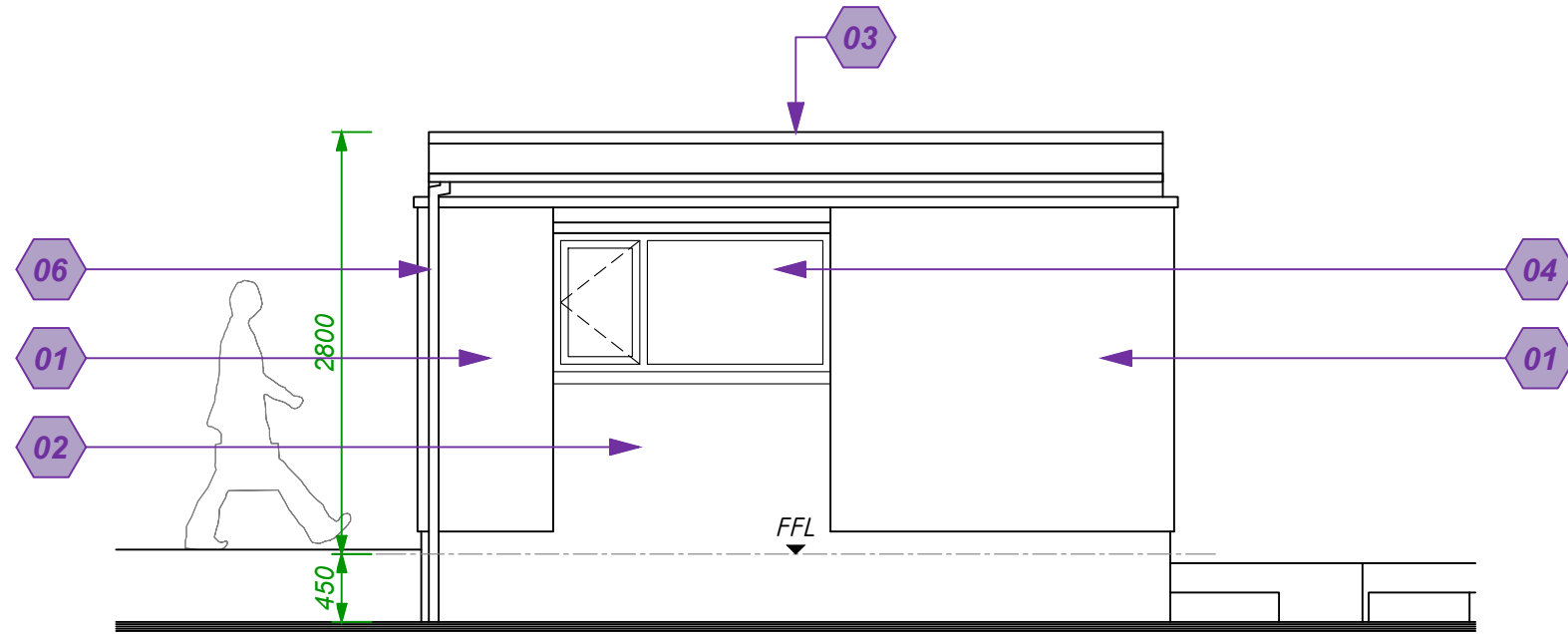
Date
November 2023

Drawing No.
cd4028

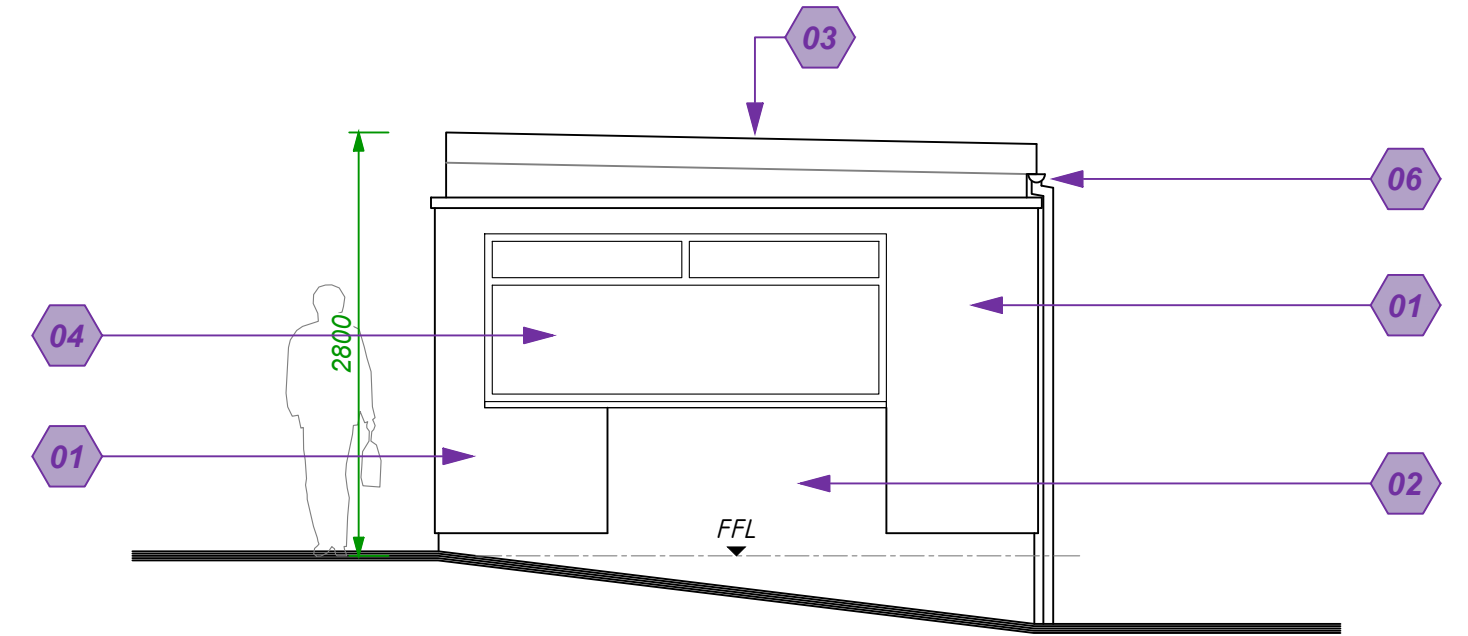
Revision

MATERIAL LIST

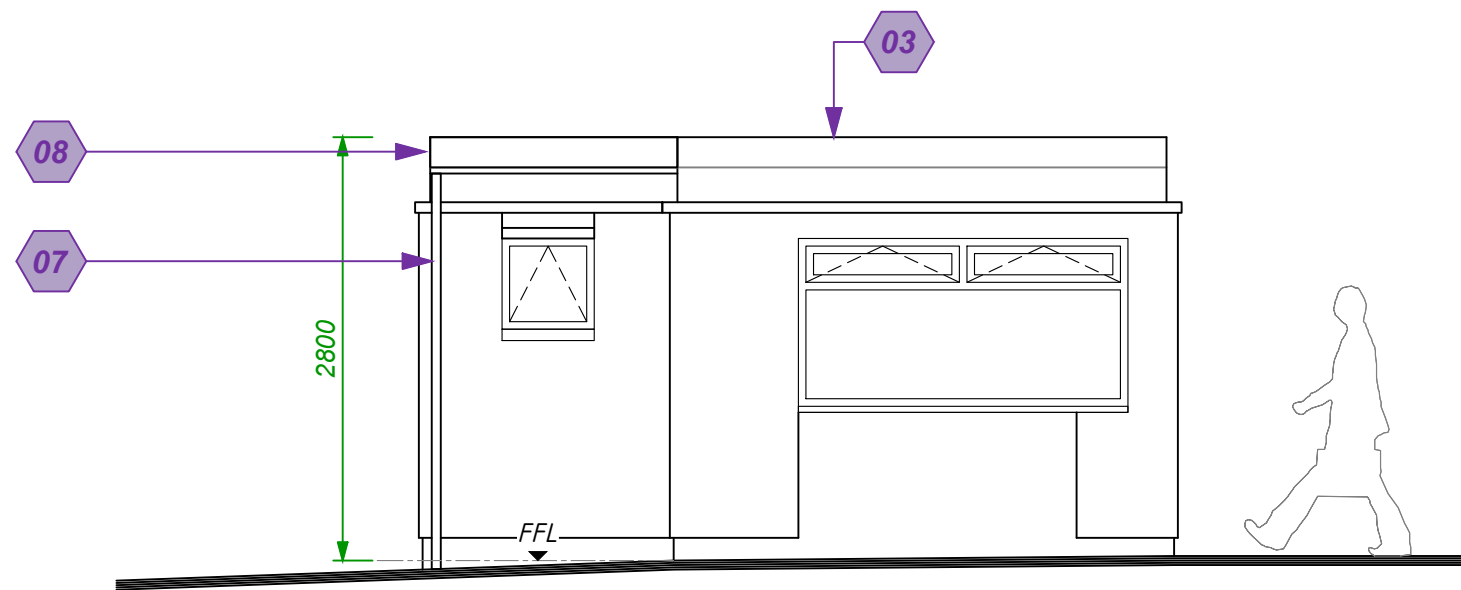
- 01 External Walls**
Facing brickwork, colour light brown.
- 02 External Walls**
Facing brickwork, colour dark brown.
- 03 Roof**
Roofing felt complete with metal cladded fascia boards & trim, colour dark brown.
- 04 External Windows**
Aluminum framed double glazed windows, colour white.
- 05 External Door**
Timber framed doors & frame, colour dark brown painted door & white painted frame.
- 06 Gutters & Rainwater Pipes**
Plastic gutters & rainwater pipes, colour dark brown.
- 07 Entrance Canopy Support Column**
Mild steel column, colour yellow
- 08 Entrance Canopy**
Metal cladded roof & fascia to match roof fascia, colour dark brown.



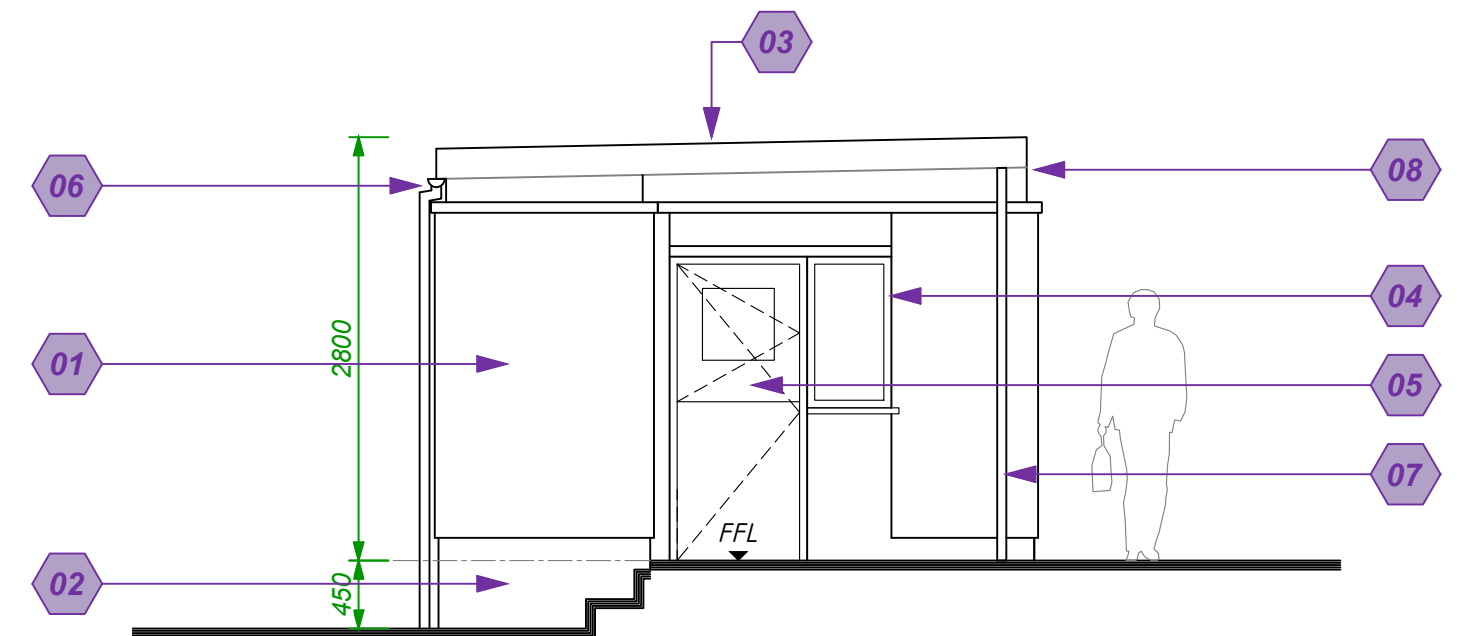
ELEVATION A (North) - scale 1:50



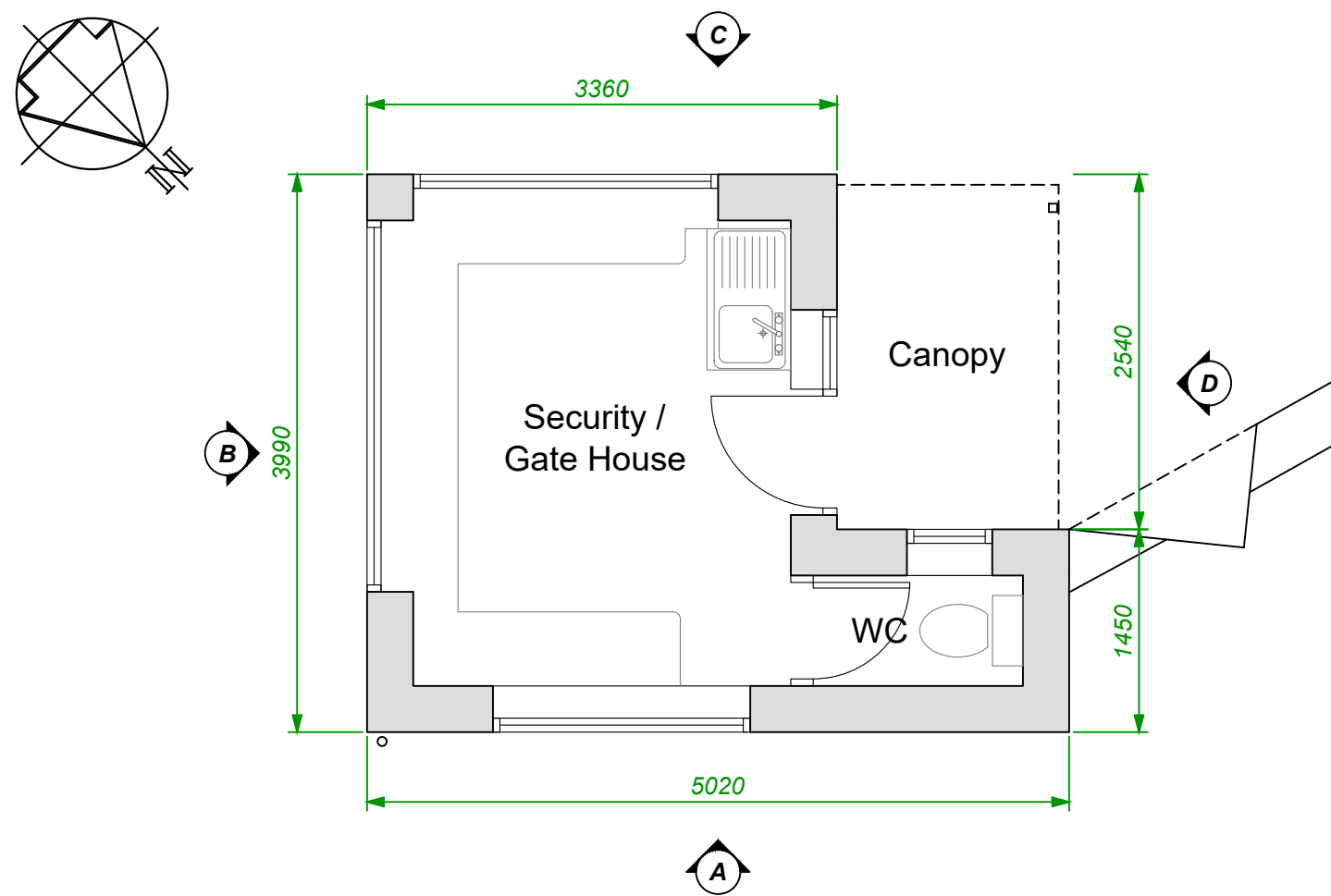
ELEVATION B (East) - scale 1:50



ELEVATION C (South) - scale 1:50



ELEVATION D (West) - scale 1:50



PLAN- scale 1:50



Photograph from Site Entrance Road off Maer Lane

