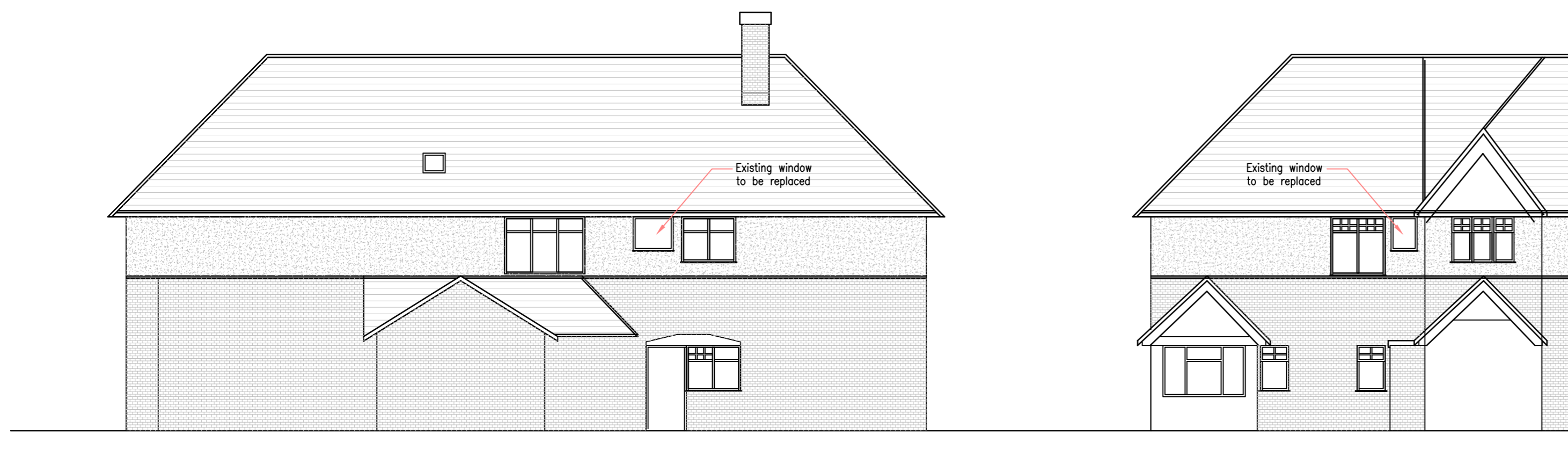


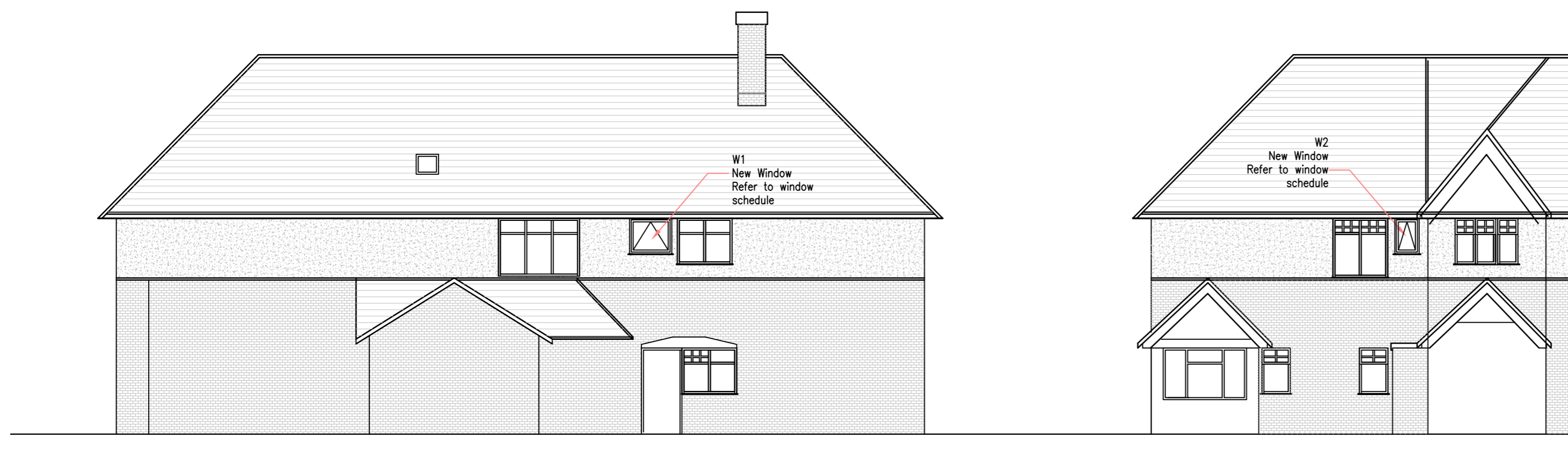
DO NOT SCALE

1.1 ALL DIMENSIONS ARE IN MILLIMETRES  
(UNLESS STATED OTHERWISE)



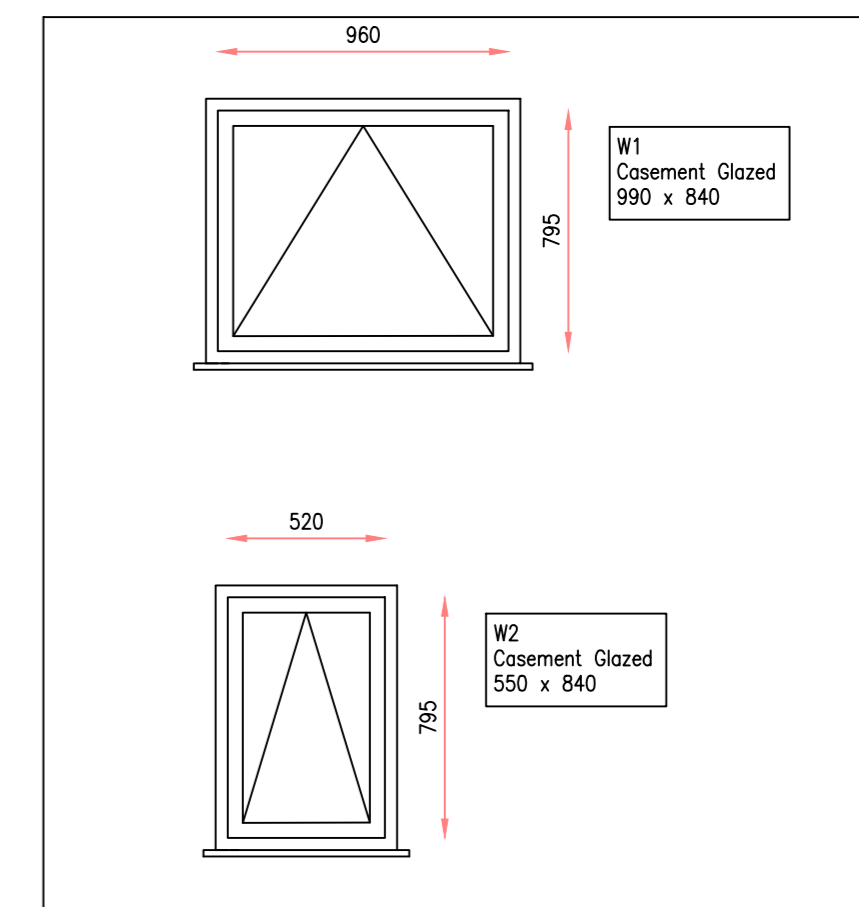
**EXISTING ELEVATIONS**

Scale 1:100 - Sheet A2



**PROPOSED ELEVATIONS**

Scale 1:100 - Sheet A2



**WINDOW SCHEDULE**

Scale 1:25



1 : 100 @ A2

DRAWING STATUS:  
FOR PLANNING APPLICATION

REV	DATE	BY	DESCRIPTION	CHK	APP

CLIENT:

PROJECT:

30 PINWOOD ROAD, BRANKSOME  
PARK, POOLE, DORSET BH13 6JS

TITLE:

EXISTING AND PROPOSED ELEVATIONS

SCALE @ A2:

1:50

CHECKED:

APPROVED:

PROJECT No:

2023.001

DESIGNED:

DRAWN:

JH

DATE:

MARCH 2022

DRAWING No:

GA-001

REV:

P01