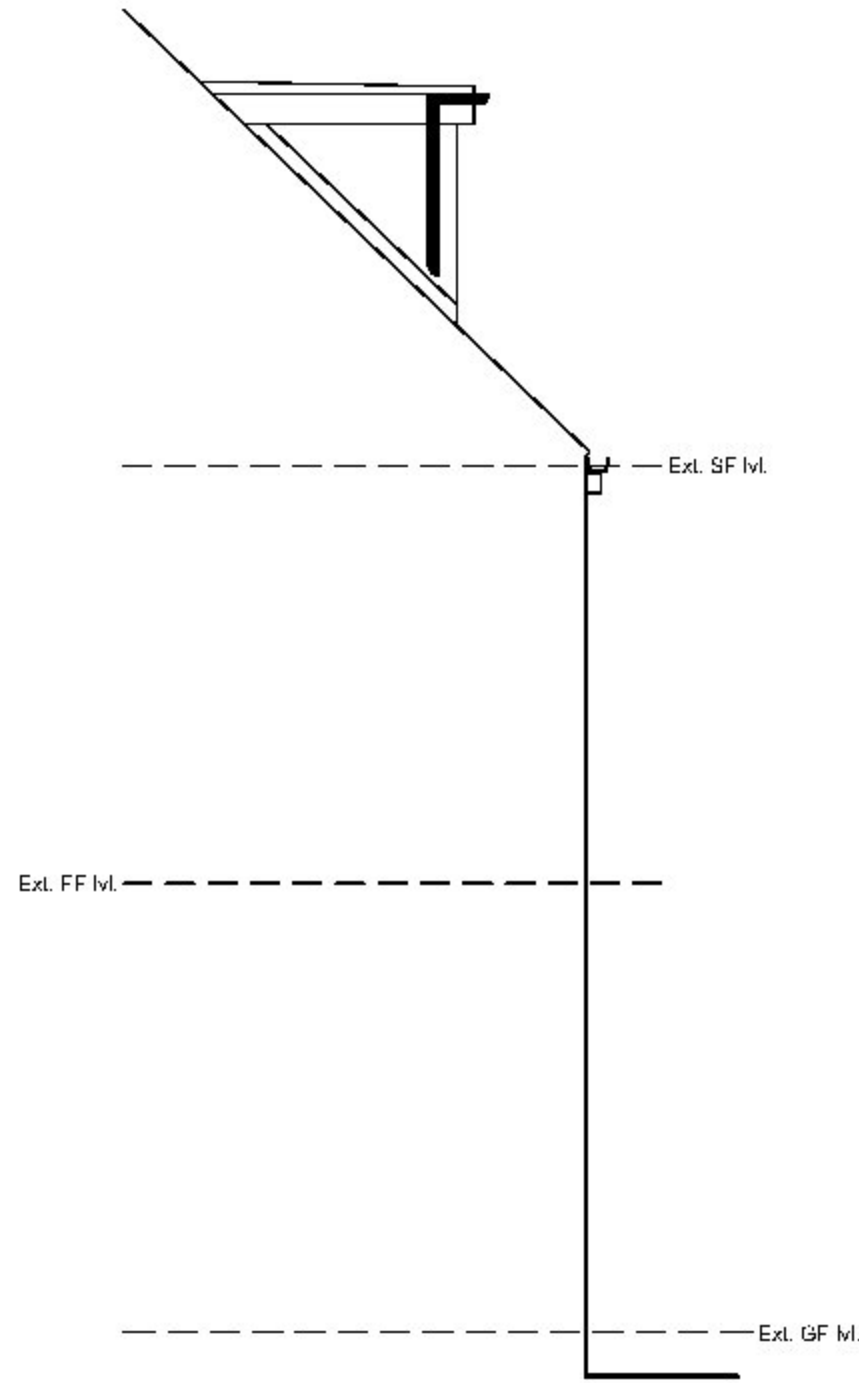


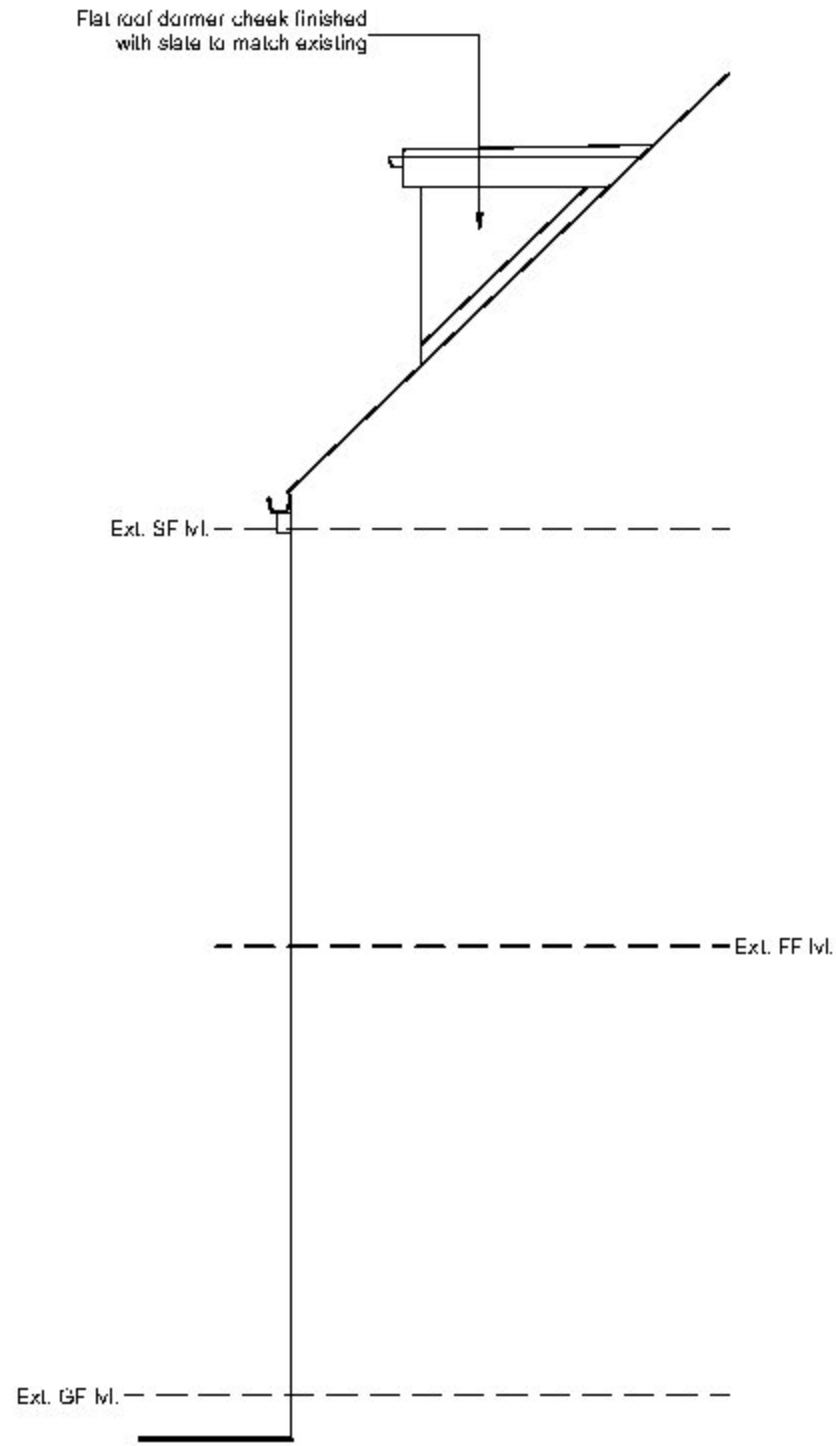
RAINWATER GOODS

Install uPVC rain water goods / gutters including all stop ends, outlets, union brackets etc. Gutters to have 65mm round downpipes, including offsets, barrel clips, sockets and shoes.

Ensure that gutters and fall pipes are securely fixed to sound substrate in accordance with manufacturer's recommendations and that gutters are laid to adequate falls and properly connected to fall pipes. Clean, wash down and ensure all gutters and outlets are watertight and unobstructed on completion.



PROPOSED SIDE ELEVATION



PROPOSED SIDE ELEVATION

NOTE:
CONTRACTOR TO VERIFY ALL SIZES ON SITE BEFORE COMMENCEMENT
PLEASE DO NOT SCALE FROM THIS DRAWING

NOTE:
PLEASE DO NOT SCALE FROM THIS DRAWING

Party Wall Act
Notices under the Party Wall Act are to be served by the building owner or appropriate body appointed by the building owner. For further clarification on the Party Wall etc Act 1996 contact Carm Wharf Consultancy Ltd
2 Boroughgate Off Bay Horse Court Otley LS21 1SB
M07739 575181
ow@carmwharf.com
For further information on the Party Wall etc Act 1996
<http://www.communities.gov.uk/documents/planningandbuilding/pdf/32214.pdf>

Building Contract
It is recommended that a formal written agreement is put in place between the building owner and the building contractor. A typical agreement that protects both owner and builder would be produced by the JCT.
For further information on building contracts contact Carm Wharf Consultancy Ltd
2 Boroughgate Off Bay Horse Court Otley LS21 1SB
M07739 575181
ow@carmwharf.com

CDM 2015 Regulations
The Construction (Design and Management) Regulations 2015 applies to all construction work. Designers, builders and Clients all have duties under the regulations.
For further information on the CDM 2015 Regulations contact Carm Wharf Consultancy Ltd
2 Boroughgate Off Bay Horse Court Otley LS21 1SB
M07739 575181
ow@carmwharf.com

GENERAL NOTES
Materials to match existing

These notes do not comprise a full specification. The drawings are for building regulation purposes only and are not working plans. They do not comprise of a complete specification for the whole of the works. Their primary function is to assist the local authority inspector to determine compliance in line with building regulation standards.


Where further clarifications are required contractor shall refer to the client for details and instruction.

All dimensions must be checked by the contractor and any discrepancies noted in writing to MAS Design Consultants Ltd.

All works must be carried out in accordance with current Building Regulations, Codes of Practice and Planning Officers requirements.

All materials must comply with current British Standards in situations used.

REV

 01943875398

www.masdesignconsultants.com
1 Oxford Street Garsley Leeds LS20 9AX

PROPOSED

EXTENT OF PROJECT:
PROPOSAL: PROPOSED FLAT ROOF DORMER WINDOW TO EXISTING SECOND FLOOR BEDROOM.

CLIENT DETAILS:
**MS A HARTLEY,
47 NORTH PARADE,
ILKLEY,
LS29 8JN.**

DRAWING TITLE:
PROPOSED SIDE ELEVATIONS.

PAPER	SCALE	DATE	DRAWING No	REV
A3	1:50	11/23	M4207/04/202	.