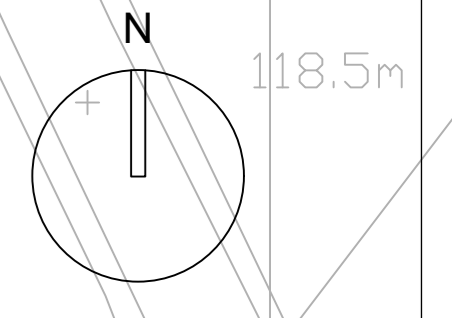


Proposed Holiday Lodge Park Development at Penstrowed Quarry, SY17 5SG
 Client: Mr Graham Grigg, GF Grigg Ltd. Penstrowed Quarry, Penstrowed, Caersws, Powys, SY17 5SG

Please note - all dimensions must be checked on site.
 1:500 @ A1



existing mature woodland / tree cover supplemented with buffer planting - please see detailed Landscape Design Scheme

77 Single Lodges
 12 Twin unit Lodges
 Total - 89 Lodges

Twin Car Space per pitch @ 2.5m x 5.00m

access drive - 2 way @ 4.5m wide

access drive - 2 way @ 4.5m wide

Footpath 6

access drive - 1 way @ 3.00m wide

existing mature woodland / tree cover supplemented with buffer planting - please see detailed Landscape Design Scheme

- Footpath 6**
- To be Removed
 - - - - - To be Retained
 - . - . - To be Created